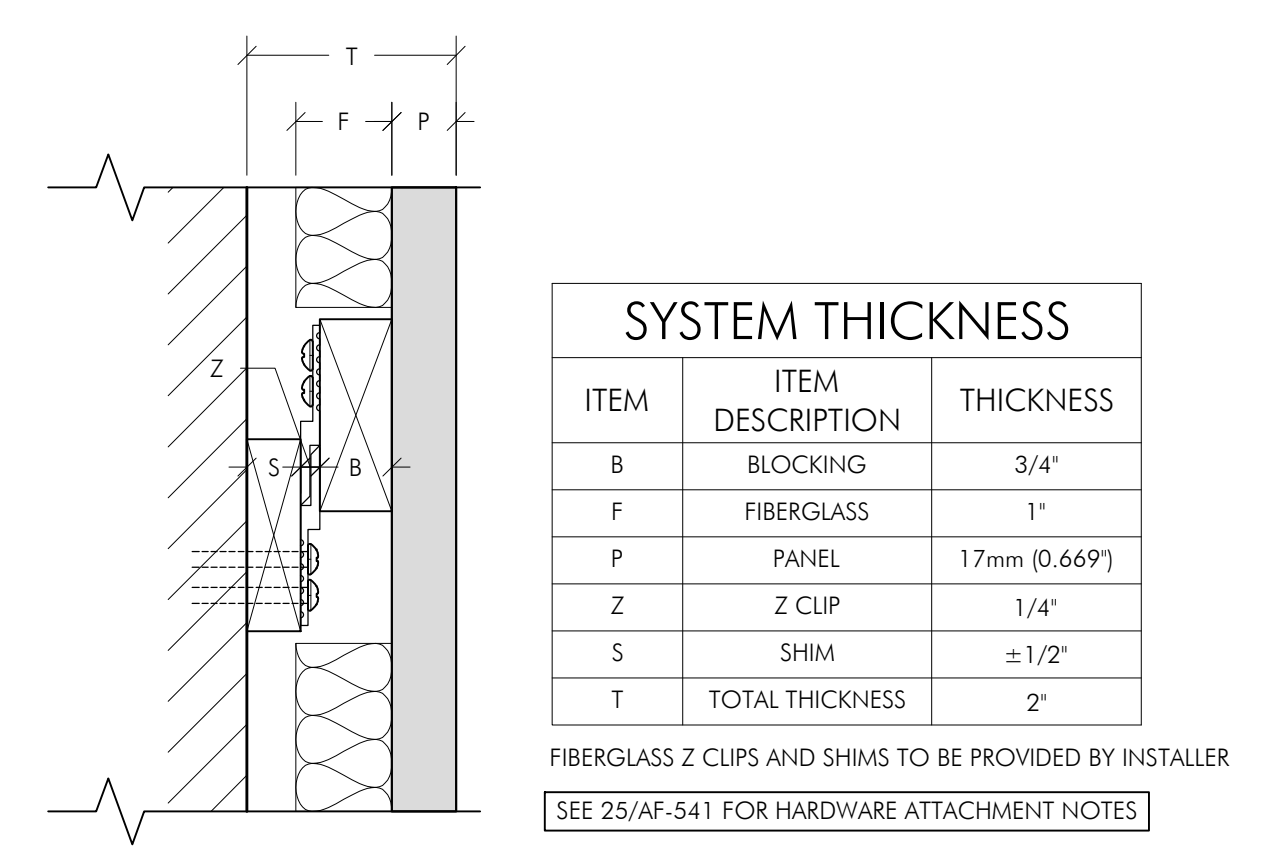
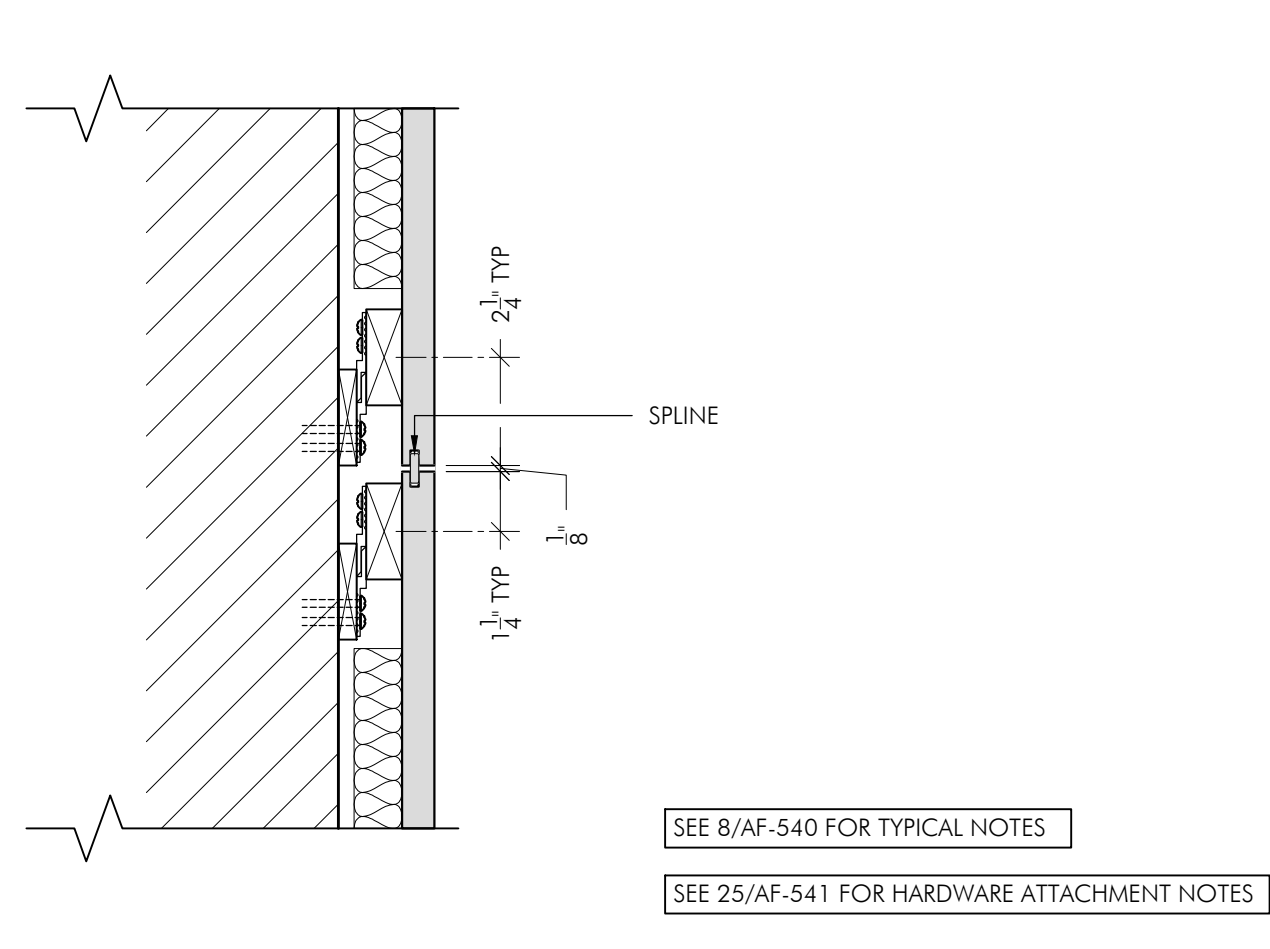


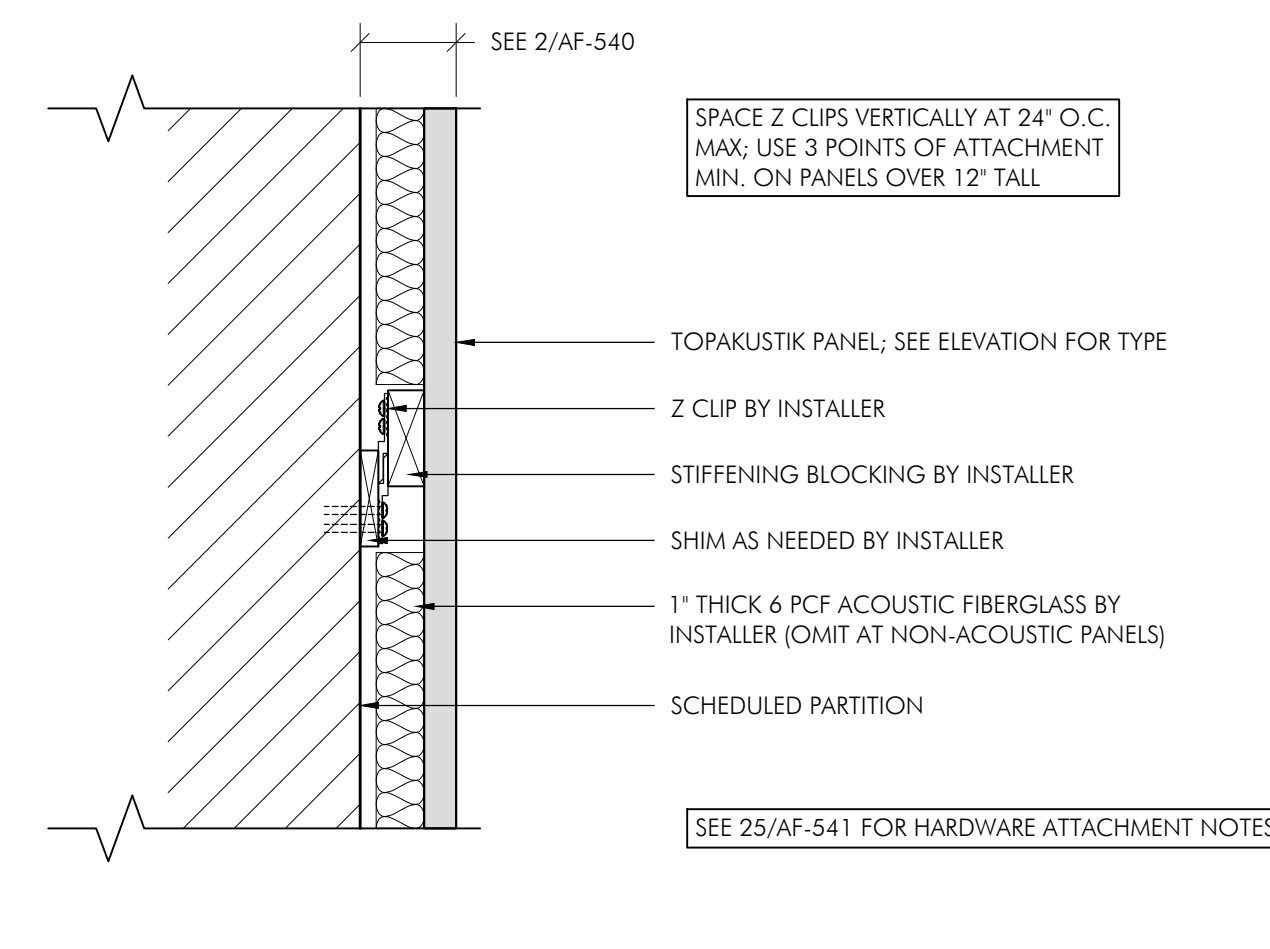
1 HEAD DETAIL - SECTION
SCALE: 3"=1'-0" REF:



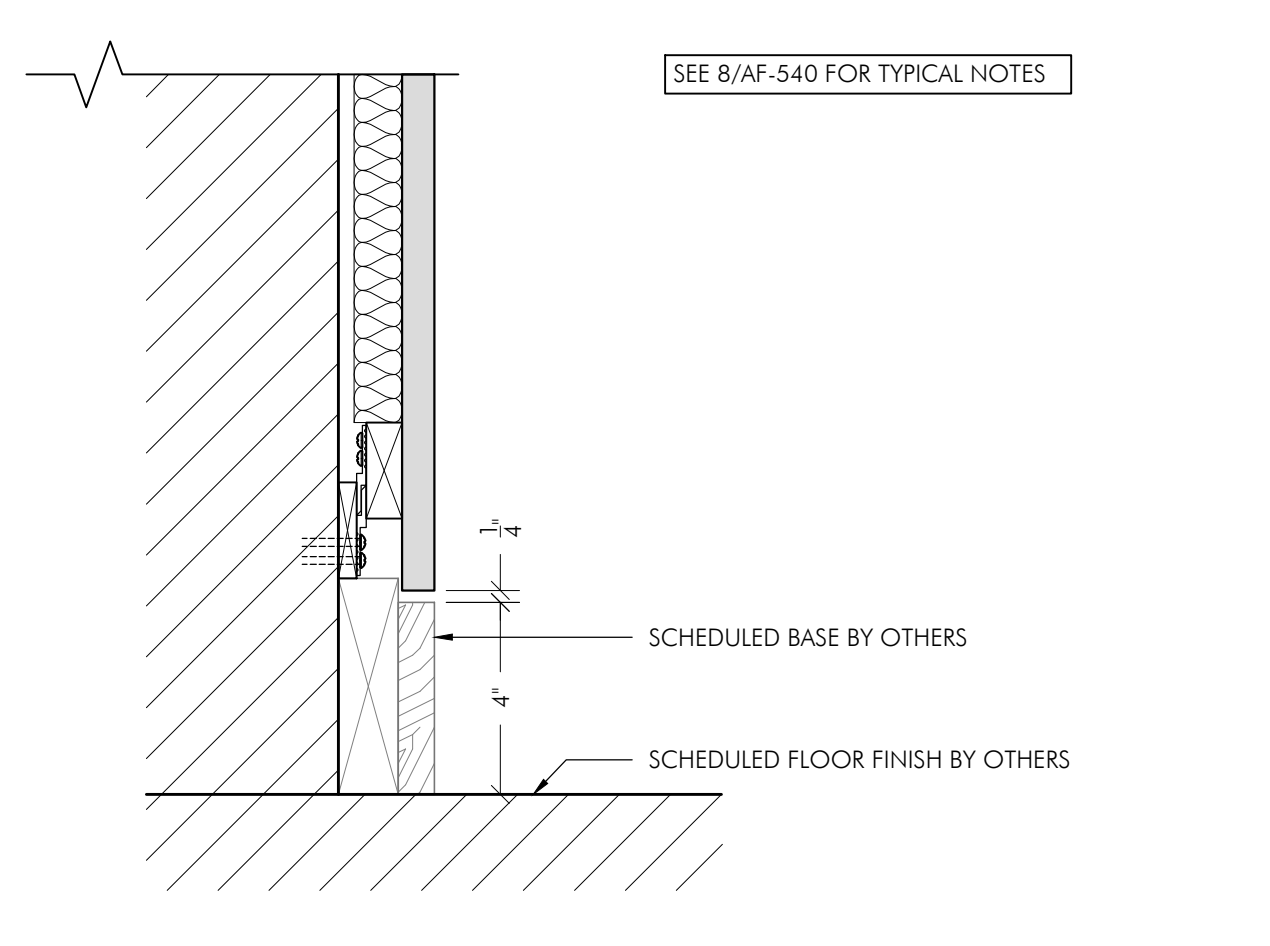
2 SYSTEM THICKNESS
SCALE: 6"=1'-0" REF: 8/AF-540



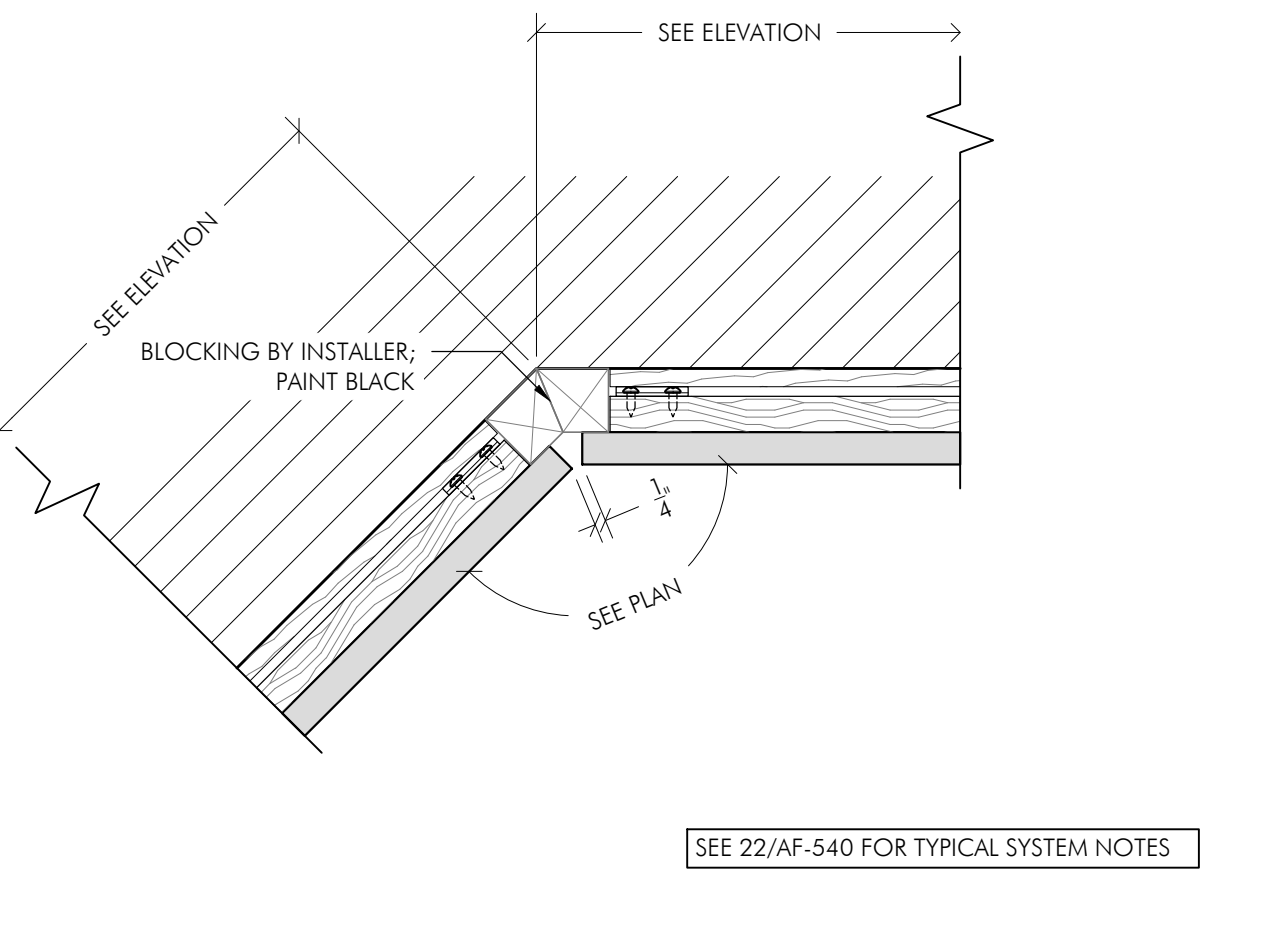
7 REVEAL - SECTION
SCALE: 3"=1'-0" REF:



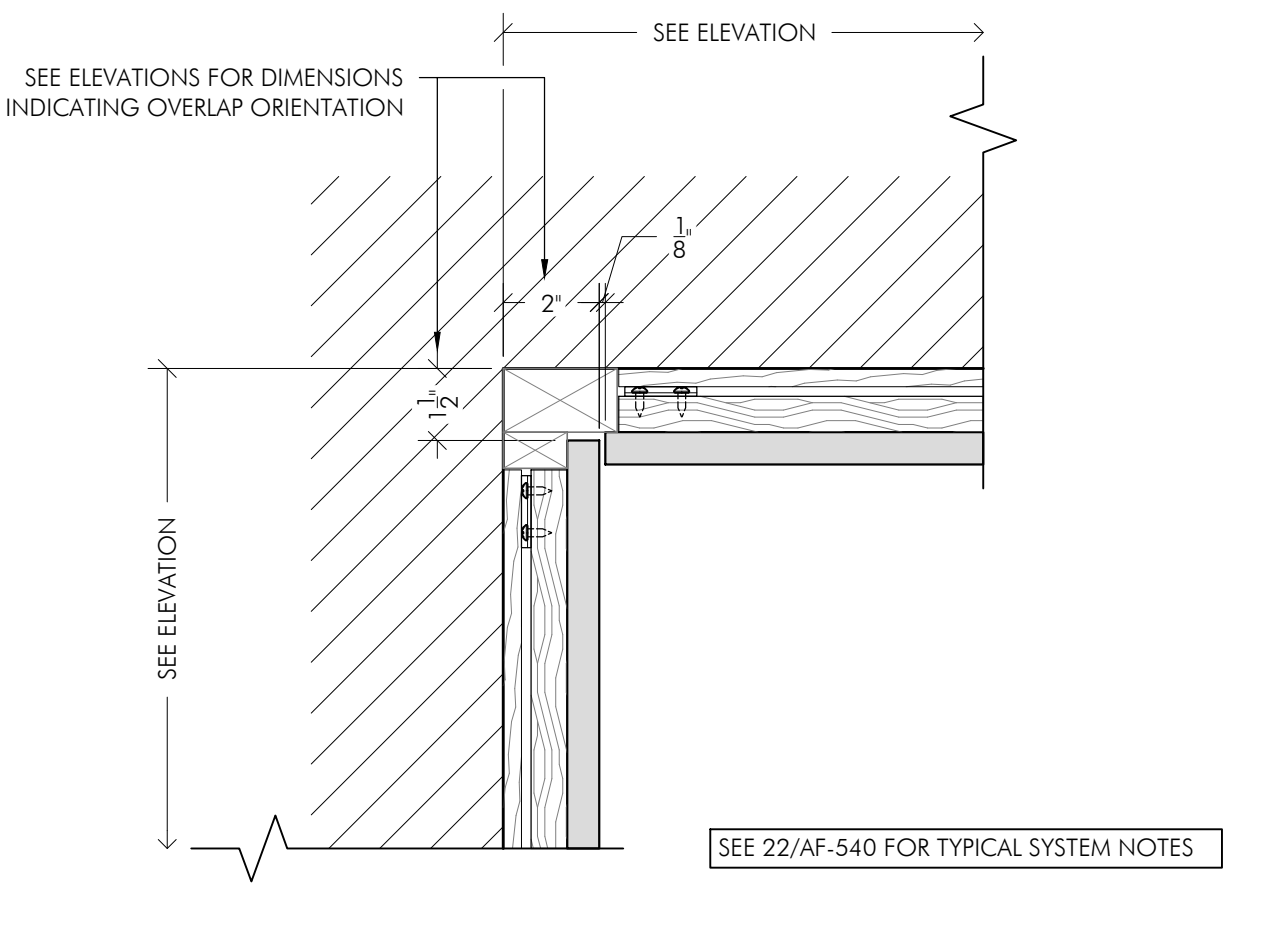
8 Z CLIP HARDWARE - SECTION
SCALE: 3"=1'-0" REF:



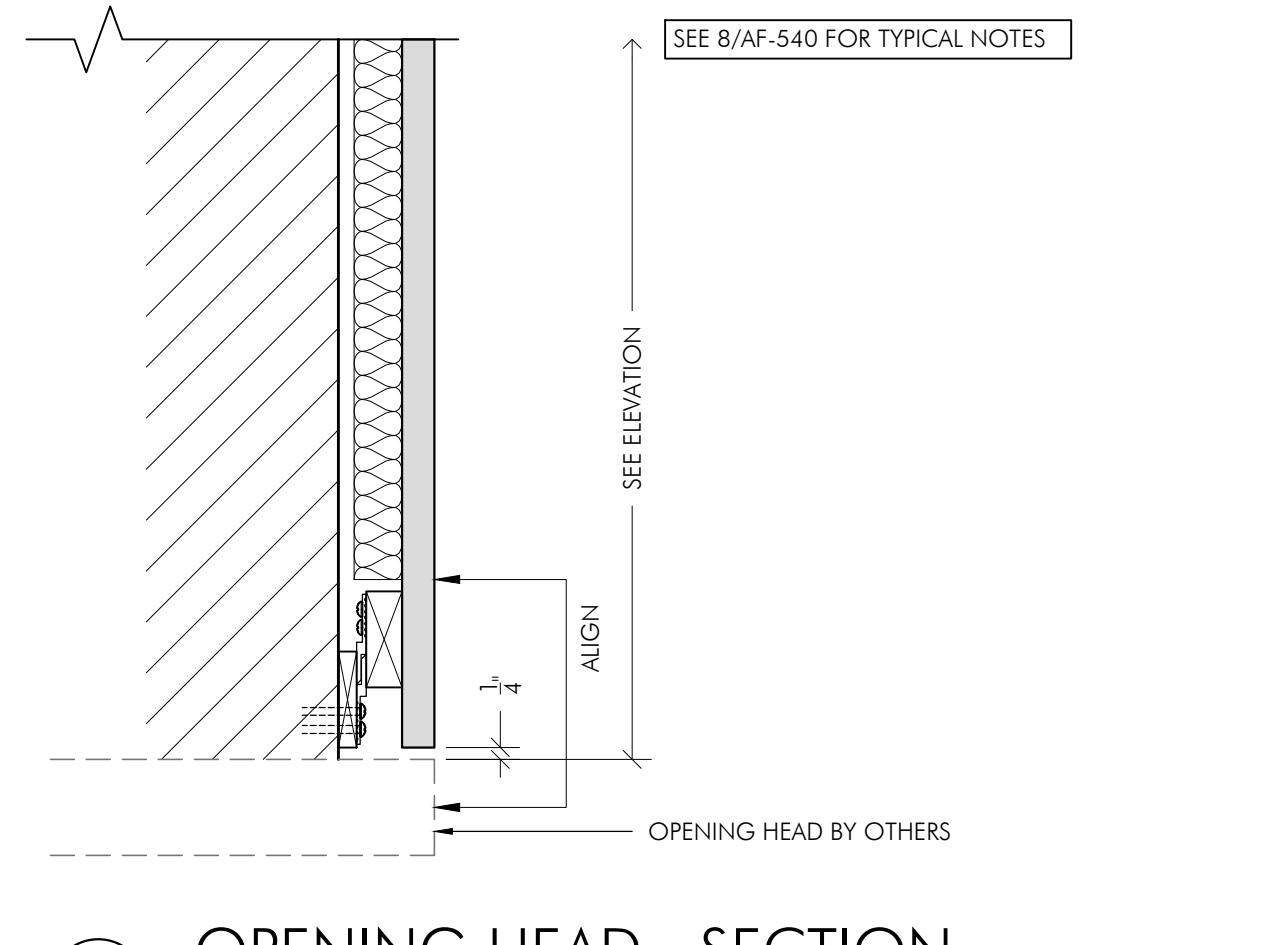
13 BASE DETAIL - SECTION
SCALE: 3"=1'-0" REF:



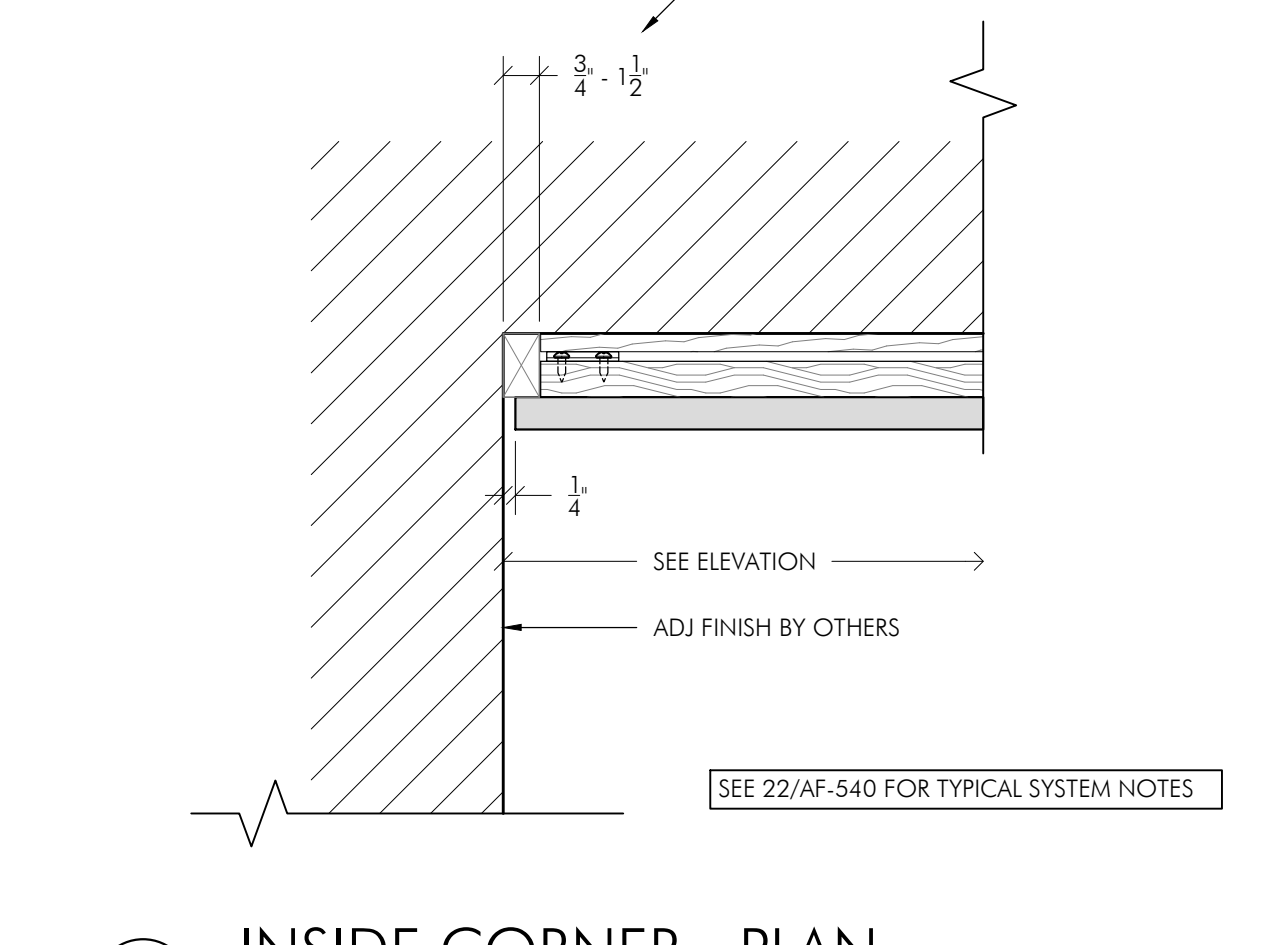
14 CUSTOM ANGLE INSIDE CORNER
SCALE: 3"=1'-0" REF:



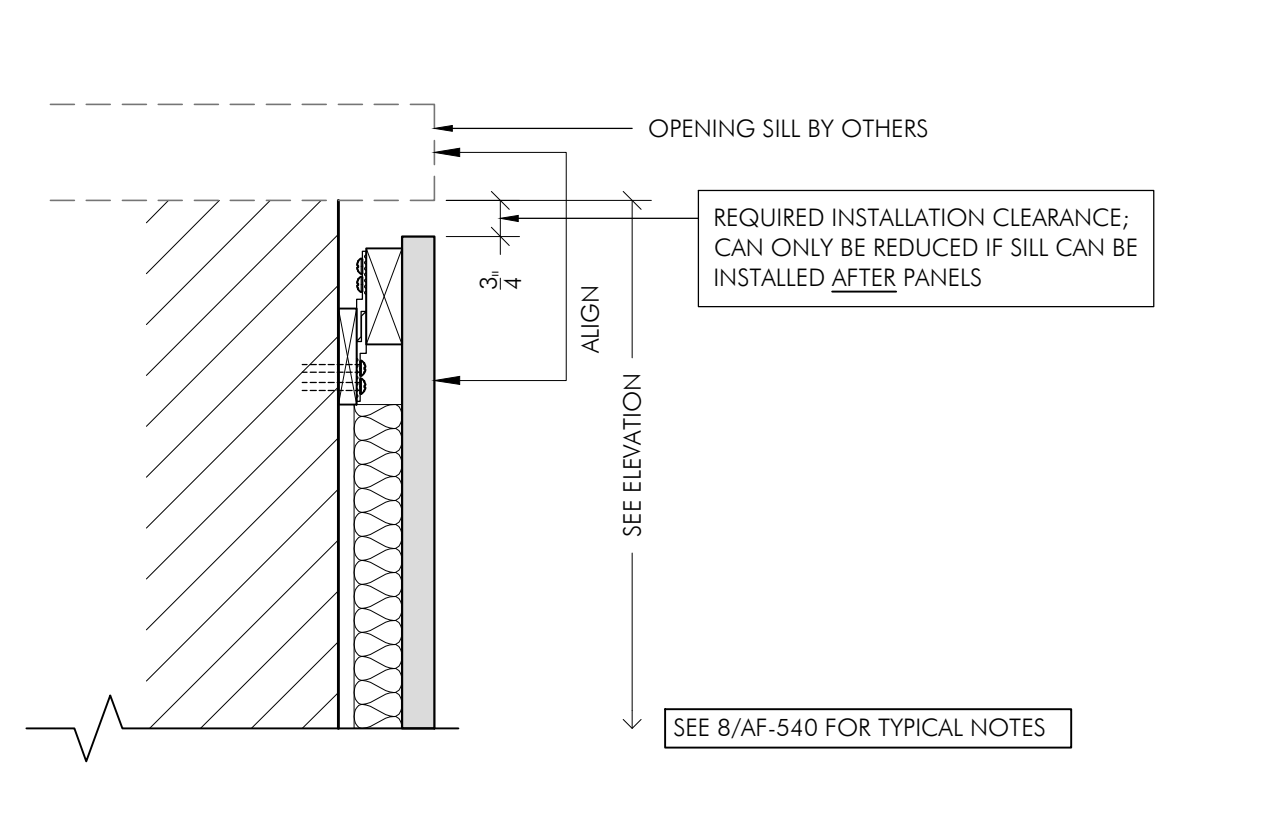
15 INSIDE CORNER - PLAN
SCALE: 3"=1'-0" REF:



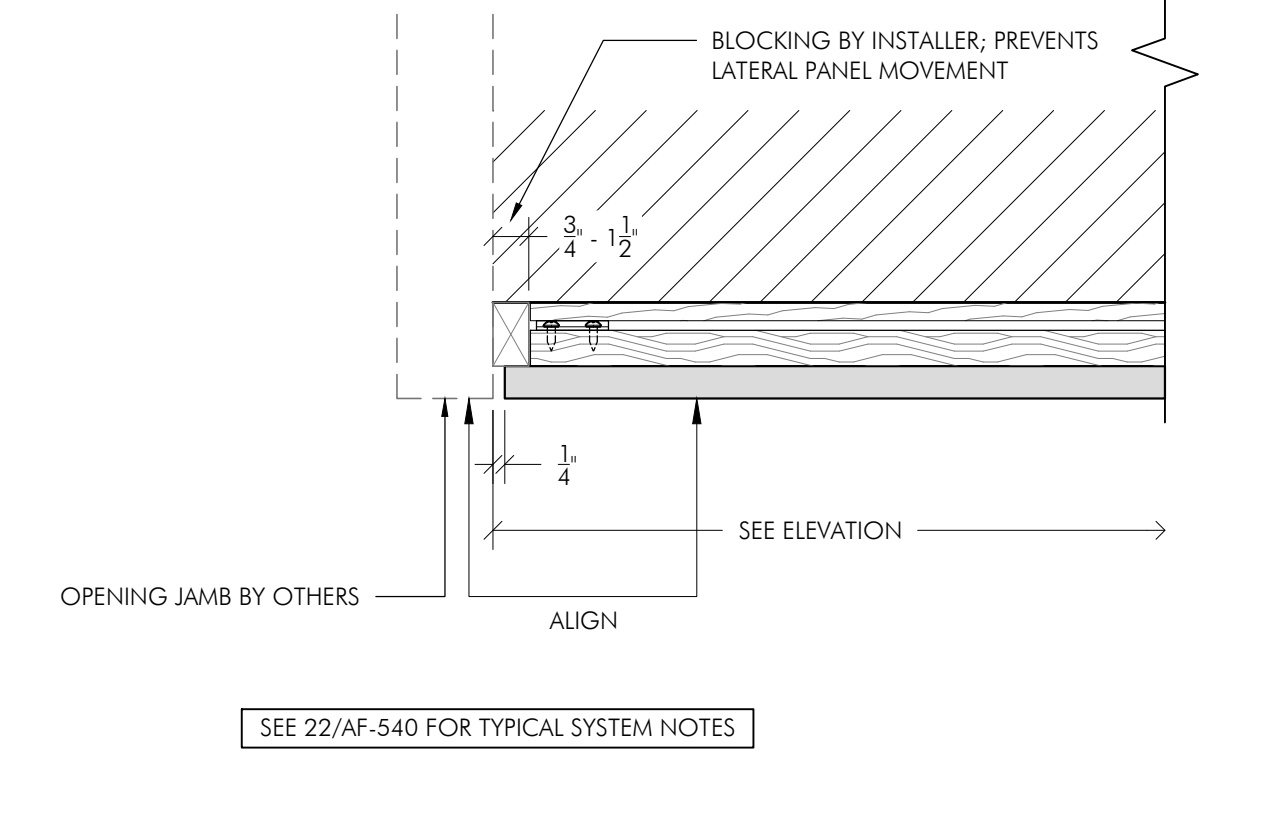
19 OPENING HEAD - SECTION
SCALE: 3"=1'-0" REF:



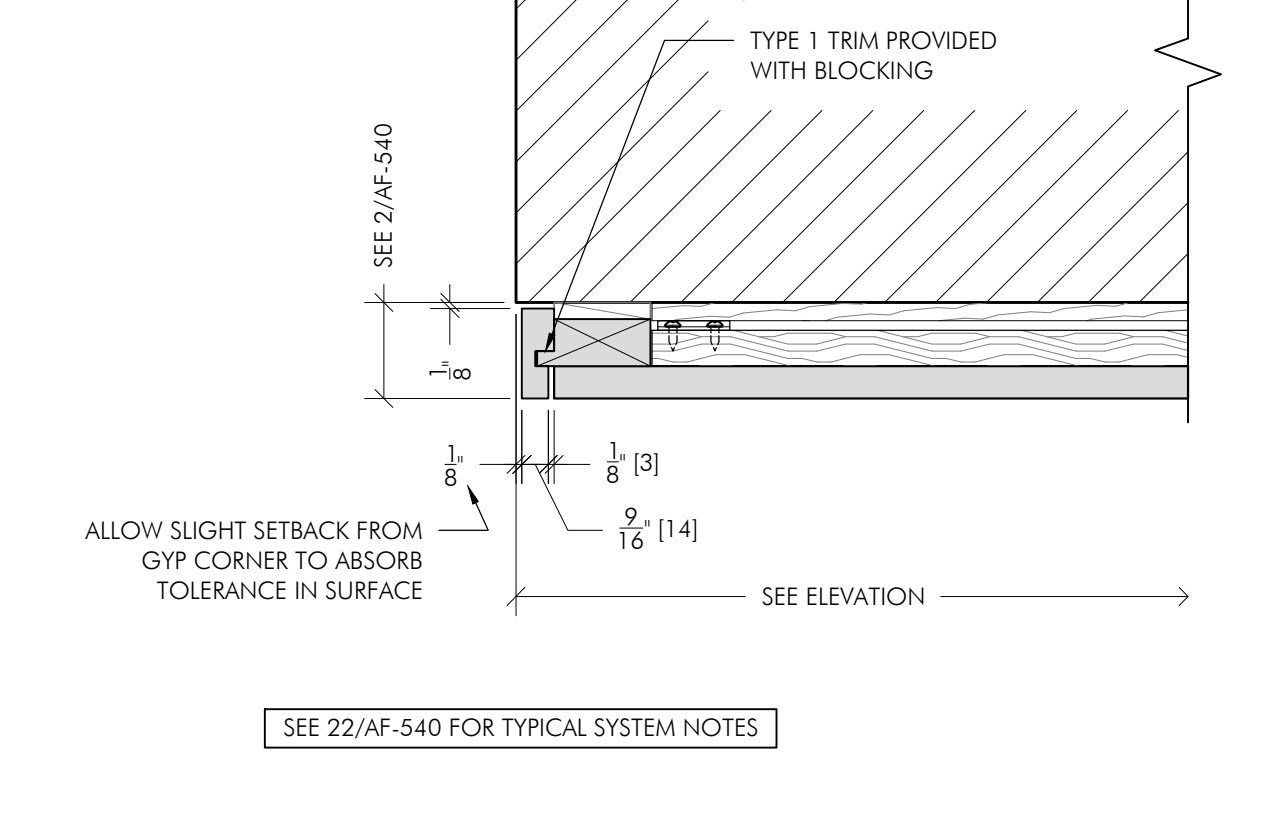
21 INSIDE CORNER - PLAN
SCALE: 3"=1'-0" REF:



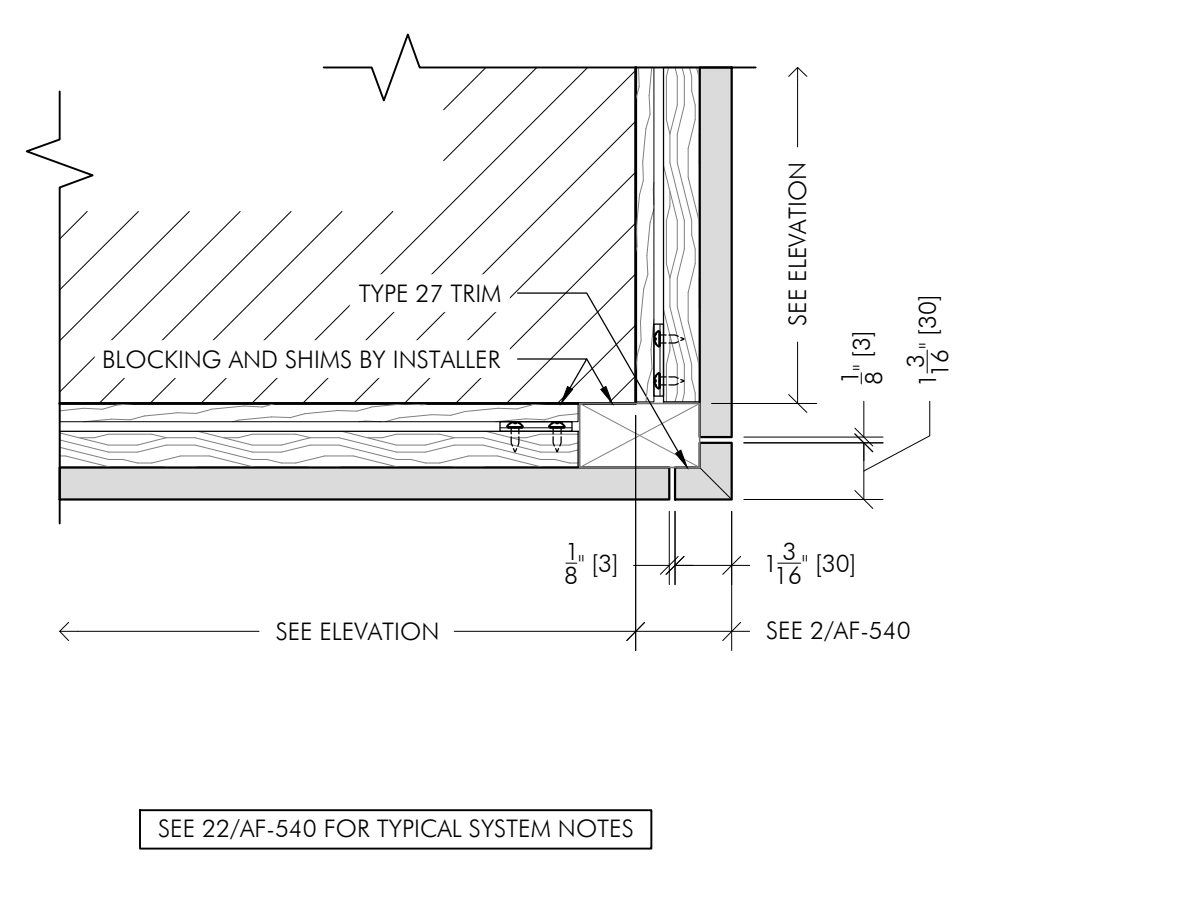
25 OPENING SILL - SECTION
SCALE: 3"=1'-0" REF:



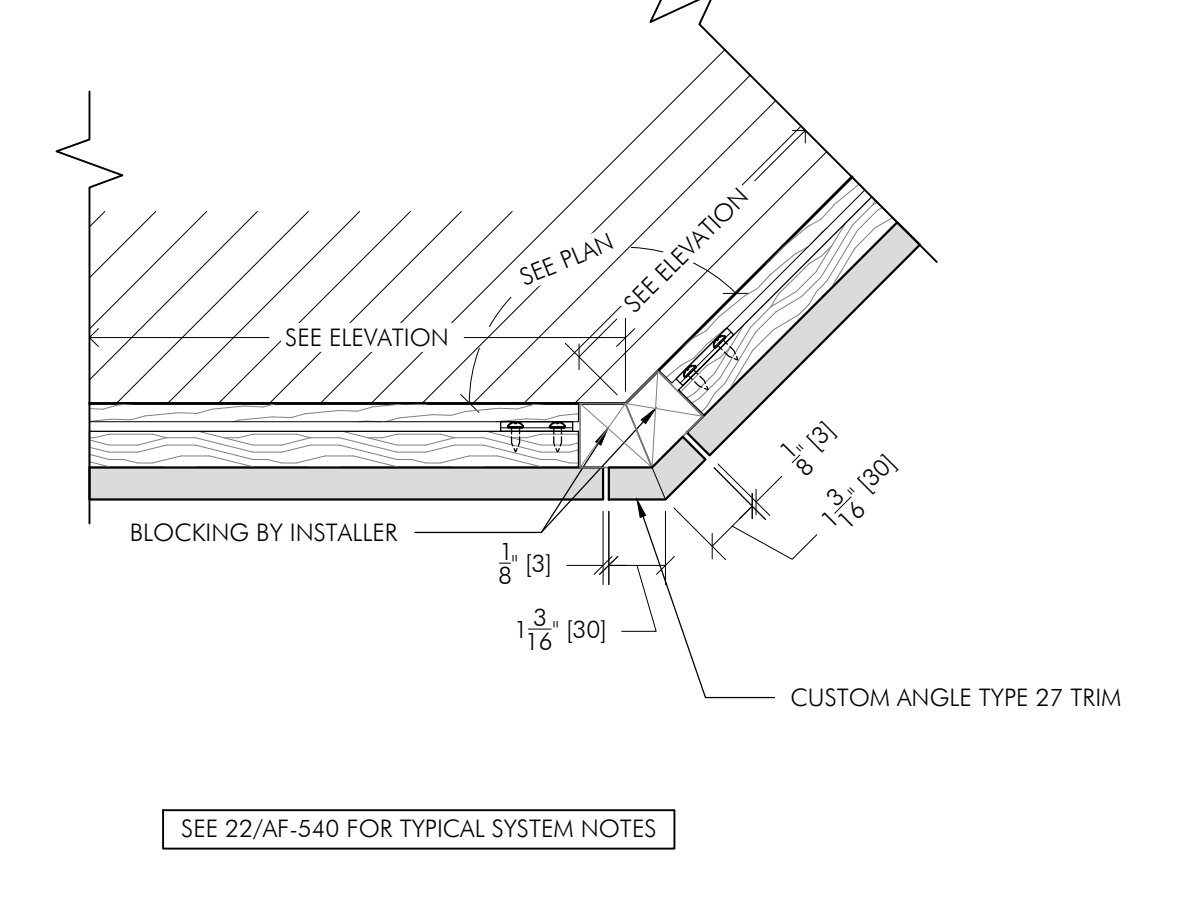
26 OPENING JAMB - PLAN
SCALE: 3"=1'-0" REF:



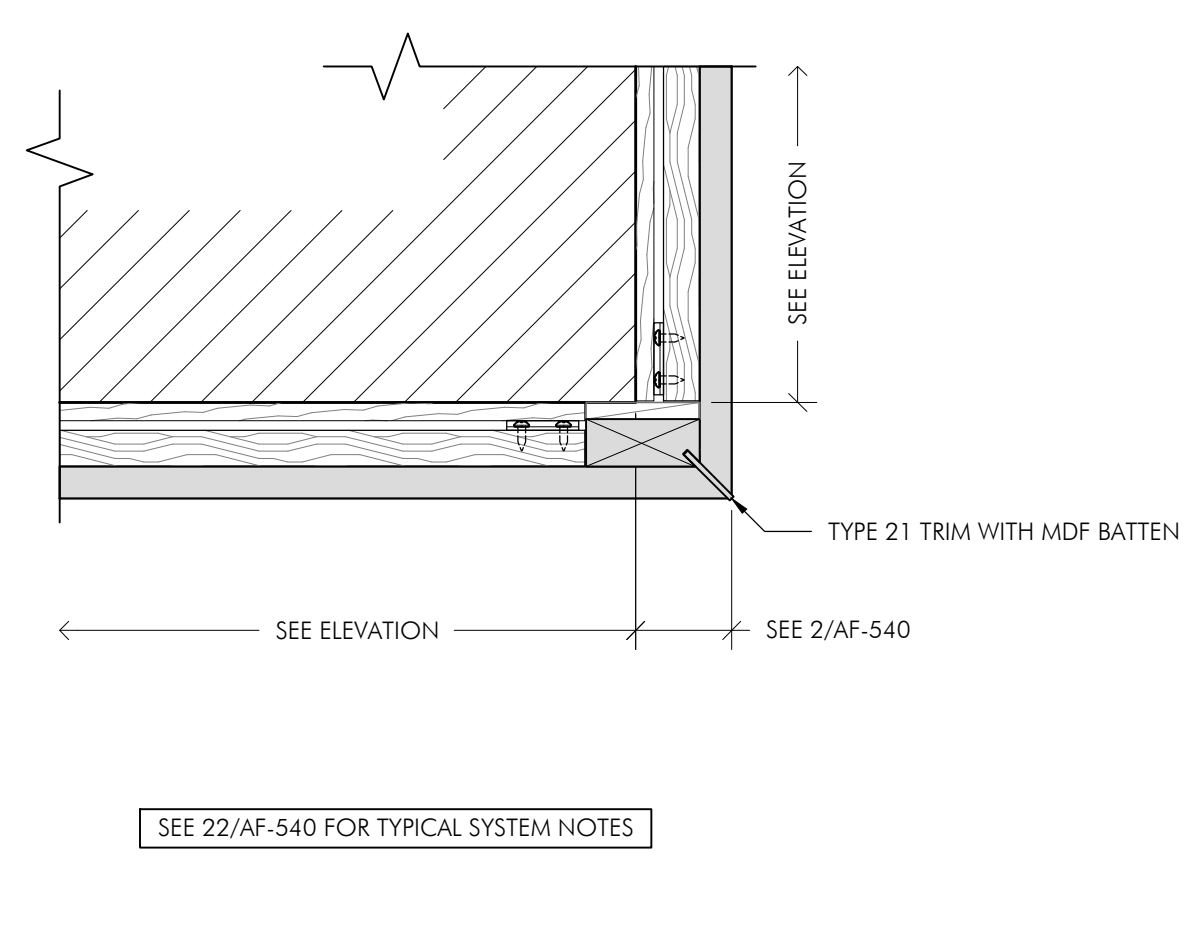
27 TYPE 1 TRIM - PLAN
SCALE: 3"=1'-0" REF:



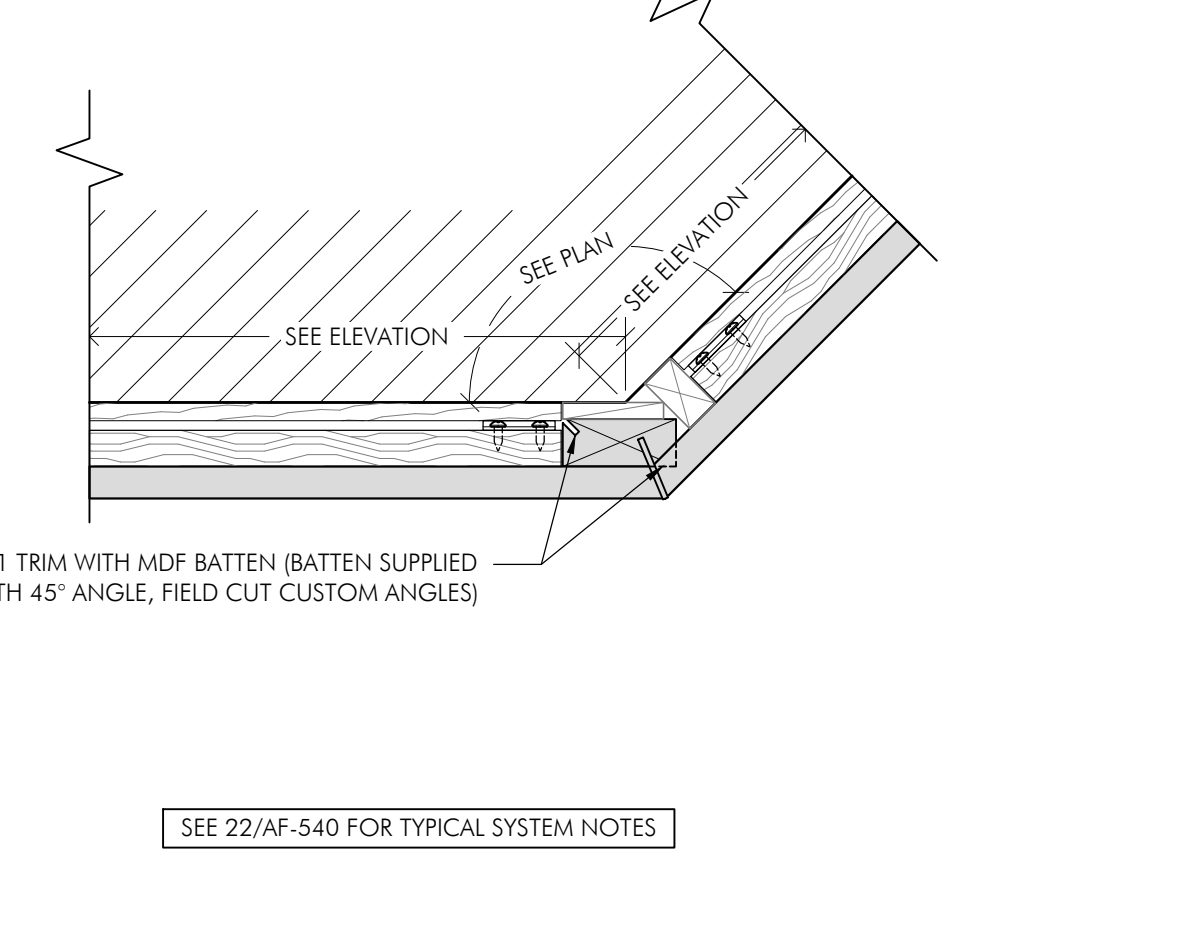
5 OUTSIDE CORNER - TYPE 27
SCALE: 3"=1'-0" REF:



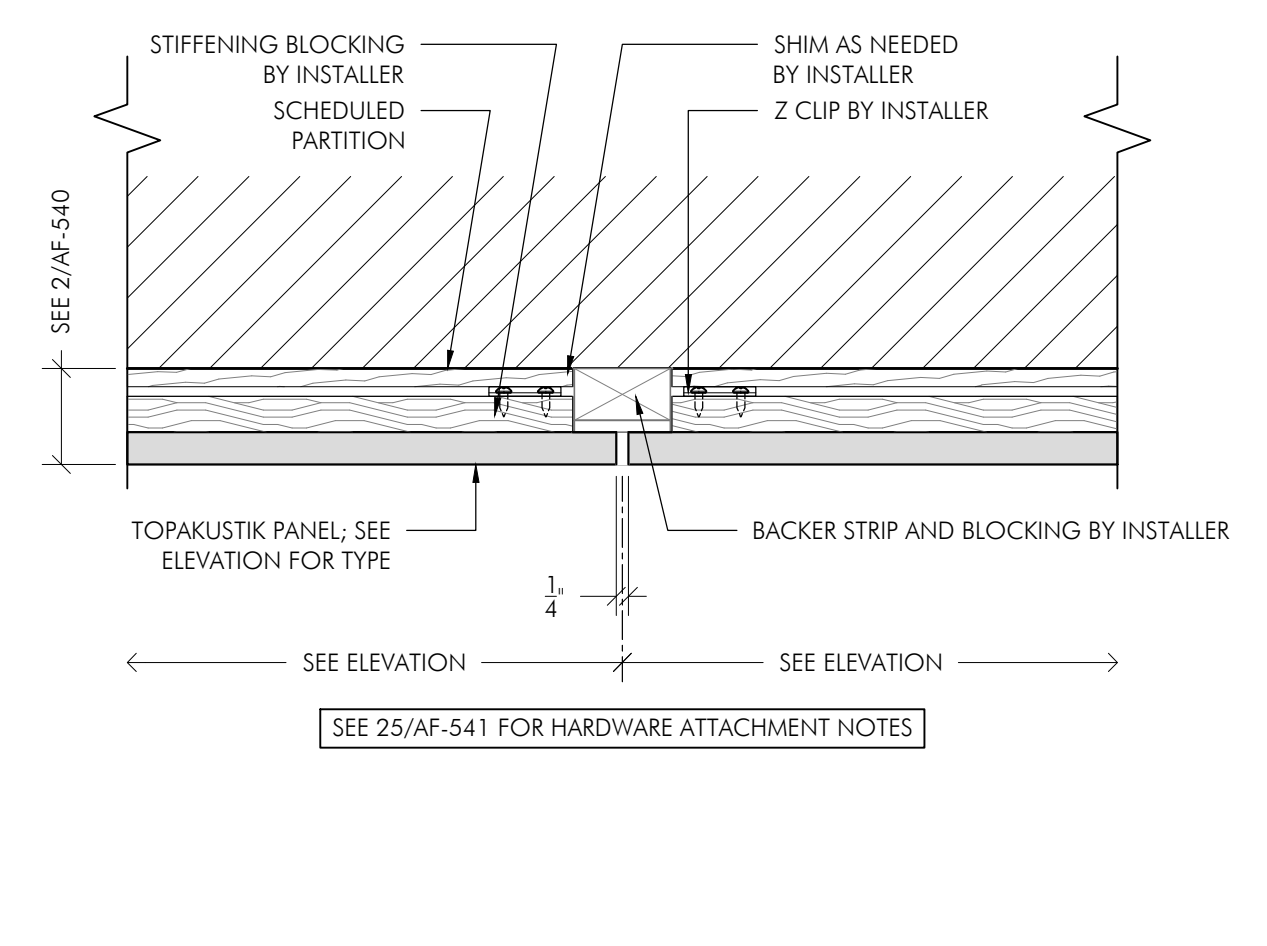
6 CUSTOM ANGLE - TYPE 27
SCALE: 3"=1'-0" REF:



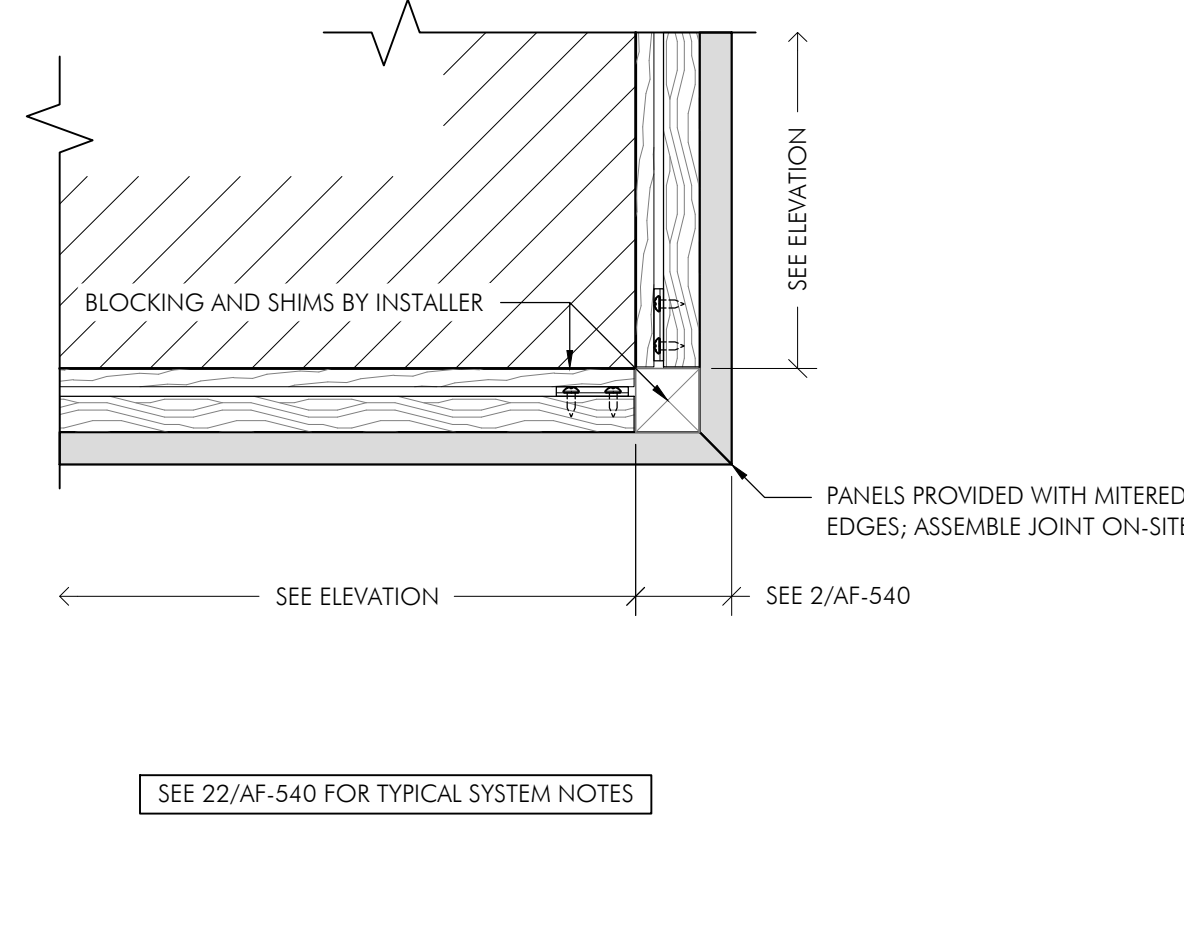
11 OUTSIDE CORNER - TYPE 21
SCALE: 3"=1'-0" REF:



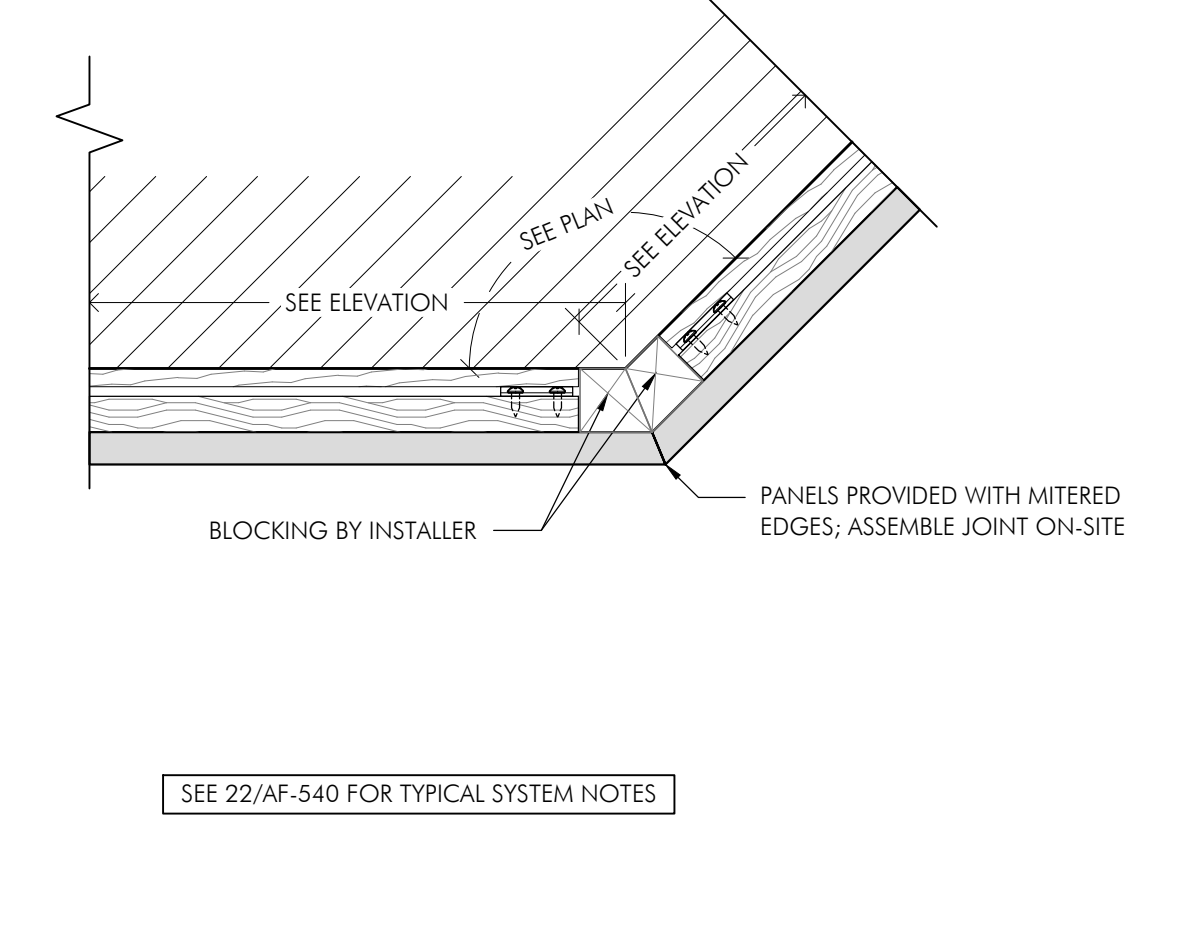
12 CUSTOM ANGLE - TYPE 21
SCALE: 3"=1'-0" REF:



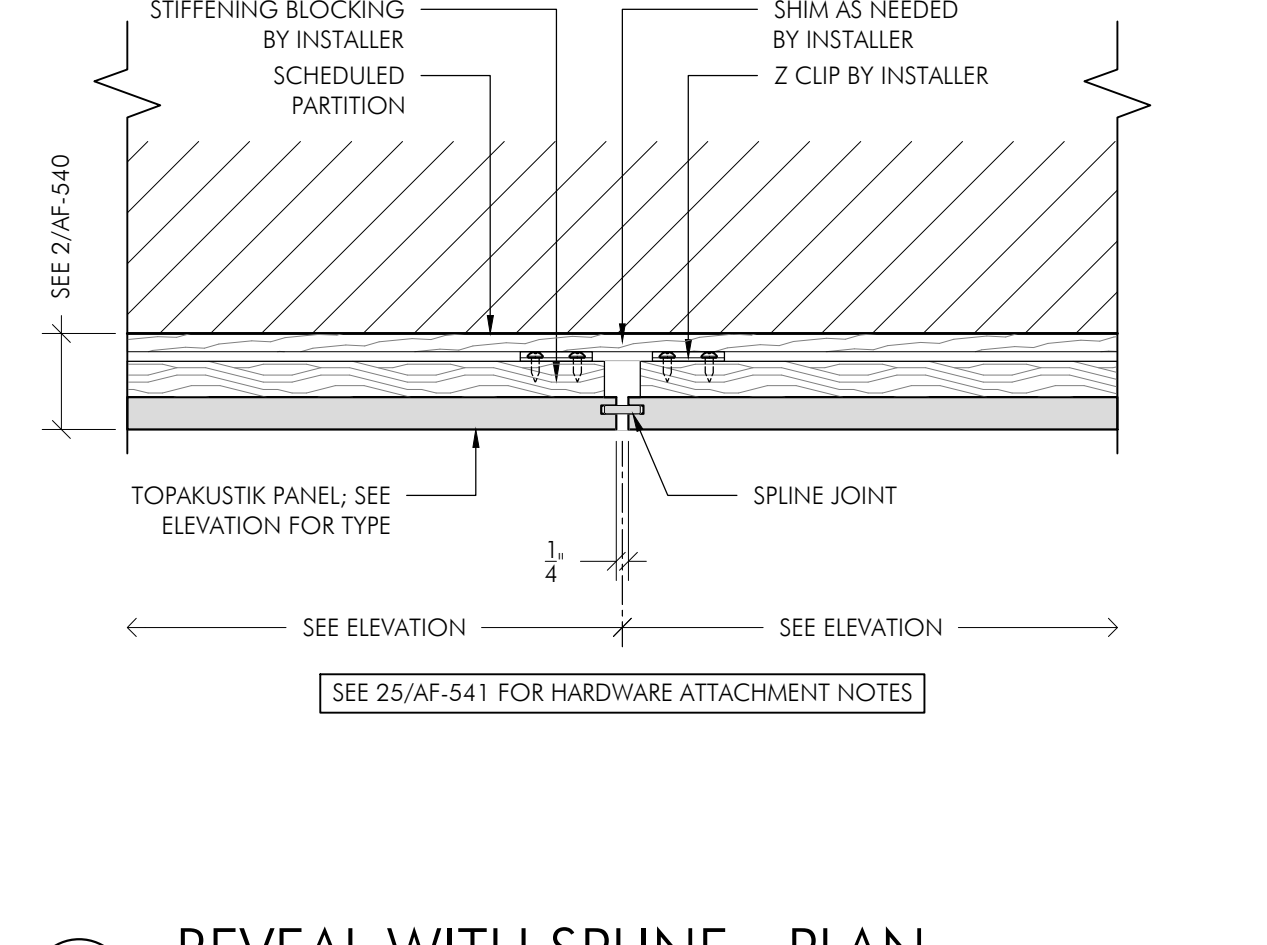
16 REVEAL WITH BACKER - PLAN
SCALE: 3"=1'-0" REF:



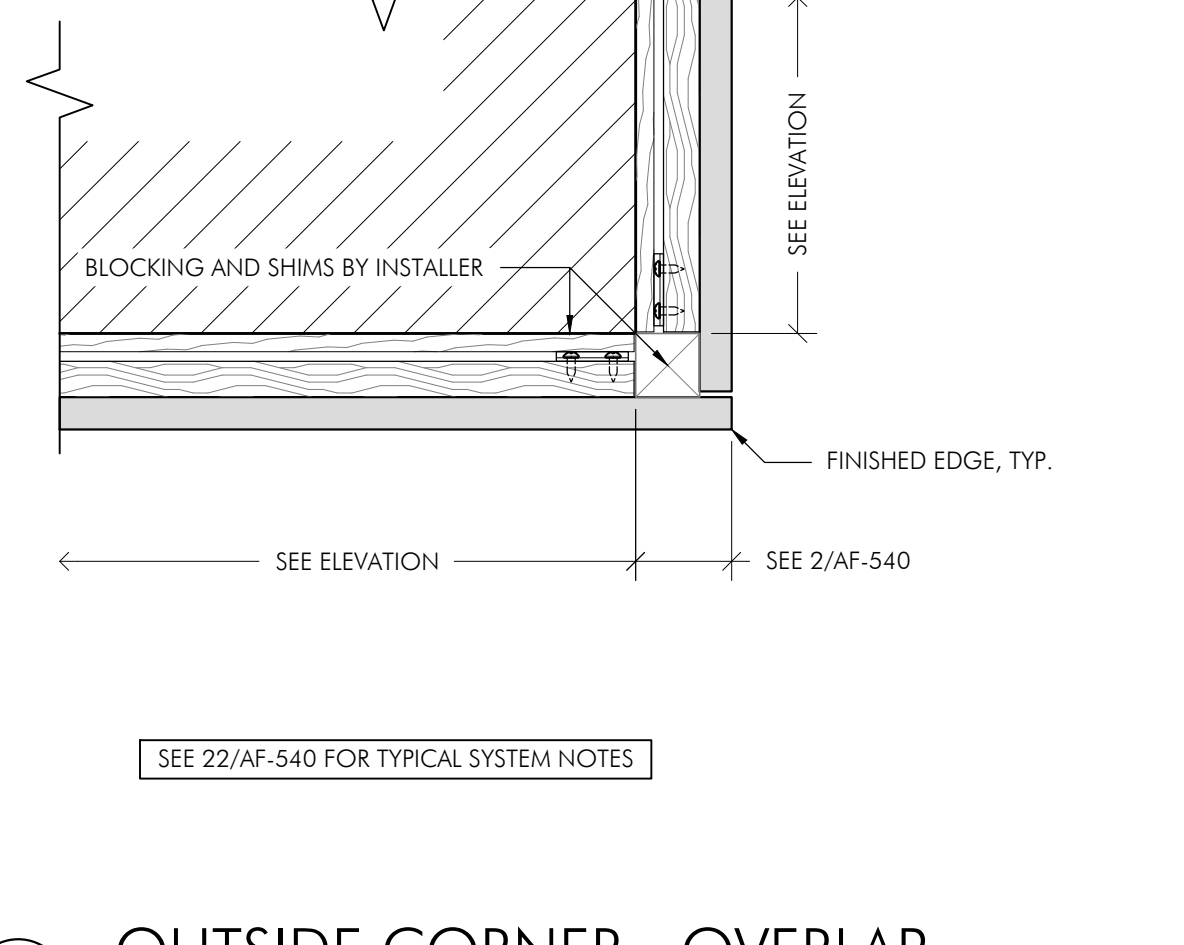
17 OUTSIDE CORNER - MITERED
SCALE: 3"=1'-0" REF:



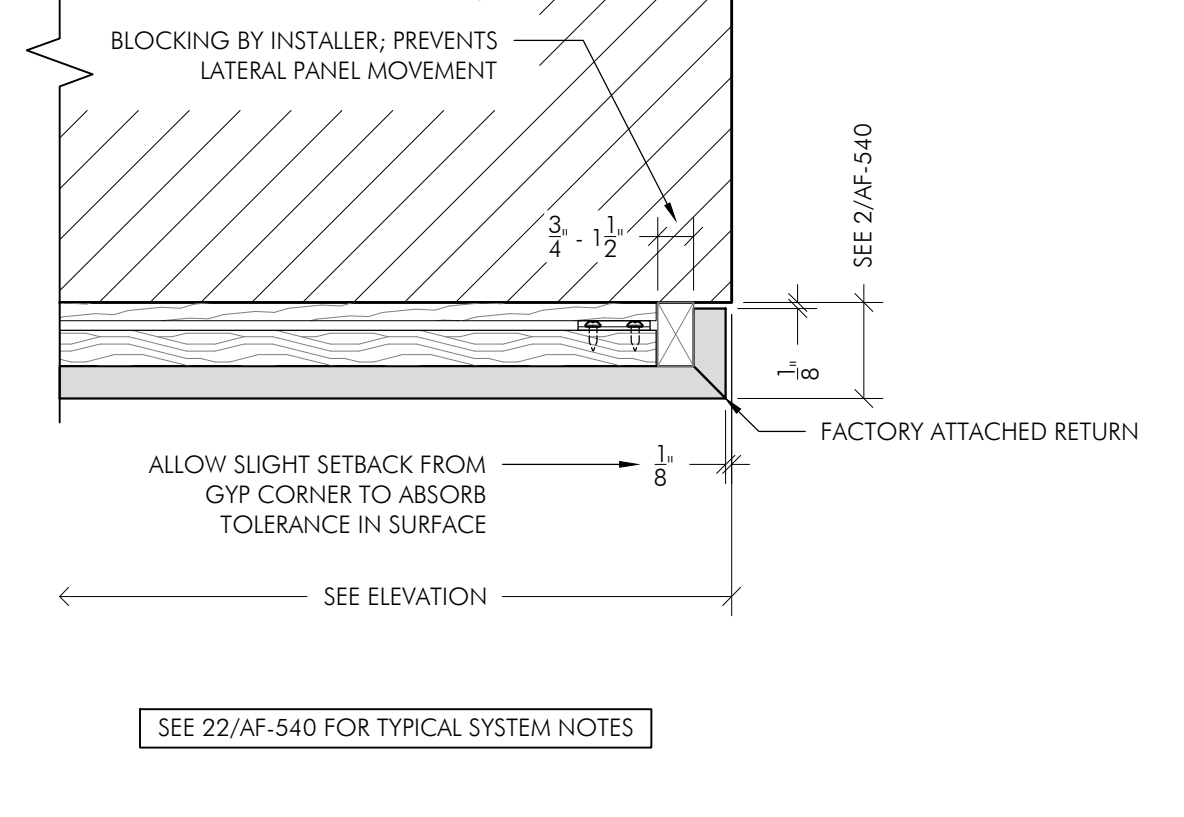
18 CUSTOM ANGLE - MITERED
SCALE: 3"=1'-0" REF:



22 REVEAL WITH SPLINE - PLAN
SCALE: 3"=1'-0" REF:

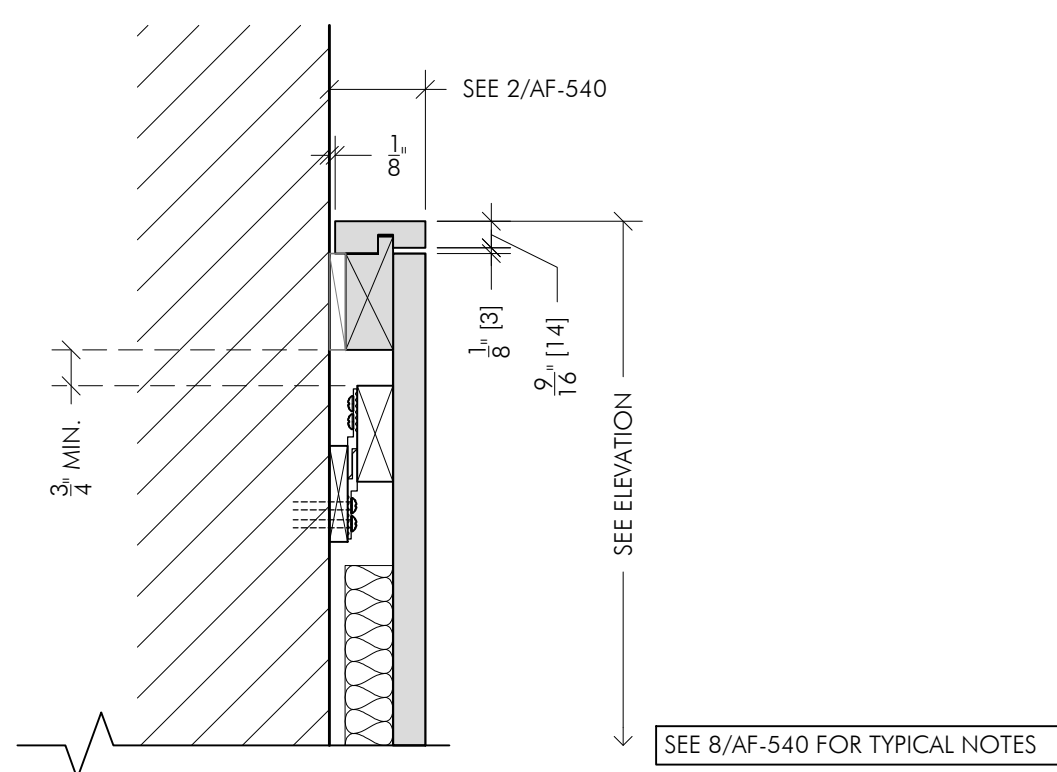


23 OUTSIDE CORNER - OVERLAP
SCALE: 3"=1'-0" REF:

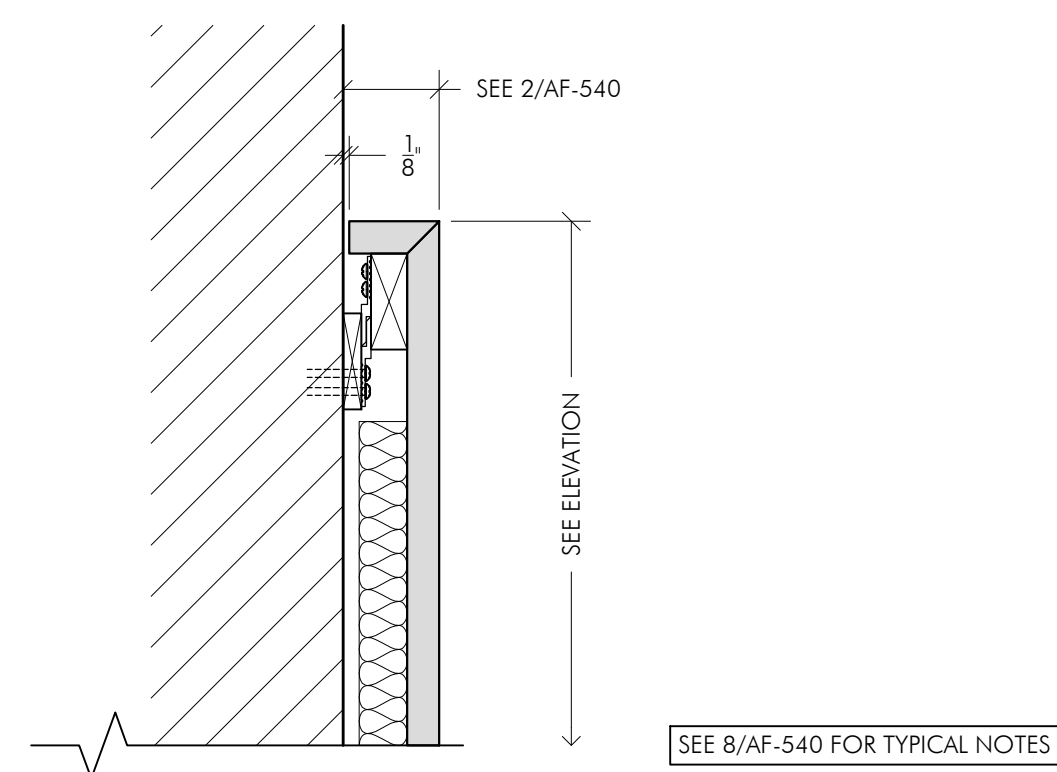


29 PANEL RETURN - PLAN
SCALE: 3"=1'-0" REF:

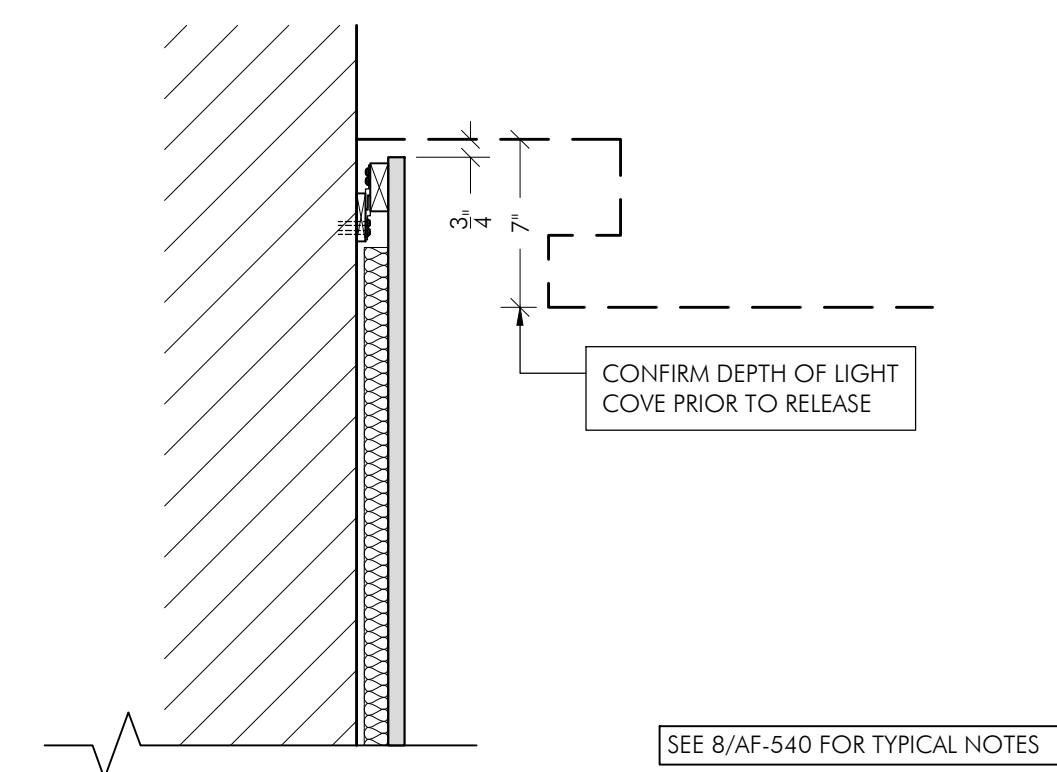
PROJECT: Template	TOP(A)K(U)S(T)I(K)		
SHEET TITLE: Z CLIP DETAILS 1	ISSUE DATE: 1/4/2024	SCALE: NOTED	3 RD ANG. PROJ.
REVISIONS: ▲ ▲ ▲	PROJ. MGR.:	DRAWN BY: 20/29	REV. NO.: 0
	PRODUCTION TOLERANCE: 0" - 36" = 1/32" (±1/32" PER 36" OF PRODUCT)		AF-540



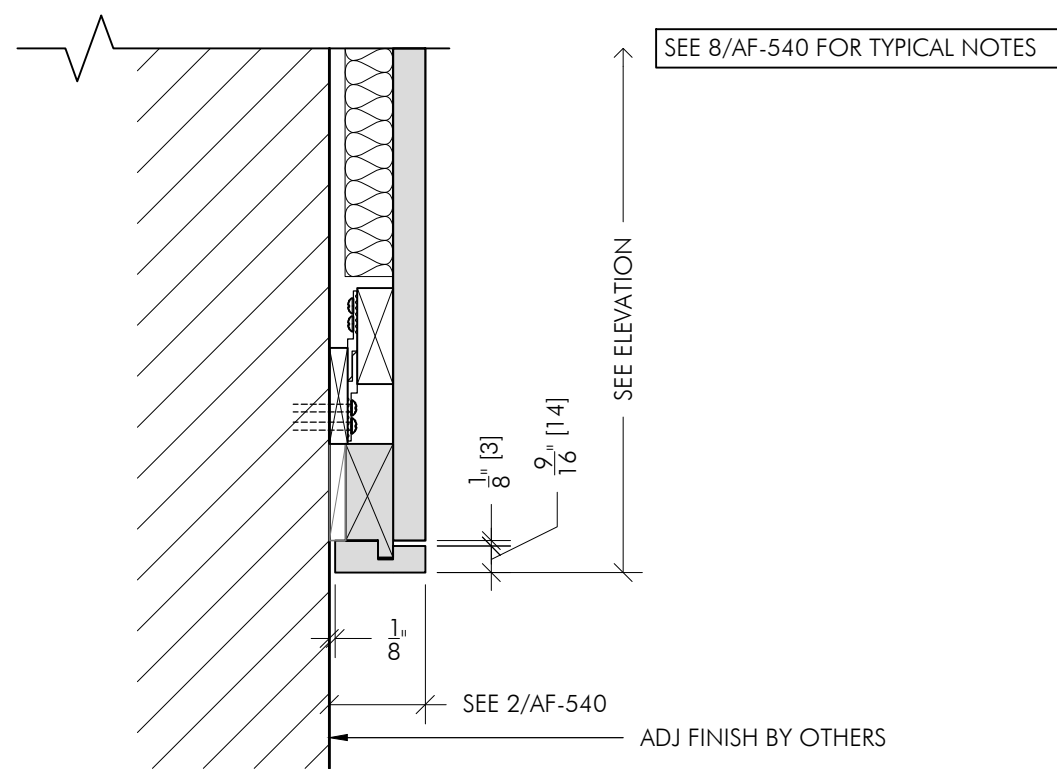
1 HEAD DETAIL - TYPE 1 TRIM
SCALE: 3"=1'-0" REF:



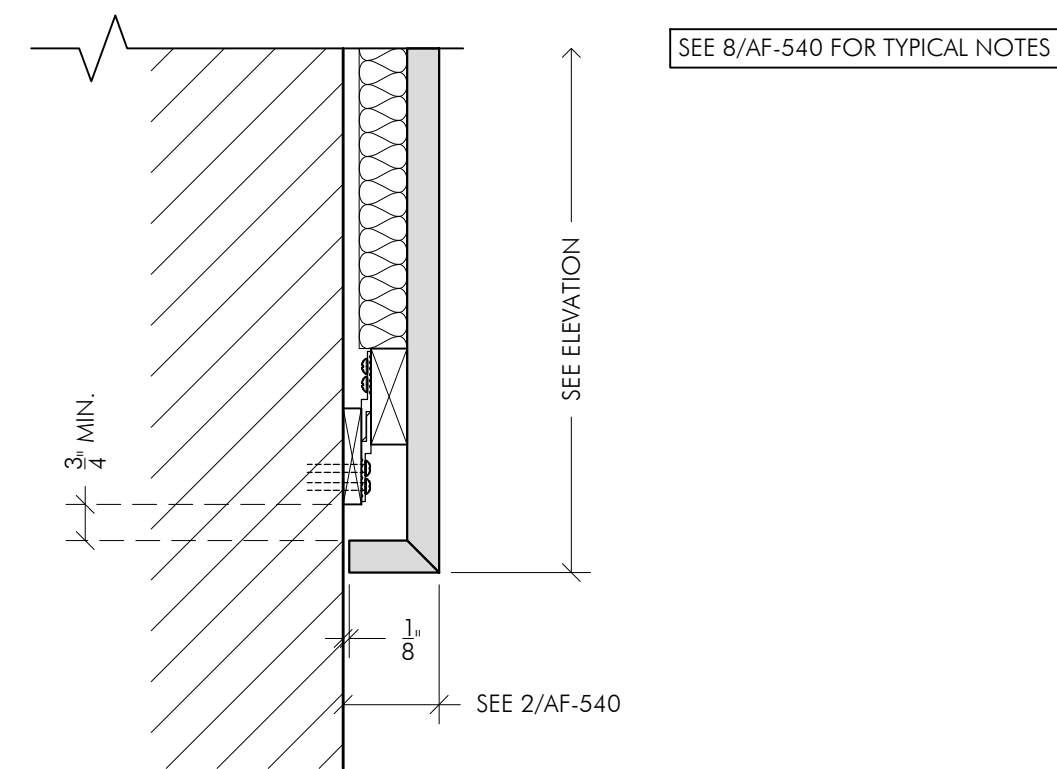
2 HEAD DETAIL - PANEL RETURN
SCALE: 3"=1'-0" REF:



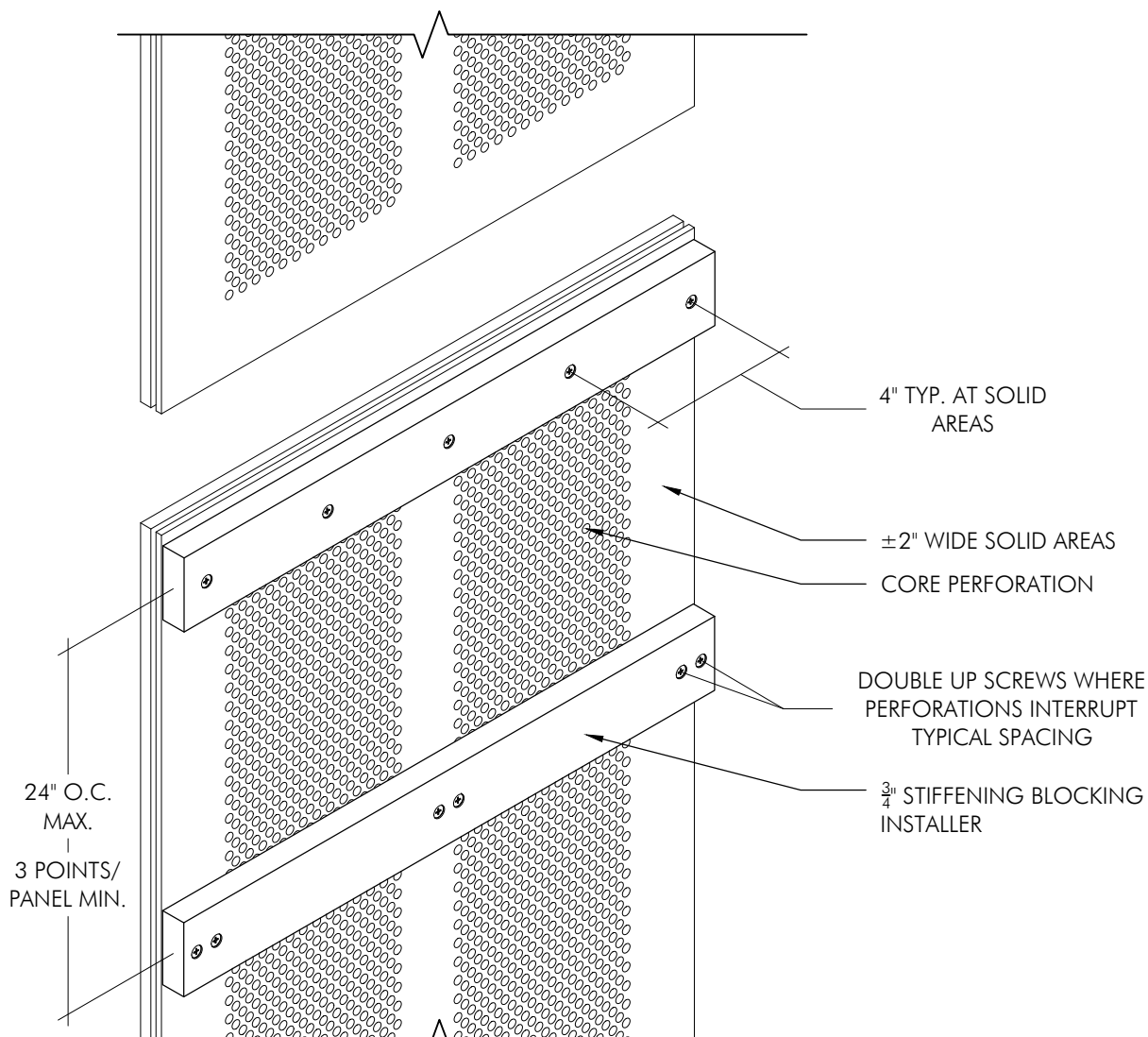
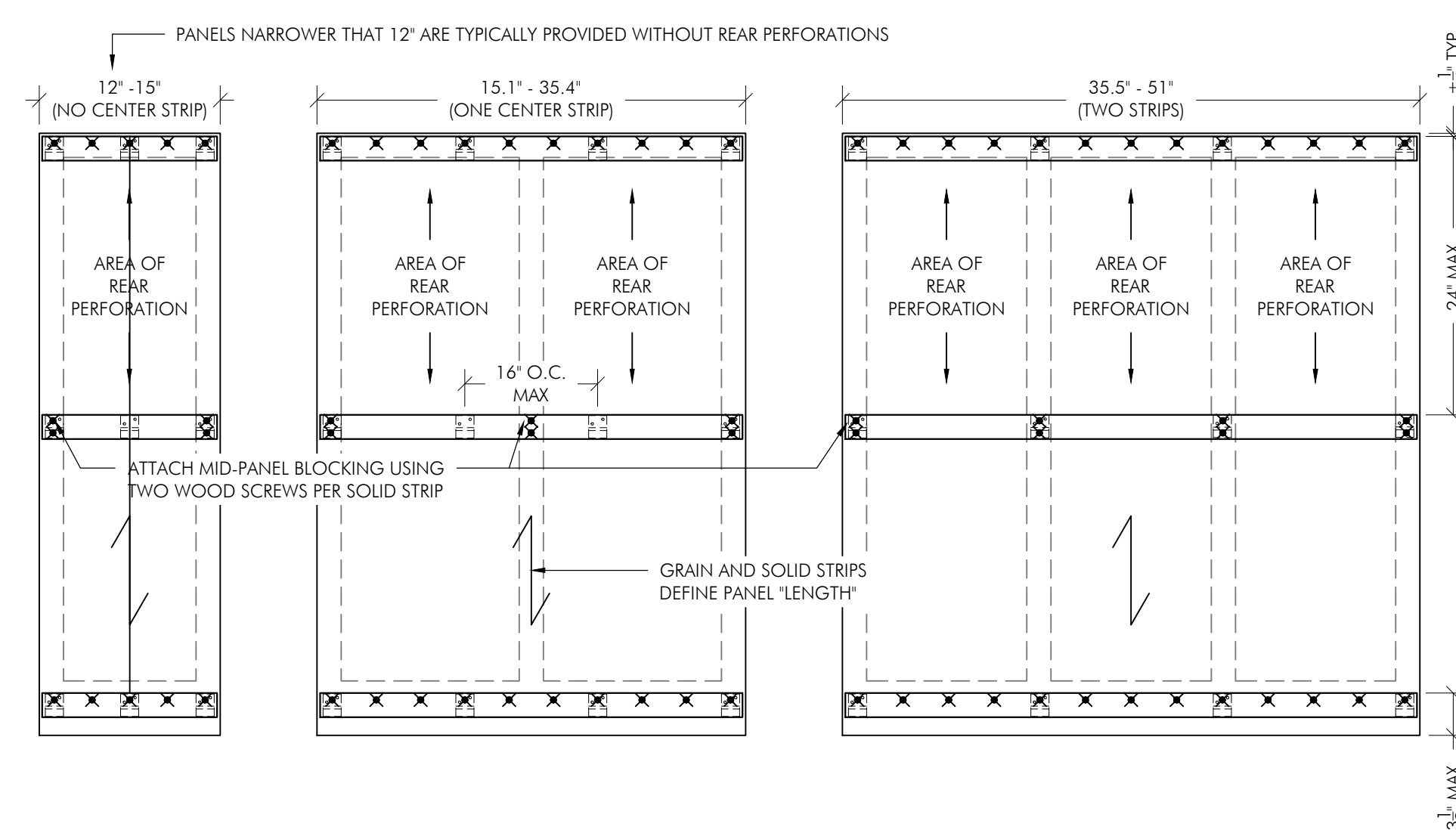
3 HEAD DETAIL - LIGHT COVE
SCALE: 1 1/2"=1'-0" REF:



7 BOTTOM OF SCOPE - TYPE 1 TRIM
SCALE: 3"=1'-0" REF:

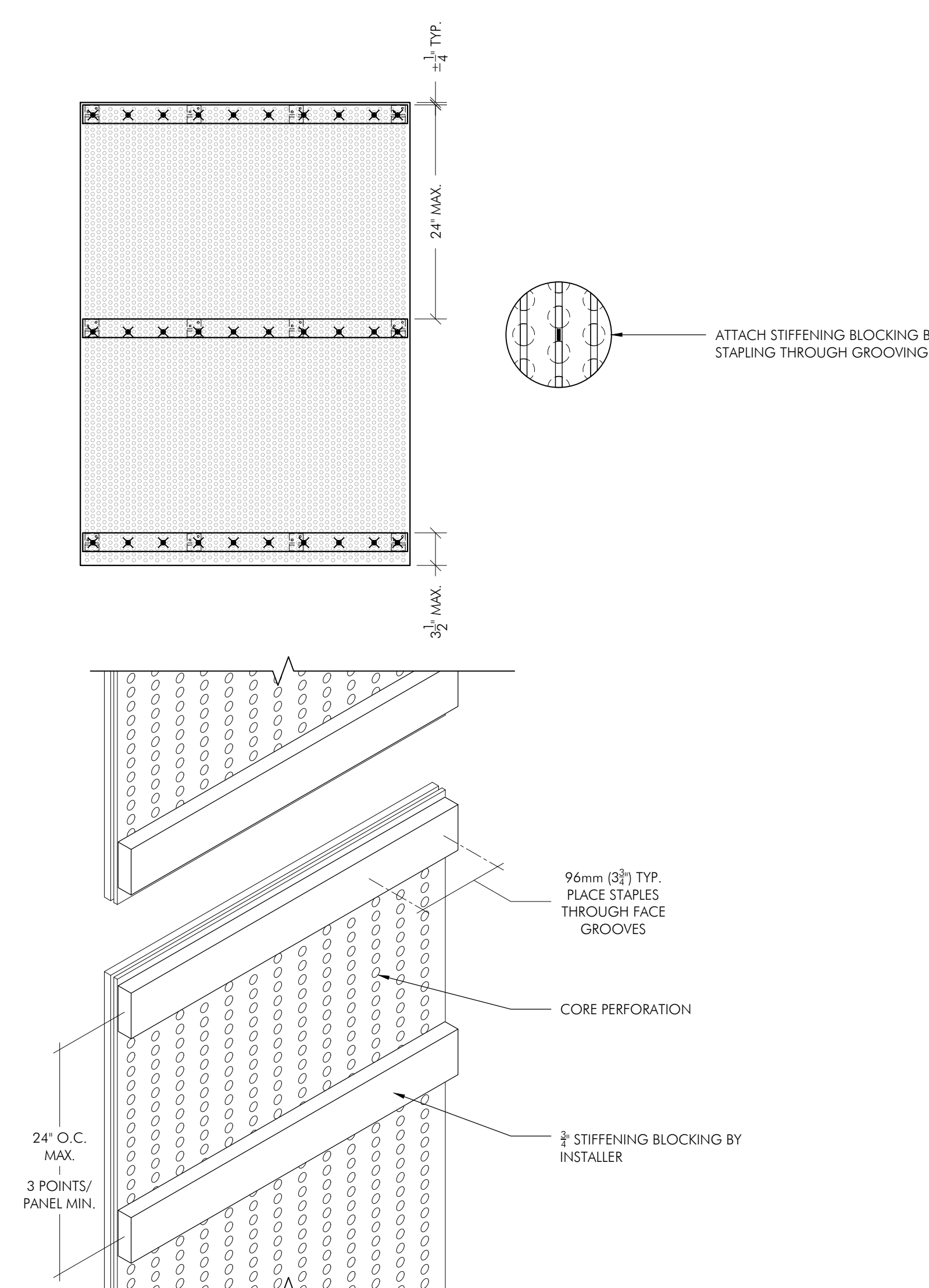


8 BOTTOM OF SCOPE - PANEL RETURN
SCALE: 3"=1'-0" REF:

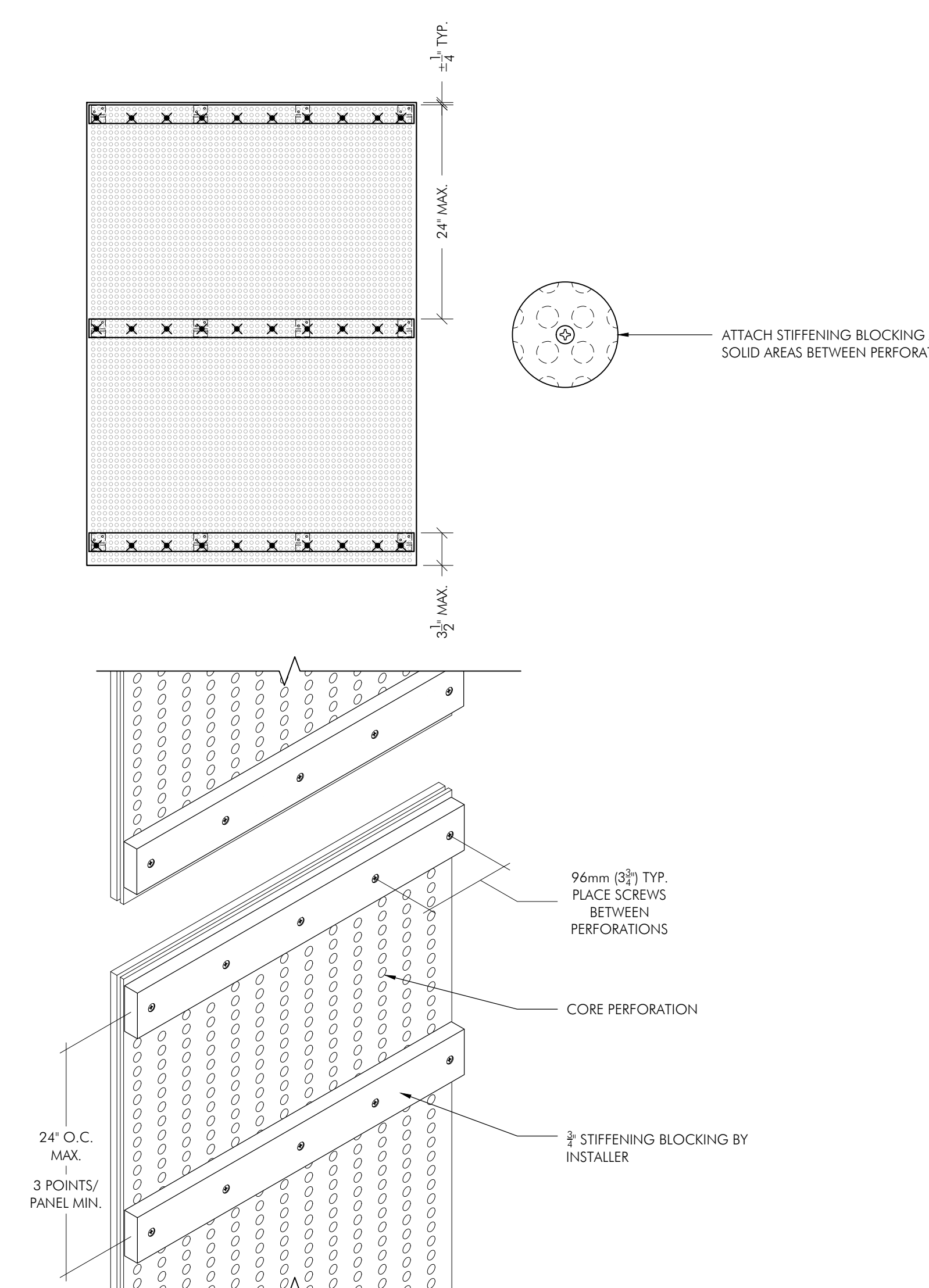


25 TYPICAL PANEL PREP. / HARDWARE ATTACHMENT
SCALE: NTS

MICRO PANEL TYPES
CLASSIC PANEL TYPES



CLASSIC PANEL TYPES
PERFO PANEL TYPES



TYPICAL

PROJECT: Template		TOP(A)K(U)S(T)I(K)	
SHEET TITLE: Z CLIP DETAILS 2			
REVISIONS:	ISSUE DATE: 1/4/2024	SCALE:	3" ANG. PROJ.
▲	PROJ MGR:	NOTED	21/29
▲	DRAWN BY:	REV NO:	0
▲	PRODUCTION TOLERANCE: 0.36 ± 1/32" ± 1/32" PER 36" OF PRODUCT	AF-541	