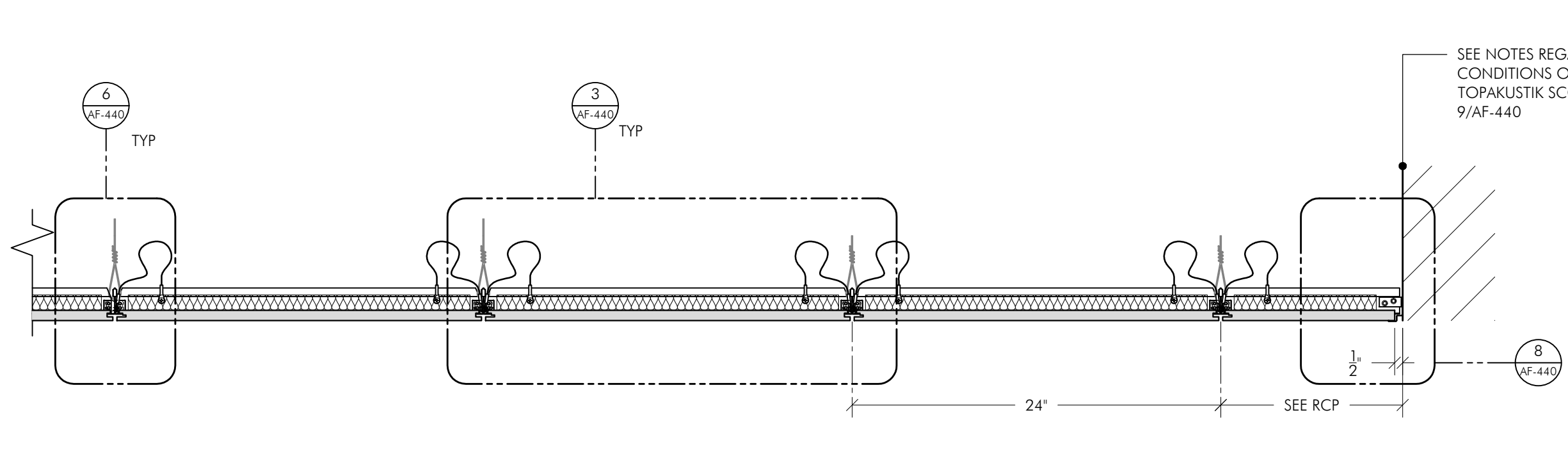


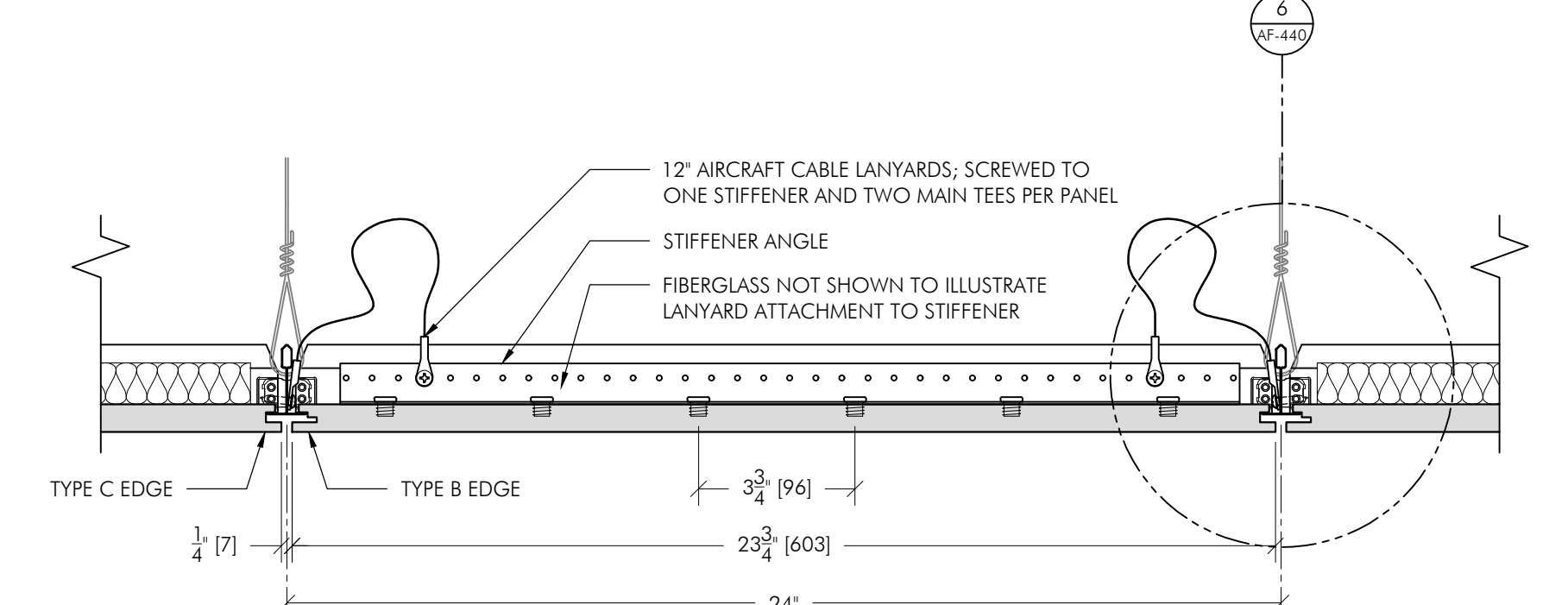
1 TYPICAL SECTION DETAIL - TRANSVERSE
SCALE: 1 1/2"=1'-0"

SYSTEM DETAIL - EXACT SECTION
MAY NOT OCCUR ON THIS PROJECT
REF:



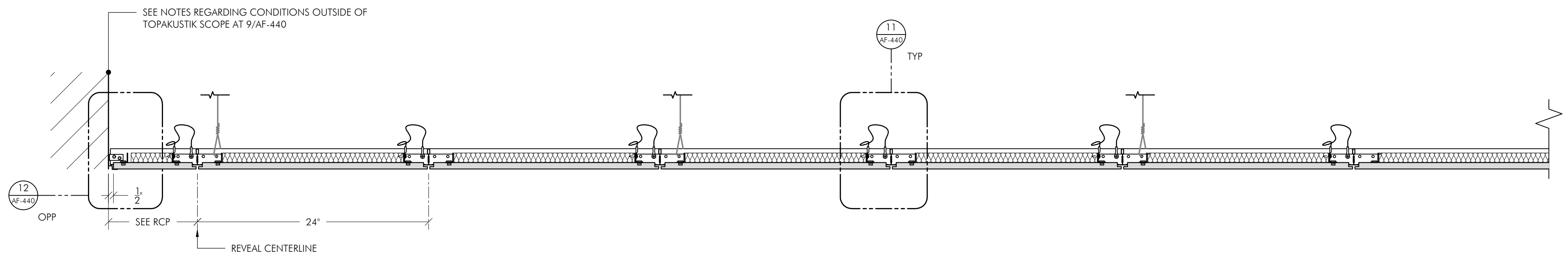
2 TYPICAL SECTION DETAIL - TRANSVERSE
SCALE: 1 1/2"=1'-0"

SYSTEM DETAIL - EXACT SECTION
MAY NOT OCCUR ON THIS PROJECT
REF:



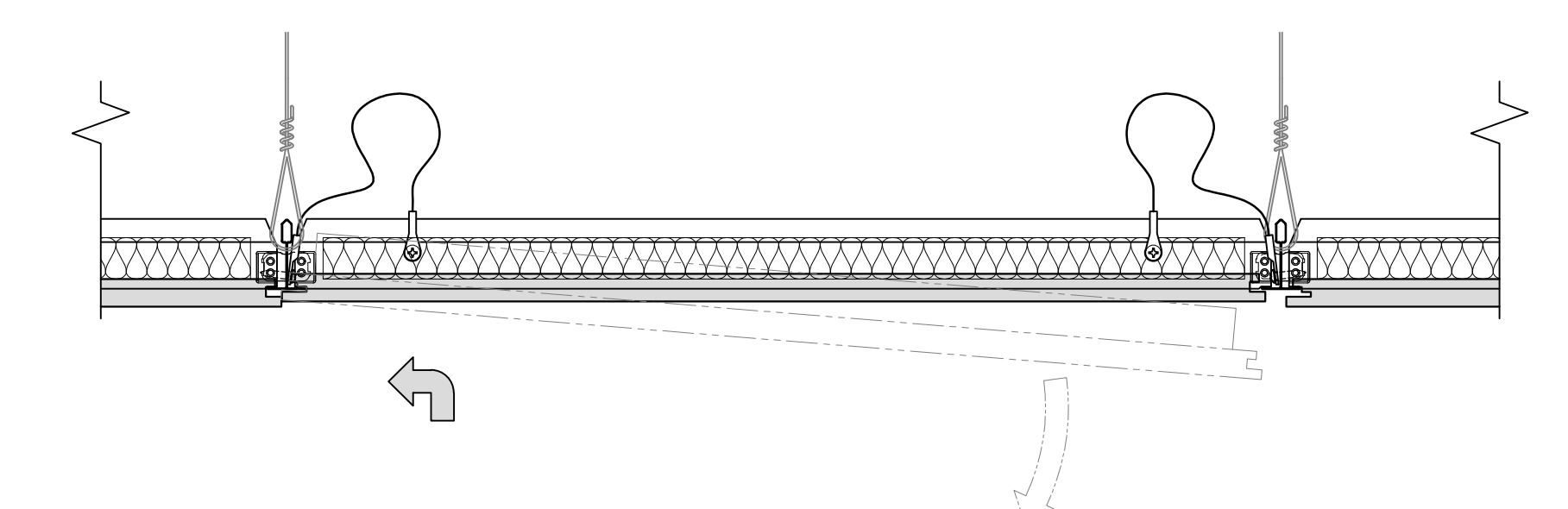
3 TYPICAL SECTION DETAIL - TRANSVERSE
SCALE: 3"=1'-0"

REF: 1/AF-440



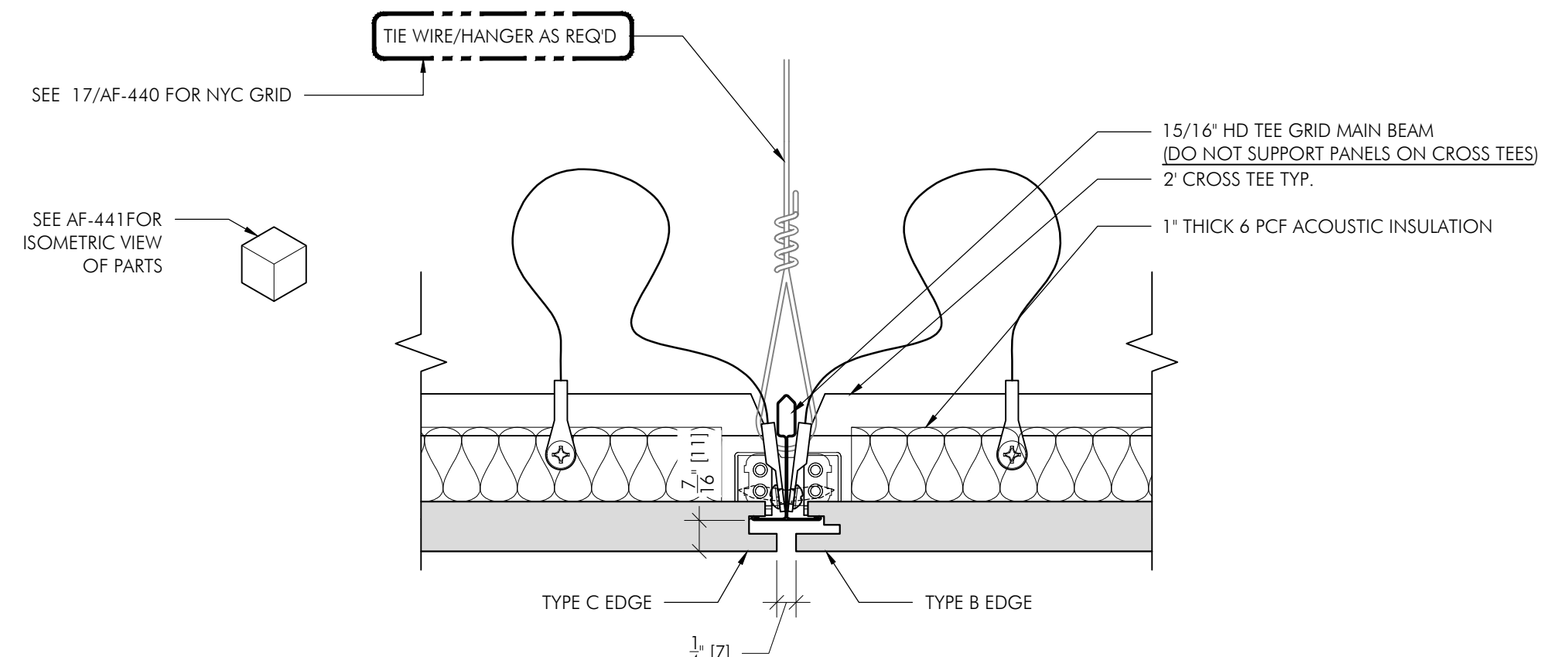
4 TYPICAL SECTION DETAIL - LONGITUDINAL
SCALE: 1 1/2"=1'-0"

SYSTEM DETAIL - EXACT SECTION
MAY NOT OCCUR ON THIS PROJECT
REF:



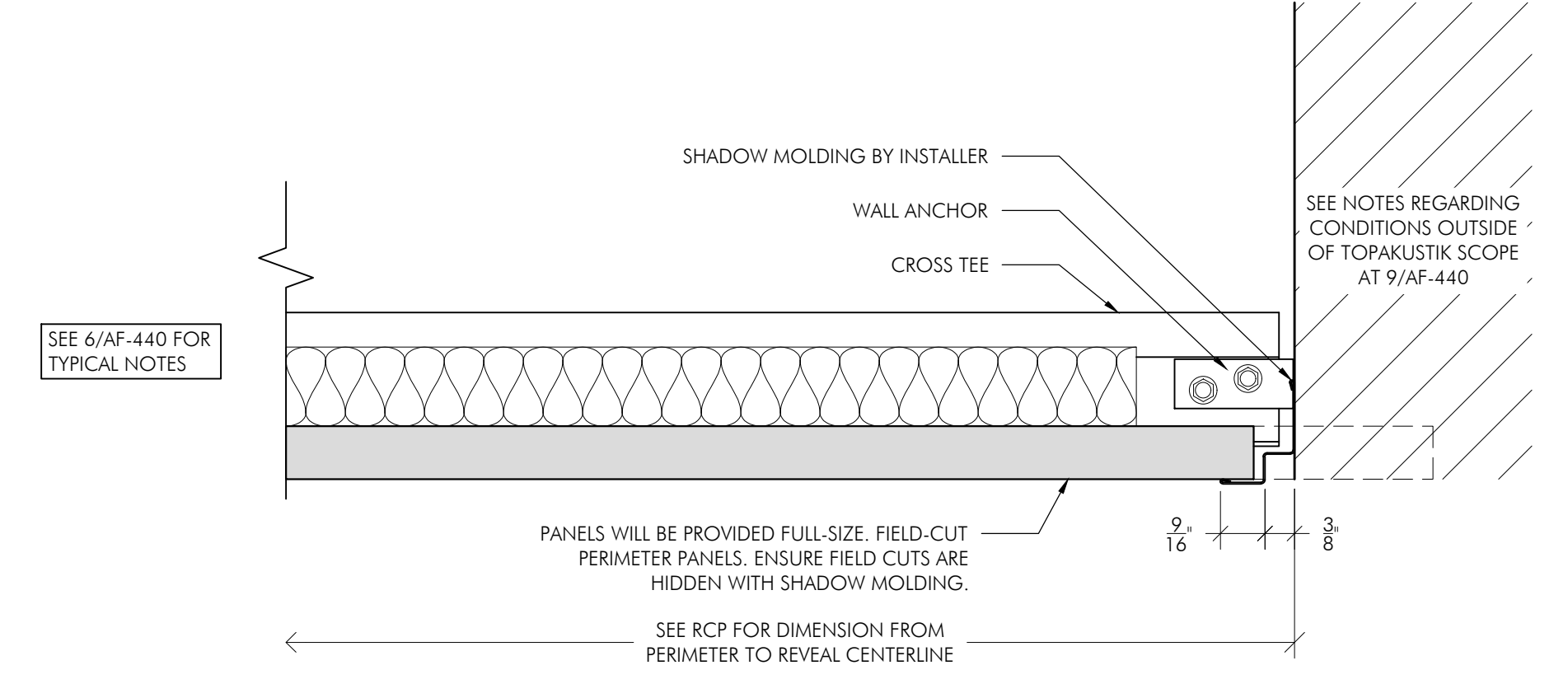
5 PANEL ACCESS
SCALE: 3"=1'-0"

REF: TYPICAL



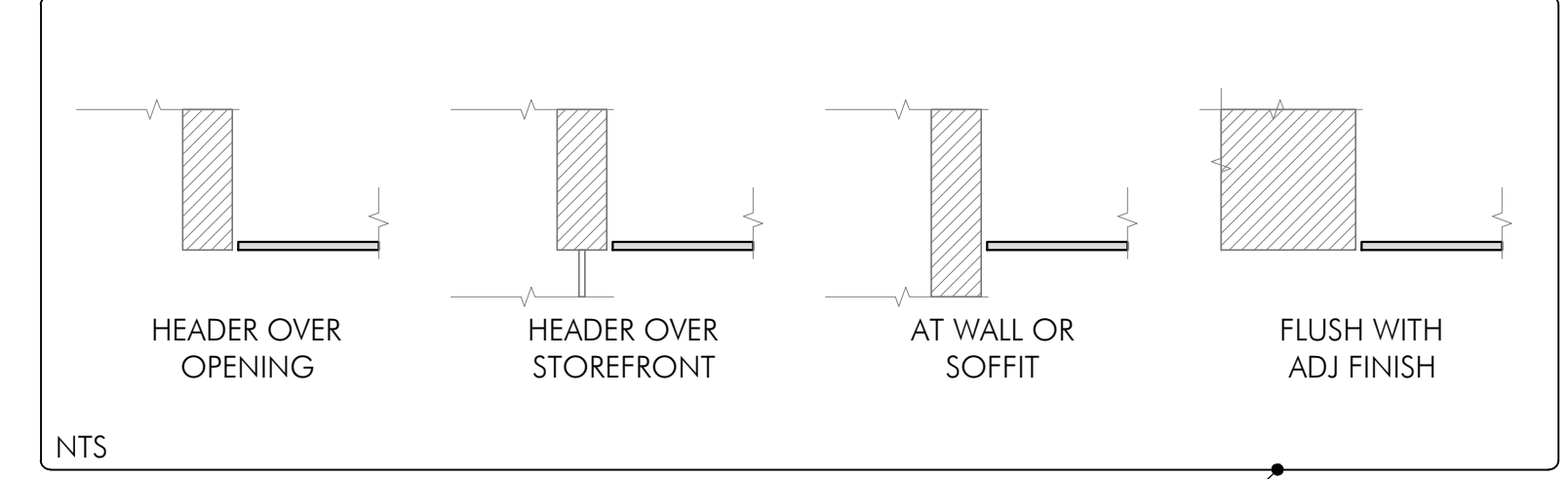
6 TRANSVERSE SECTION @ REVEAL (TYP.)
SCALE: 6"=1'-0"

REF: 1/AF-440



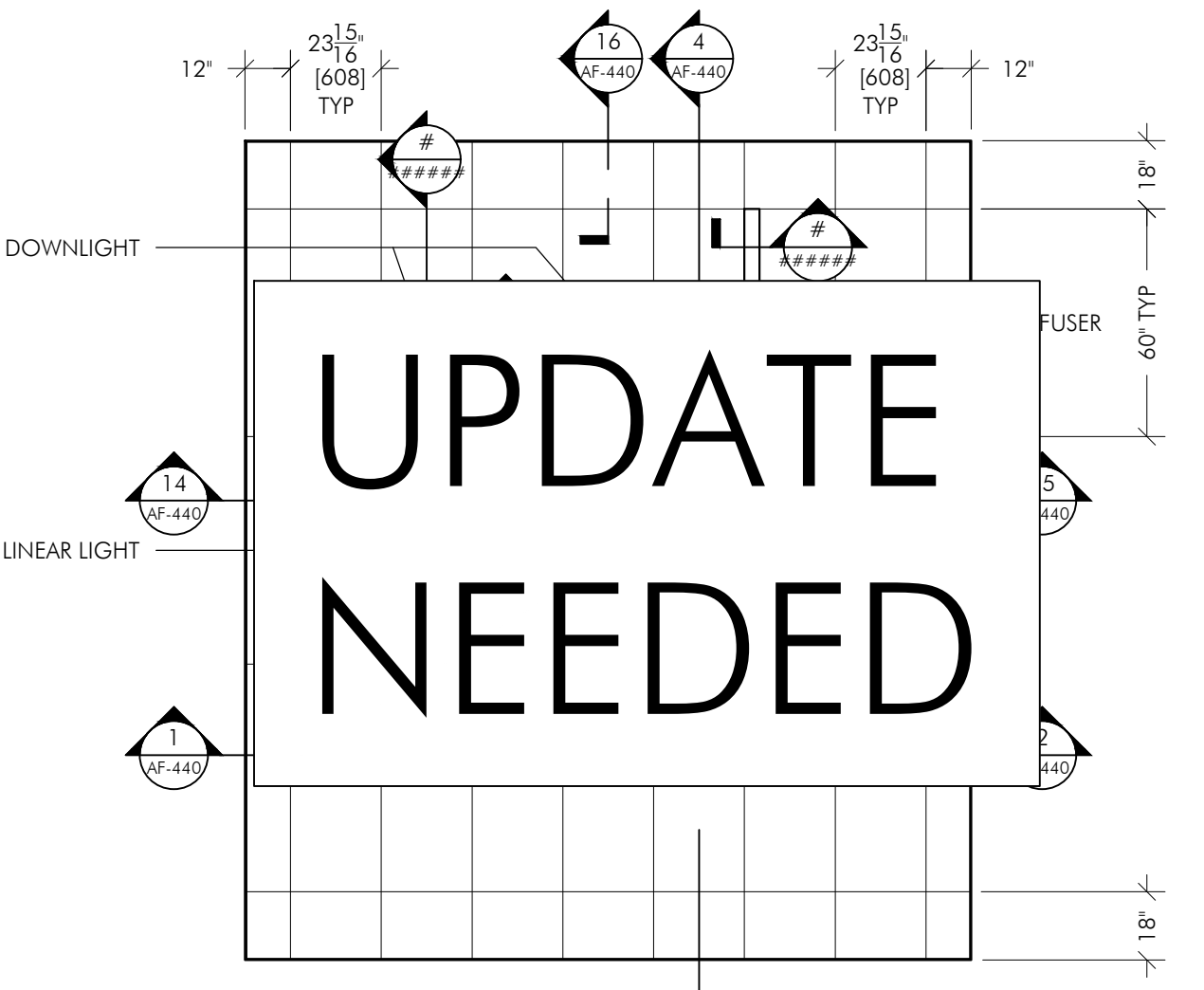
8 SECTION DETAIL - WALL SUPPORT
SCALE: 6"=1'-0"

REF: TYPICAL



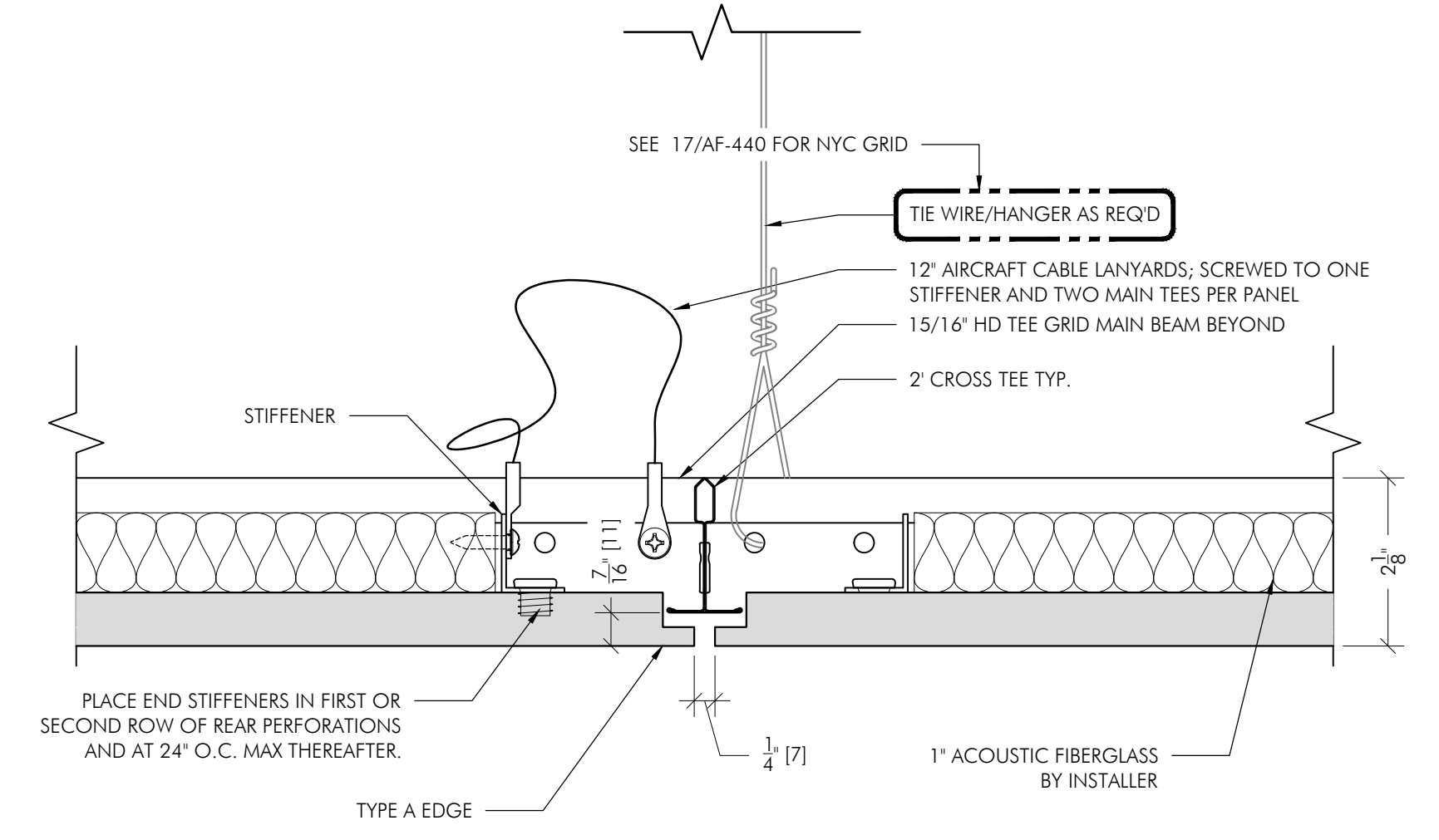
9 PERIMETER CONDITIONS
SCALE: 6"=1'-0"

REF: TYPICAL



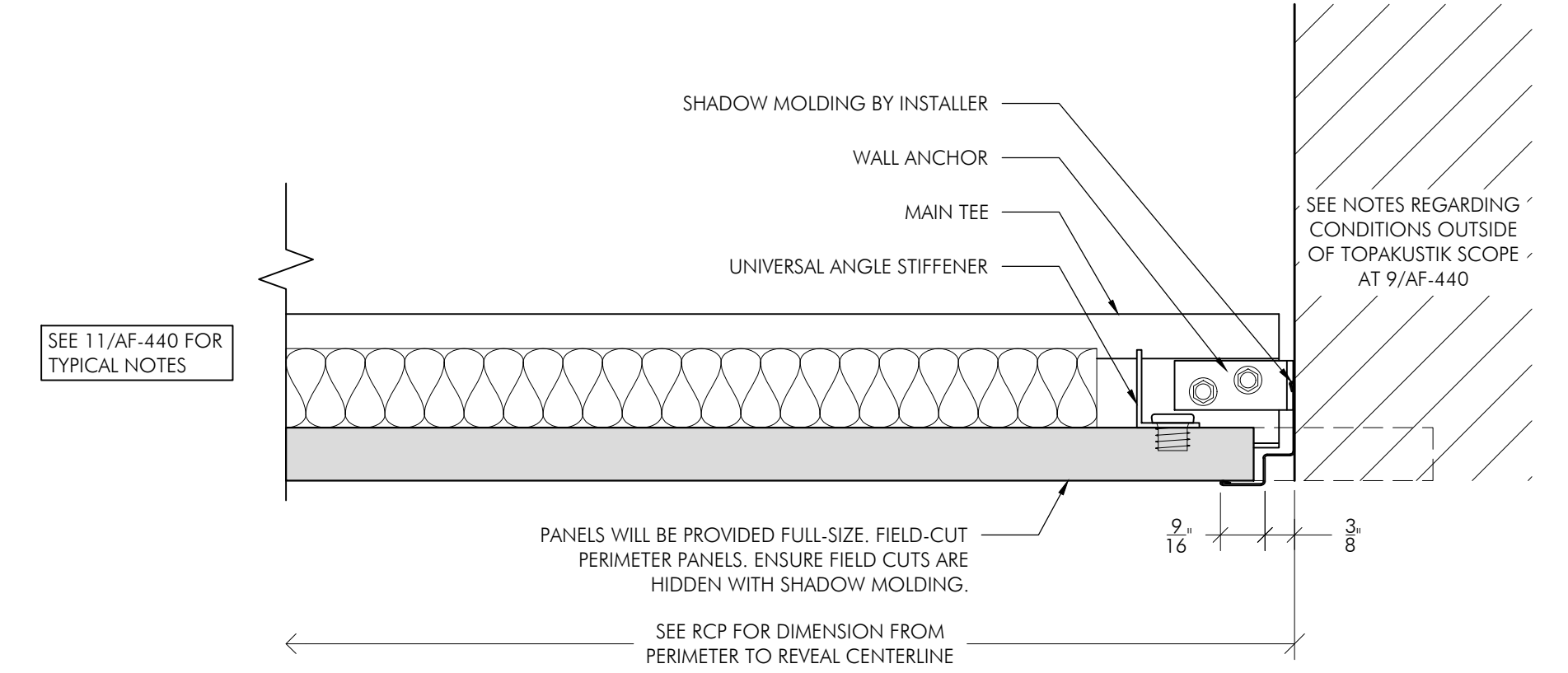
10 EXAMPLE RCP
SCALE: 1/4"=1'-0"

REF:



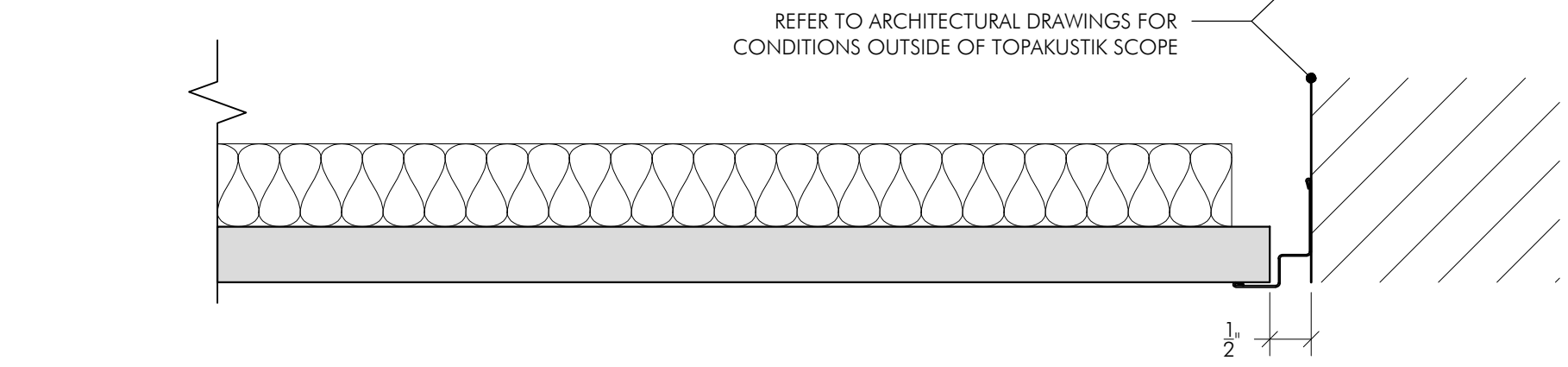
11 LONGITUDINAL SECTION @ REVEAL (TYP.)
SCALE: 6"=1'-0"

REF: 4/AF-440



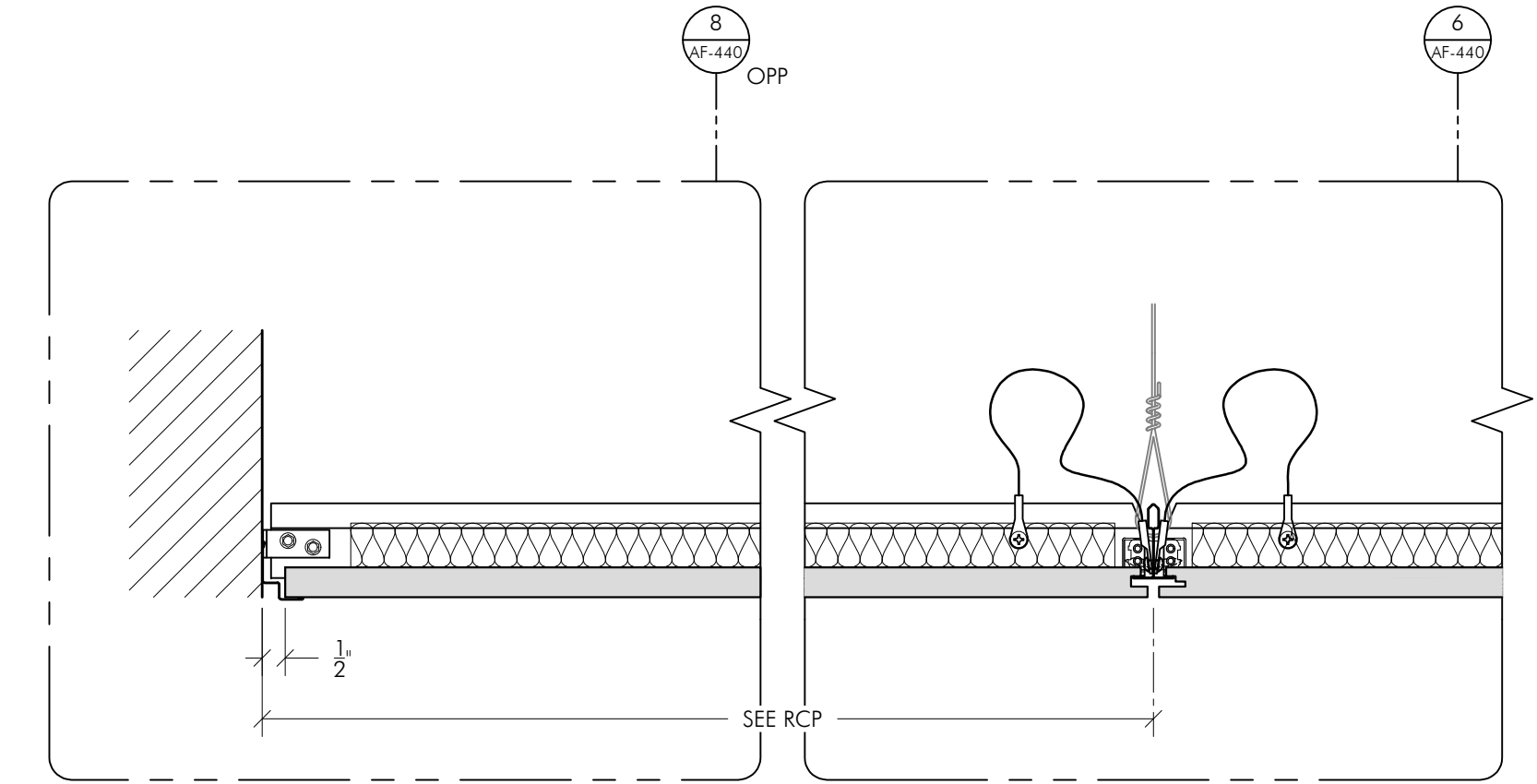
12 SECTION DETAIL - STIFFENING AT WALL
SCALE: 6"=1'-0"

REF: 4/AF-440



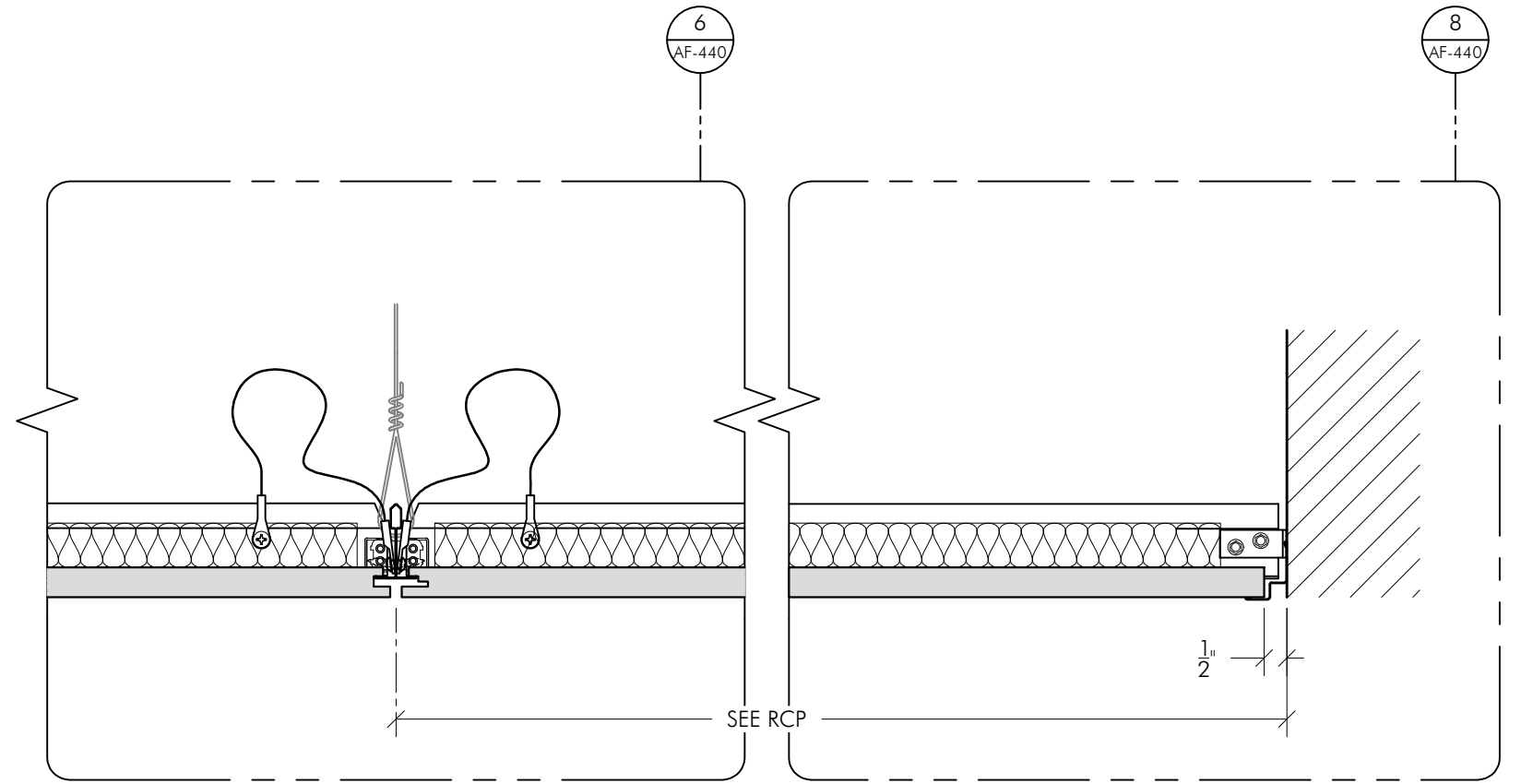
17 BLACKIRON SUSPENSION FOR NYC
SCALE: 3"=1'-0"

REF: 6 & 11/AF-440



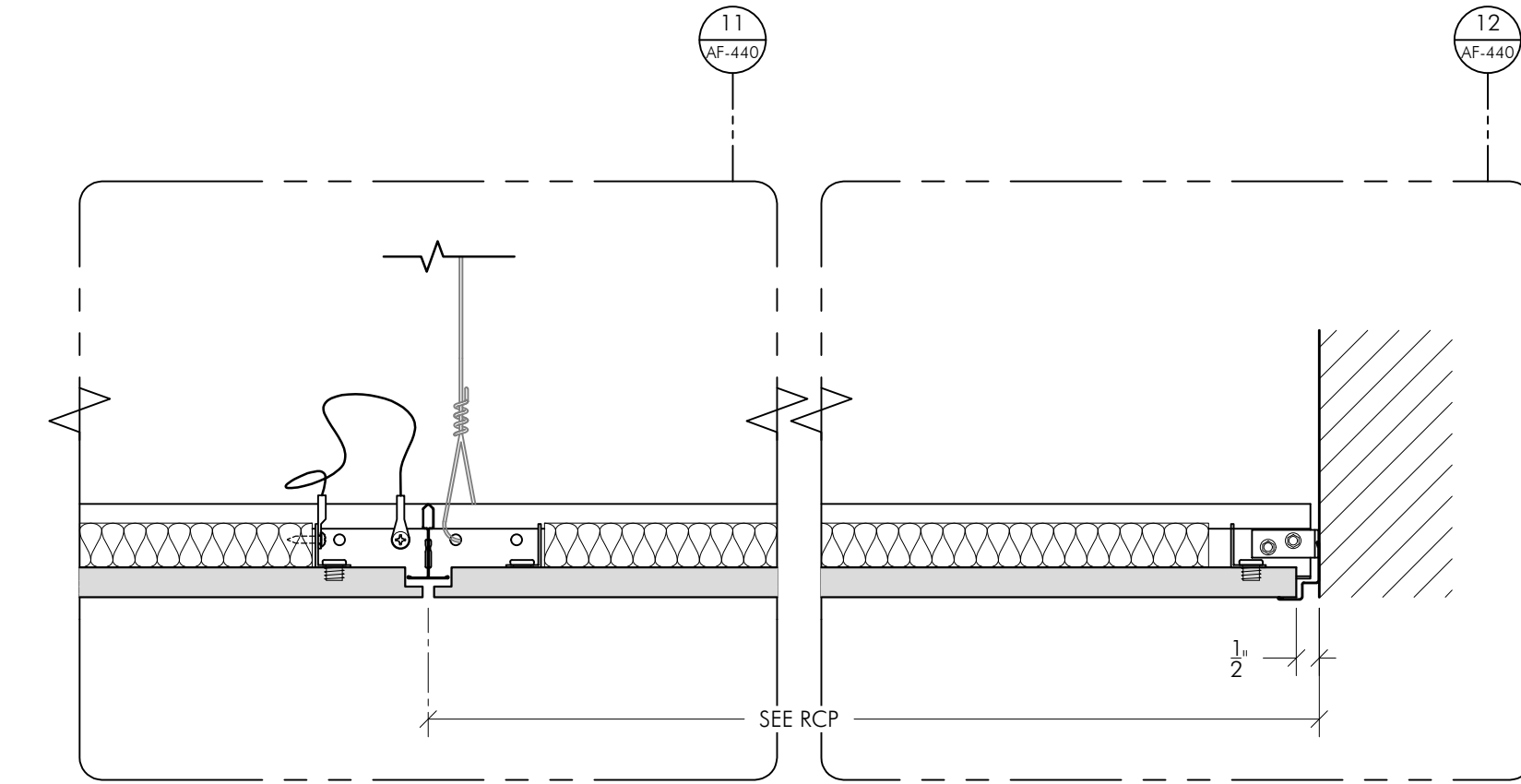
14 TRANSVERSE SECTION @ PERIMETER
SCALE: 3"=1'-0"

REF:



15 TRANSVERSE SECTION @ PERIMETER
SCALE: 3"=1'-0"

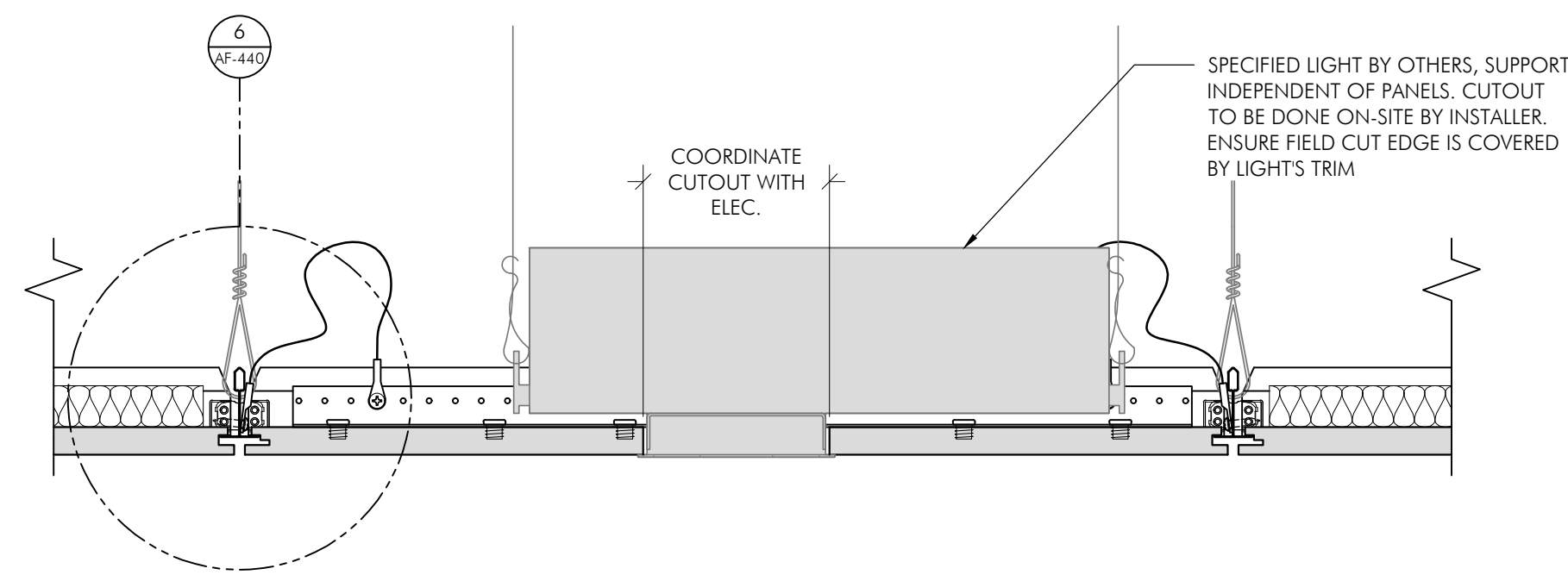
REF:



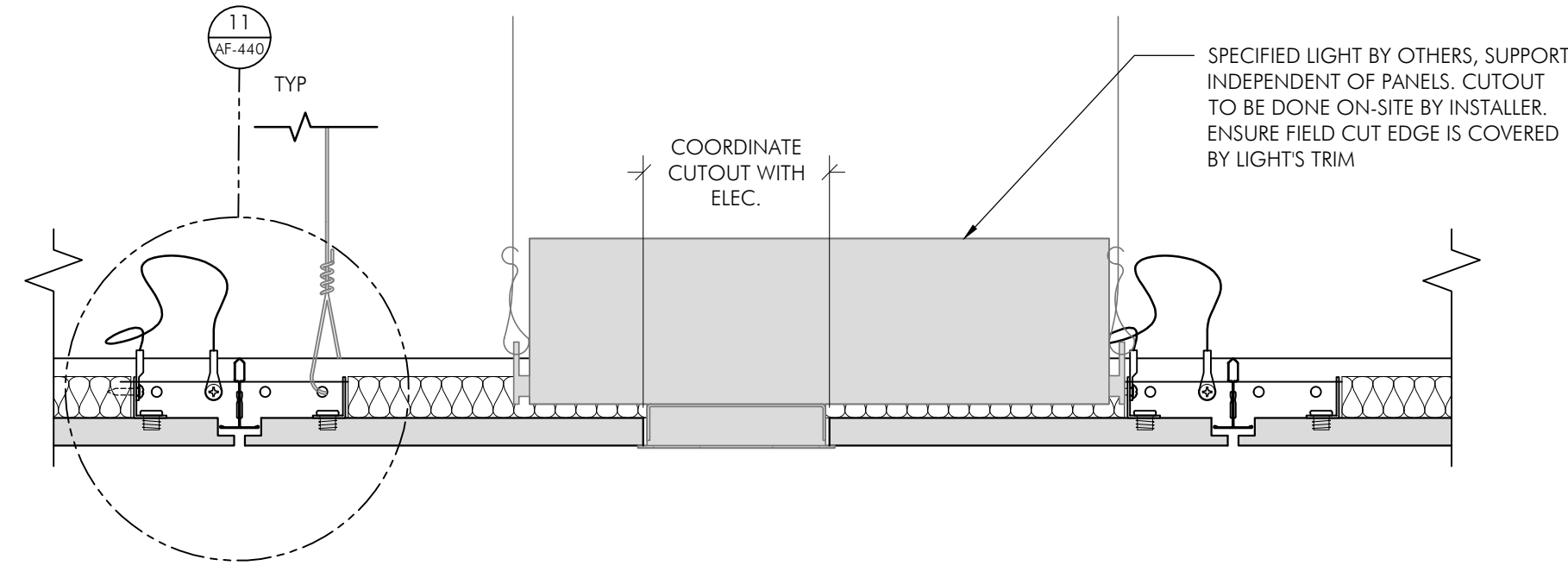
16 LONGITUDINAL SECTION @ PERIMETER
SCALE: 3"=1'-0"

REF:

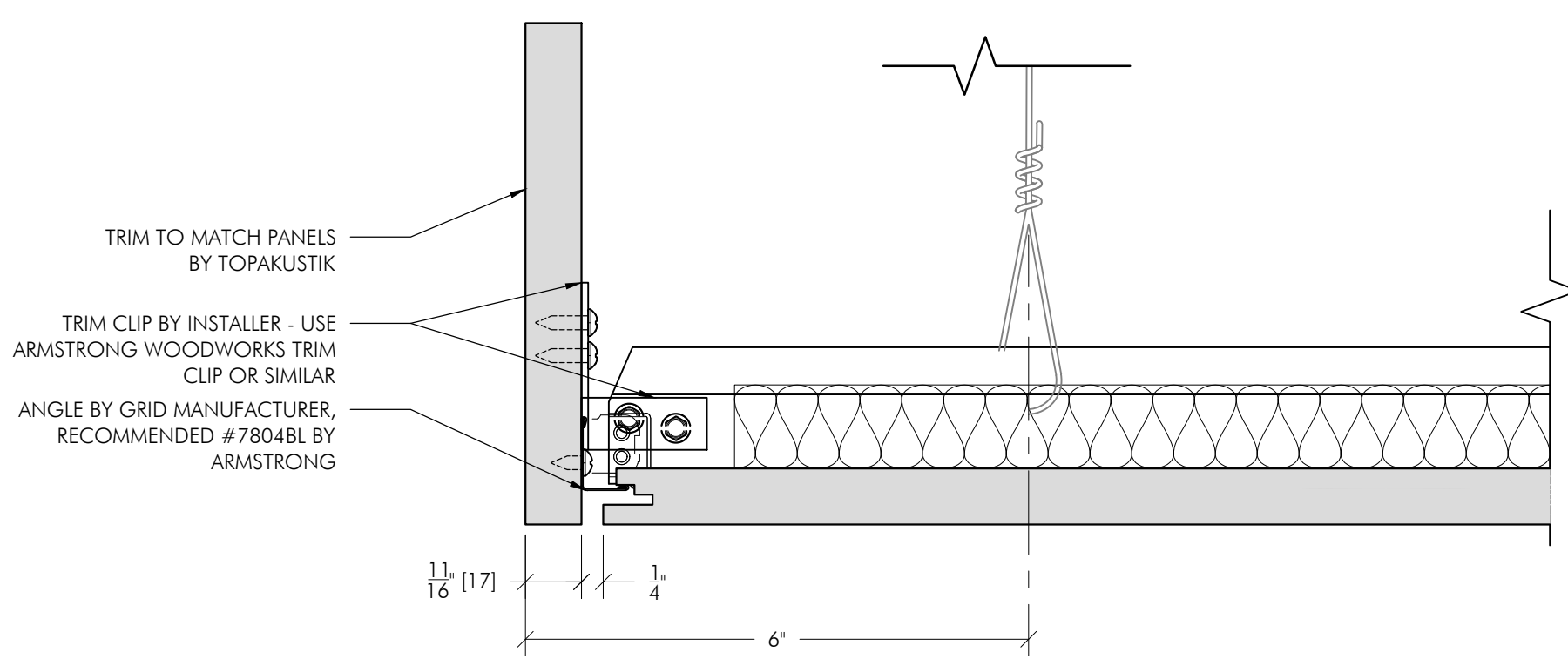
PROJECT:	Template	TOP(A)K(U)S(T)I(K)
SHEET TITLE:	CONCEALED TEE DETAILS 2	
REVISIONS:	ISSUE DATE:	SCALE:
▲	11/21/2024	NOTED
▲	PROJ MGR:	PAGE NO:
▲		2/3
▲	PRODUCTION TOLERANCE:	REV NO:
	0.36" = 1/32"	0
	(±1/32" PER 36" OF PRODUCT)	
		AF-440



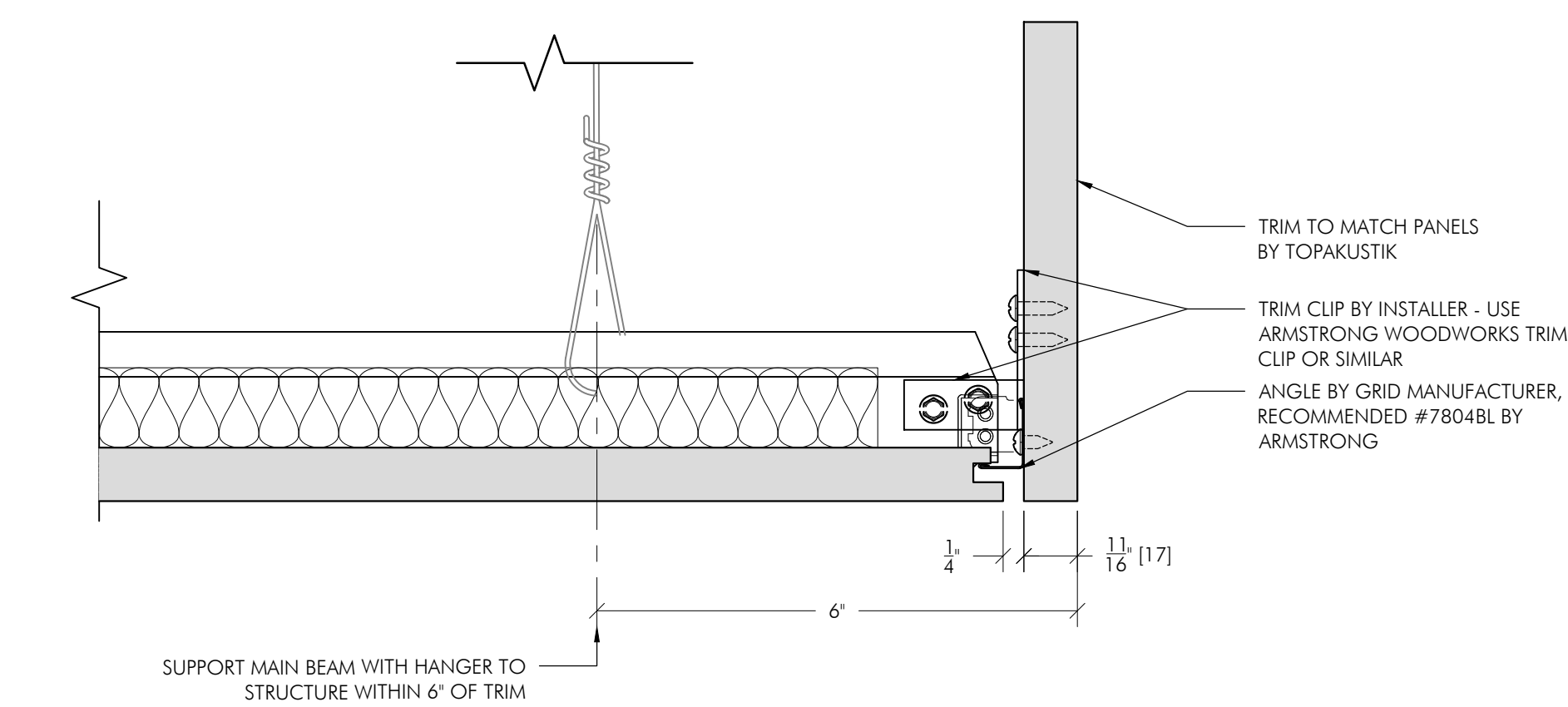
2 TYPICAL SECTION DETAIL - TRANSVERSE AT LIGHT
SCALE: 3"=1'-0" REF: TYPICAL



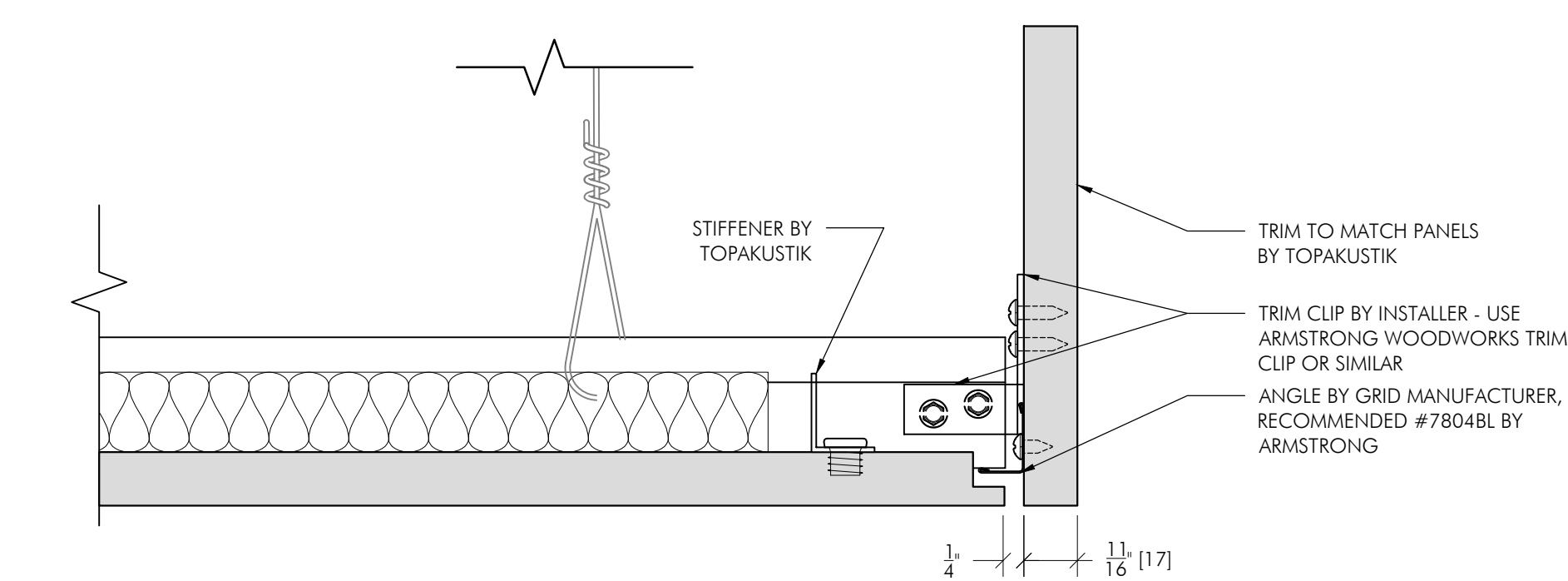
2 TYPICAL SECTION DETAIL - LONGITUDINAL AT LIGHT
SCALE: 3"=1'-0" REF: TYPICAL



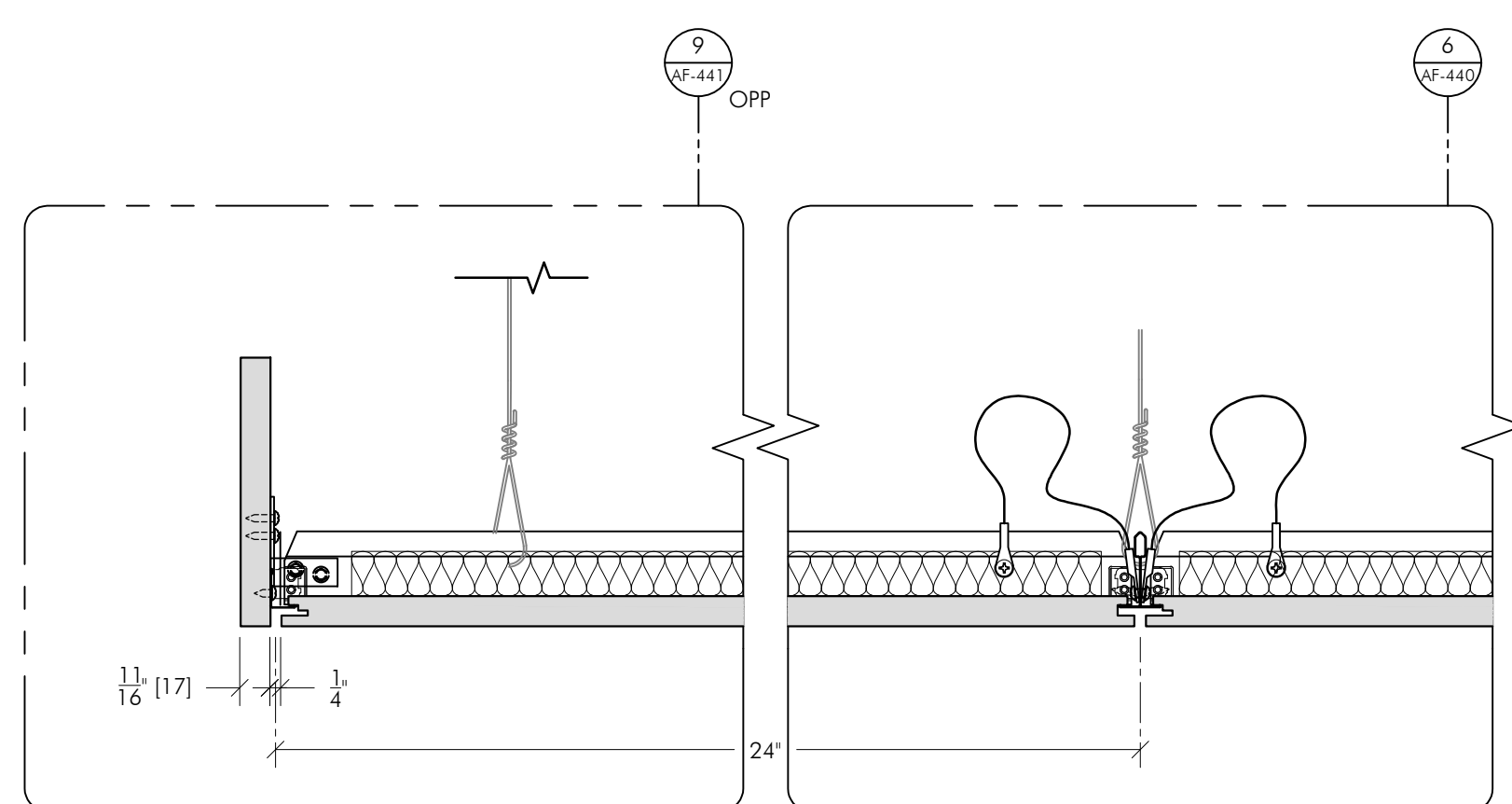
9 TRANSVERSE SECTION AT TRIM
SCALE: 6"=1'-0" REF:



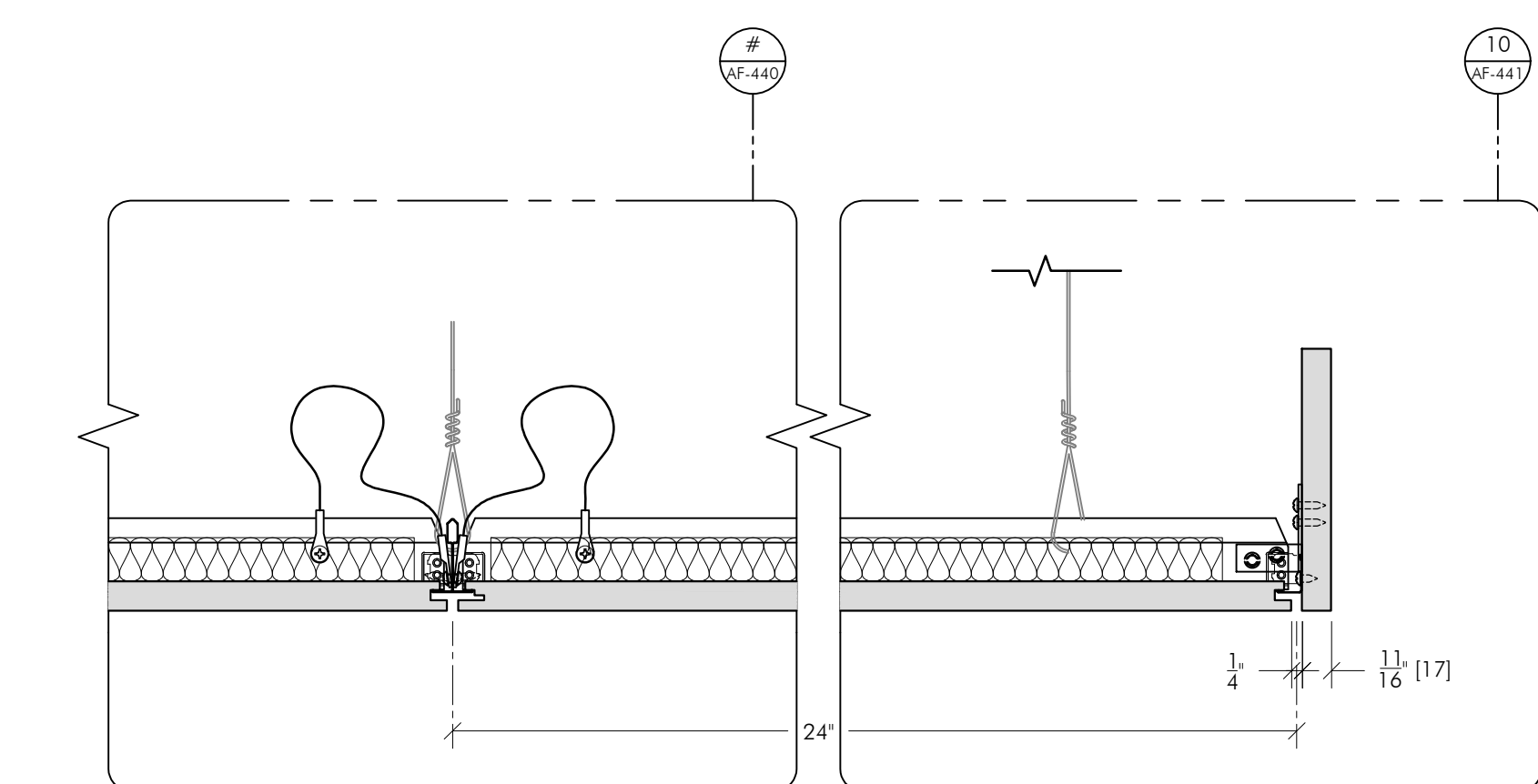
10 TRANSVERSE SECTION AT TRIM
SCALE: 6"=1'-0" REF:



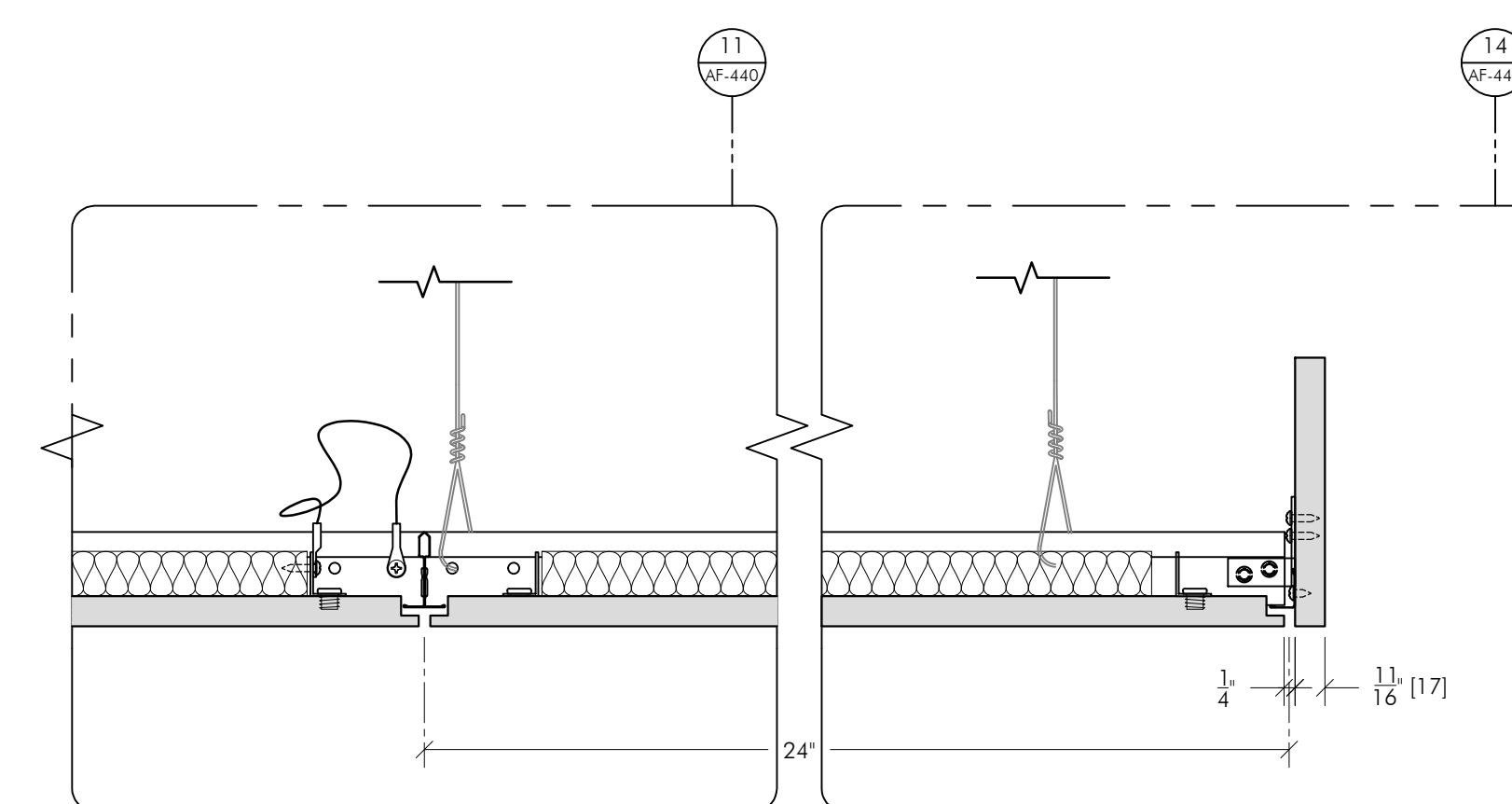
14 LONGITUDINAL SECTION AT TRIM
SCALE: 6"=1'-0" REF:



14 TRANSVERSE SECTION @ TRIM
SCALE: 3"=1'-0" REF:



15 TRANSVERSE SECTION @ TRIM
SCALE: 3"=1'-0" REF:



16 LONGITUDINAL SECTION @ TRIM
SCALE: 3"=1'-0" REF:

PROJECT: Template		TOP(A)K(U)S(T)I(K)	
SHEET TITLE: CONCEALED TEE DETAILS 2			
REVISIONS:	ISSUE DATE: 11/21/2024	SCALE:	3 RD ANG. PROJ.
△	PROJ MGR:	NOTED	PROJ
△	DRAWN BY:	PAGE NO.:	3/3
△	PRODUCTION TOLERANCE: 0.36" ± 1/32" (±1/32" PER 36" OF PRODUCT)	REV NO.:	0
			AF-441