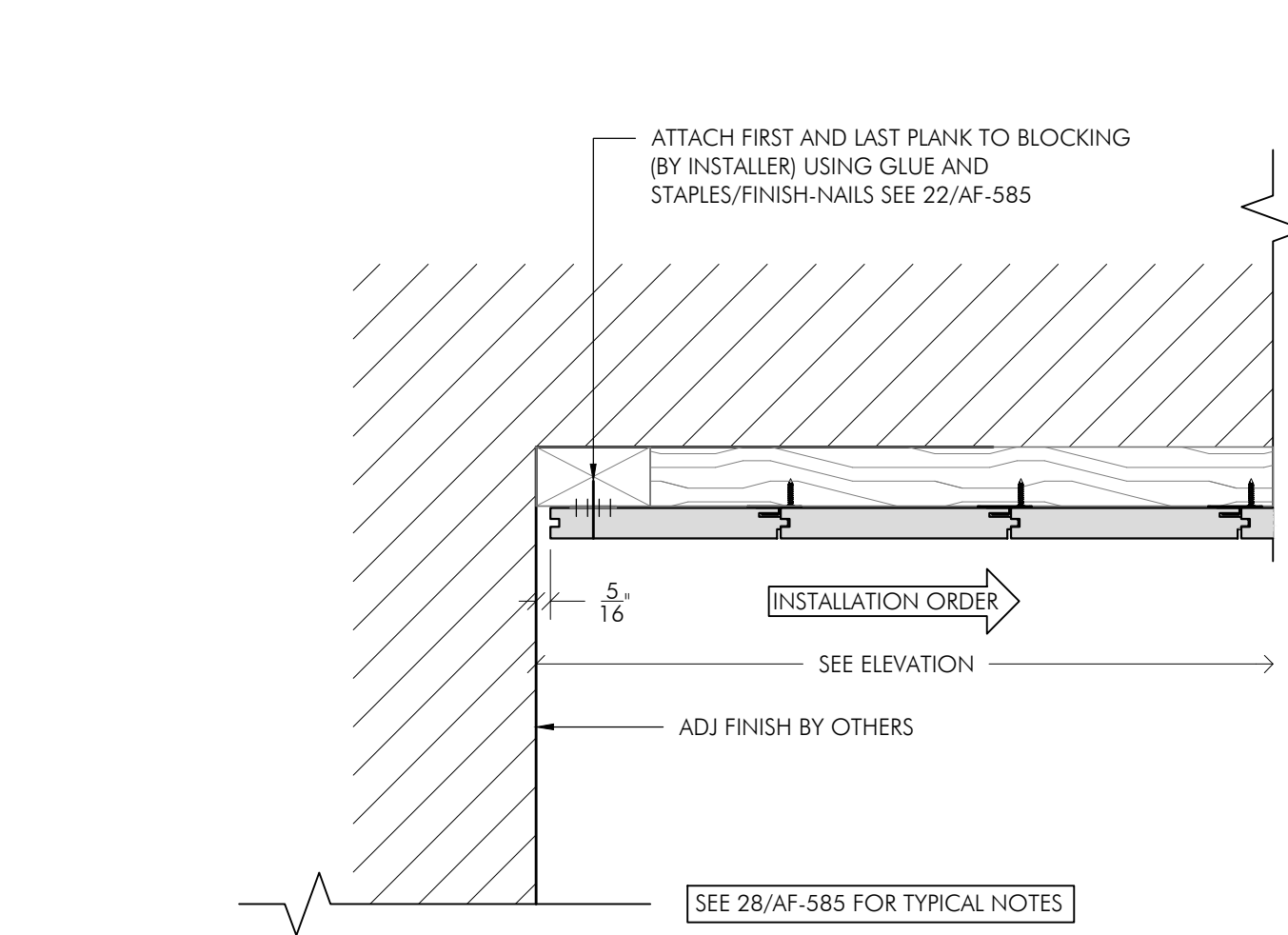
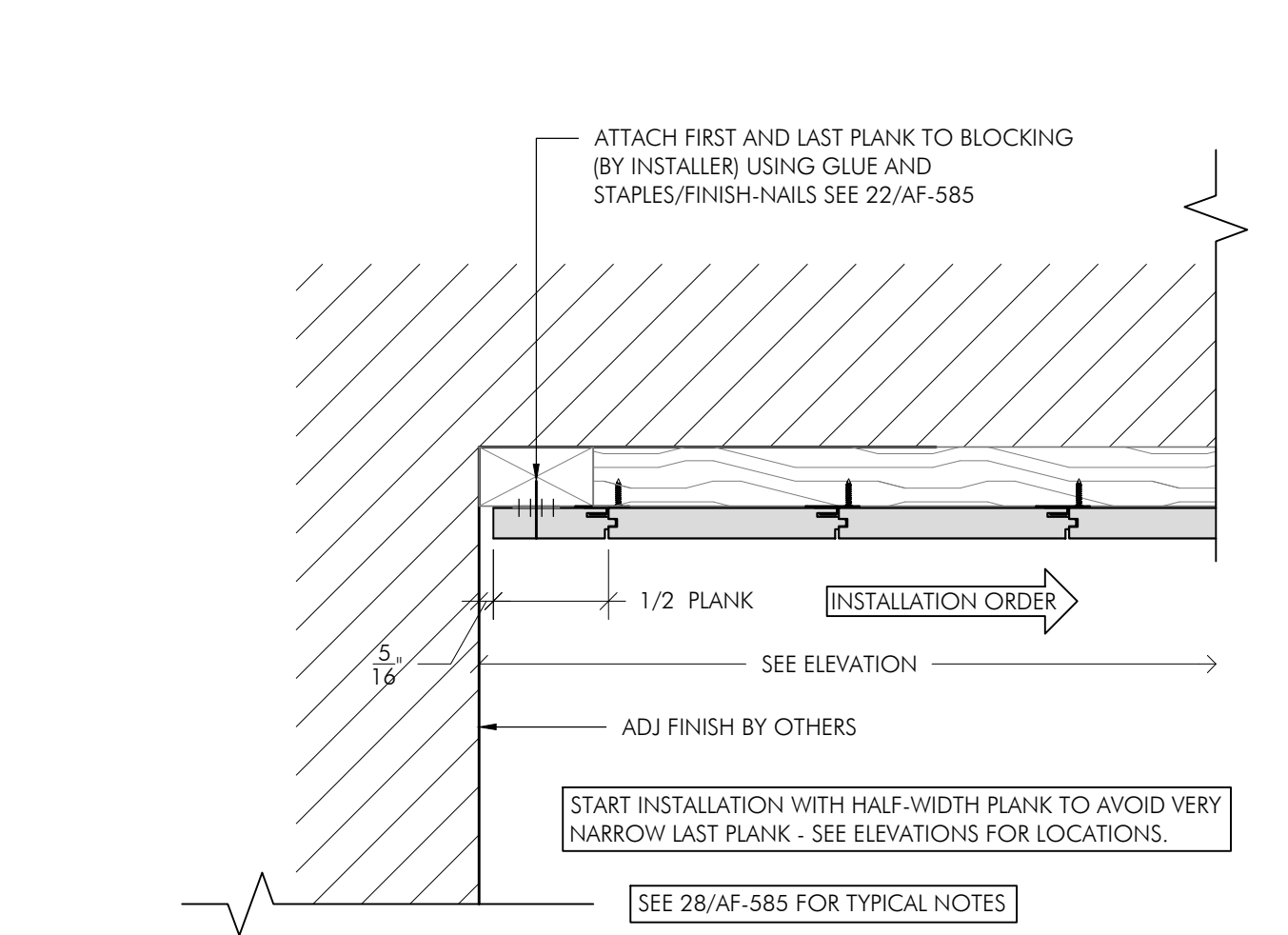


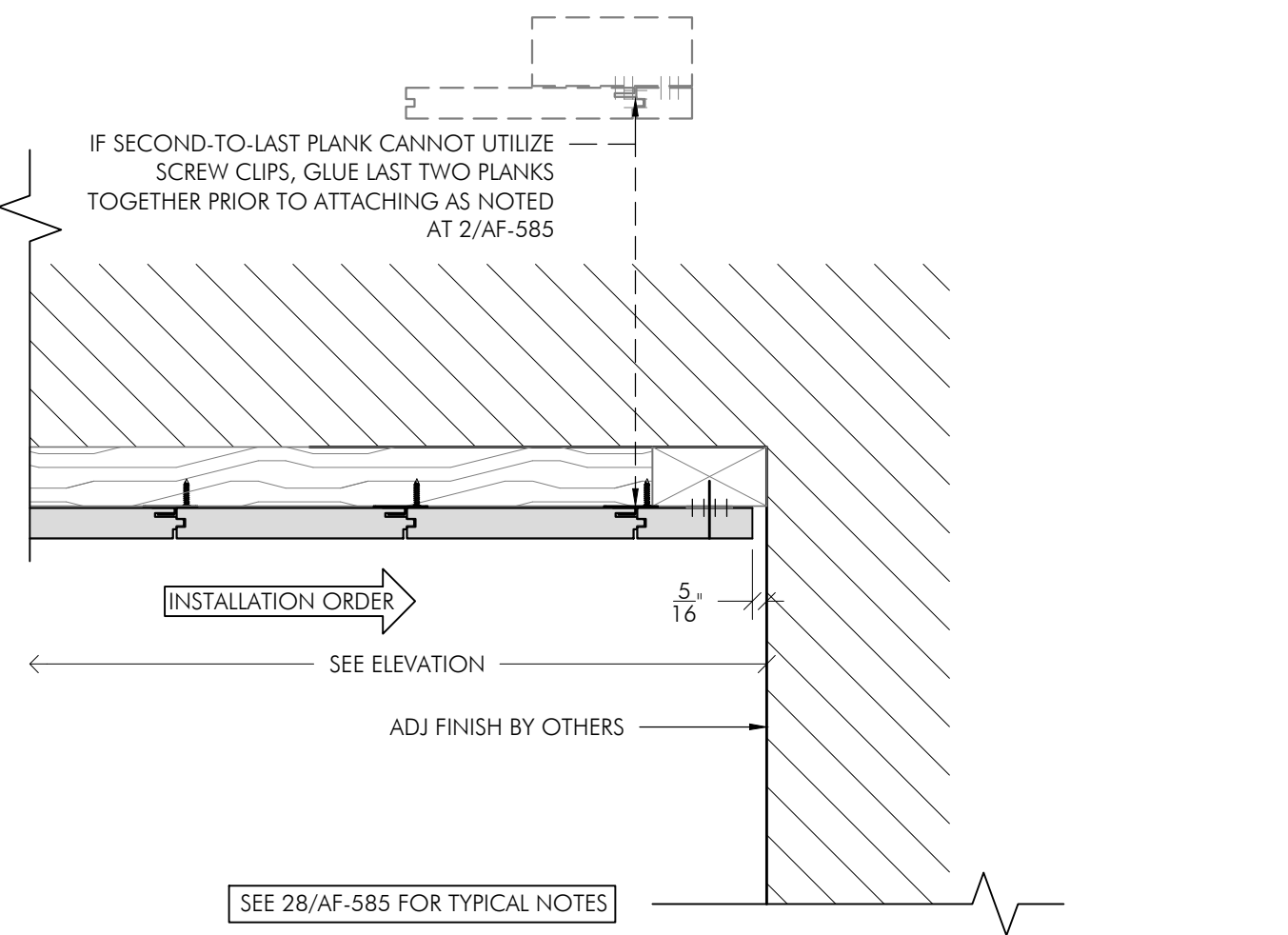
1 HEAD DETAIL - SECTION  
SCALE: 3"=1'-0" REF: 7/AF-585 FOR TYPICAL NOTES



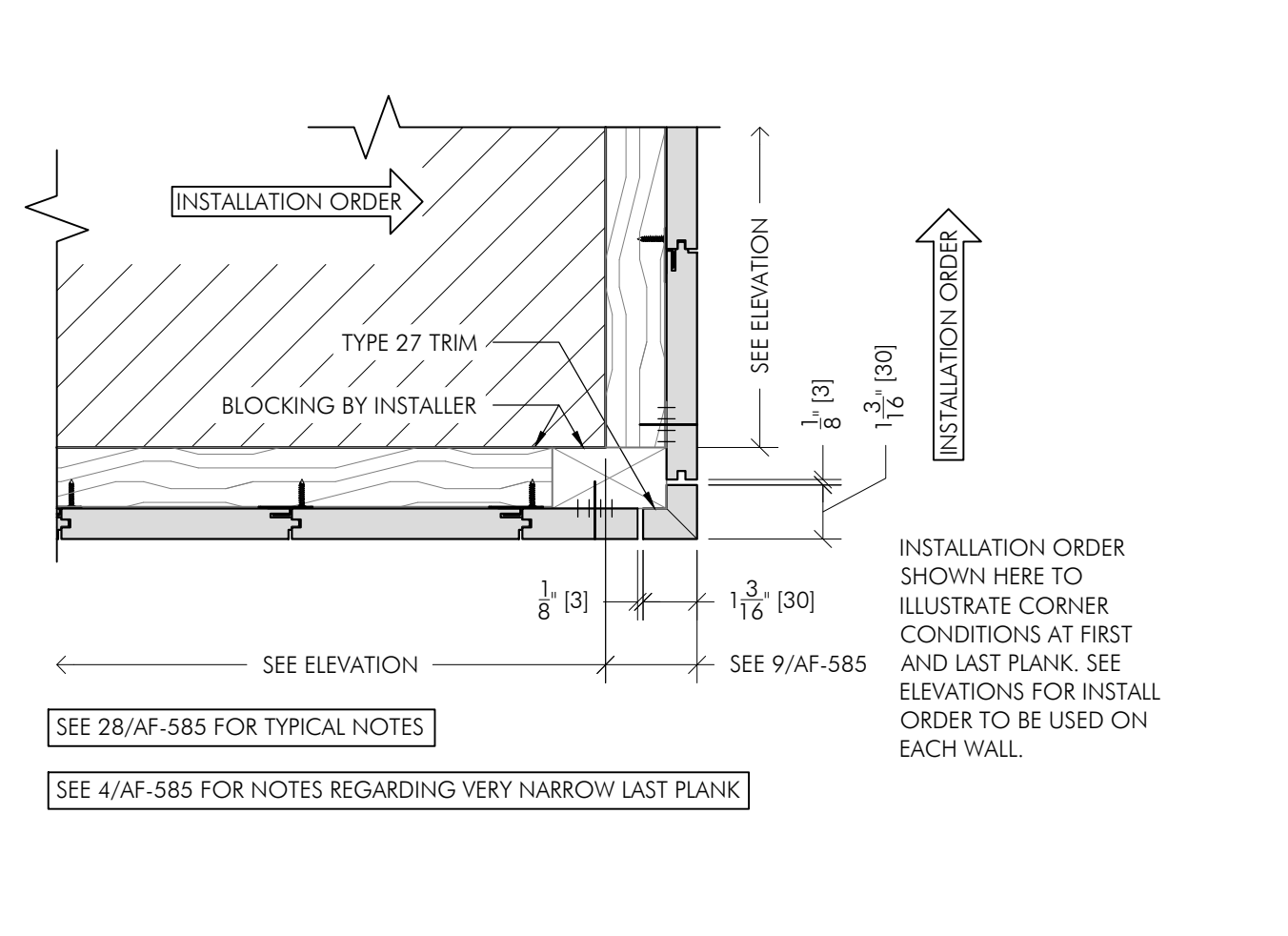
2 INSIDE CORNER START - PLAN  
SCALE: 3"=1'-0" REF: 28/AF-585 FOR TYPICAL NOTES



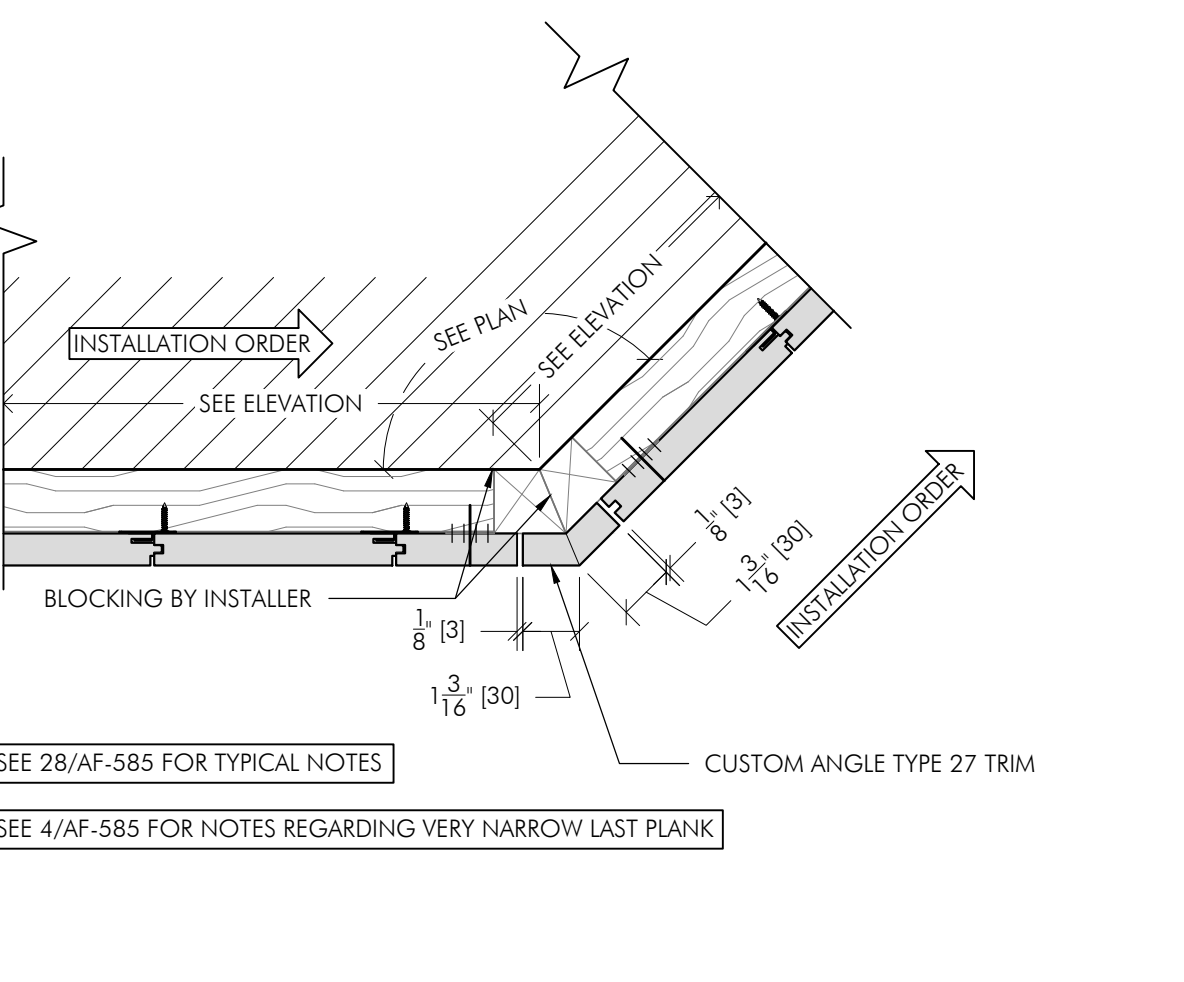
3 HALF-WIDTH STARTING PLANK  
SCALE: 3"=1'-0" REF: 28/AF-585 FOR TYPICAL NOTES



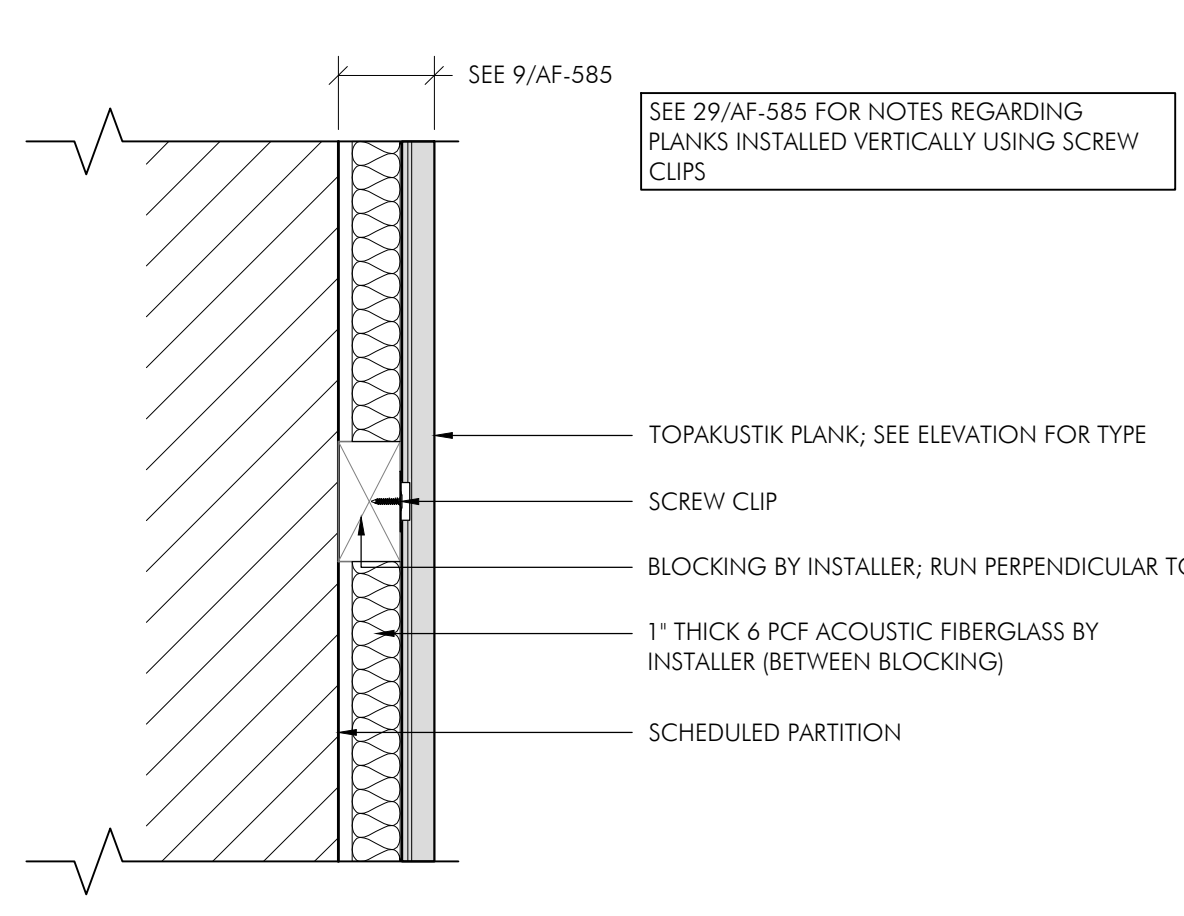
4 INSIDE CORNER END - PLAN  
SCALE: 3"=1'-0" REF: 28/AF-585 FOR TYPICAL NOTES



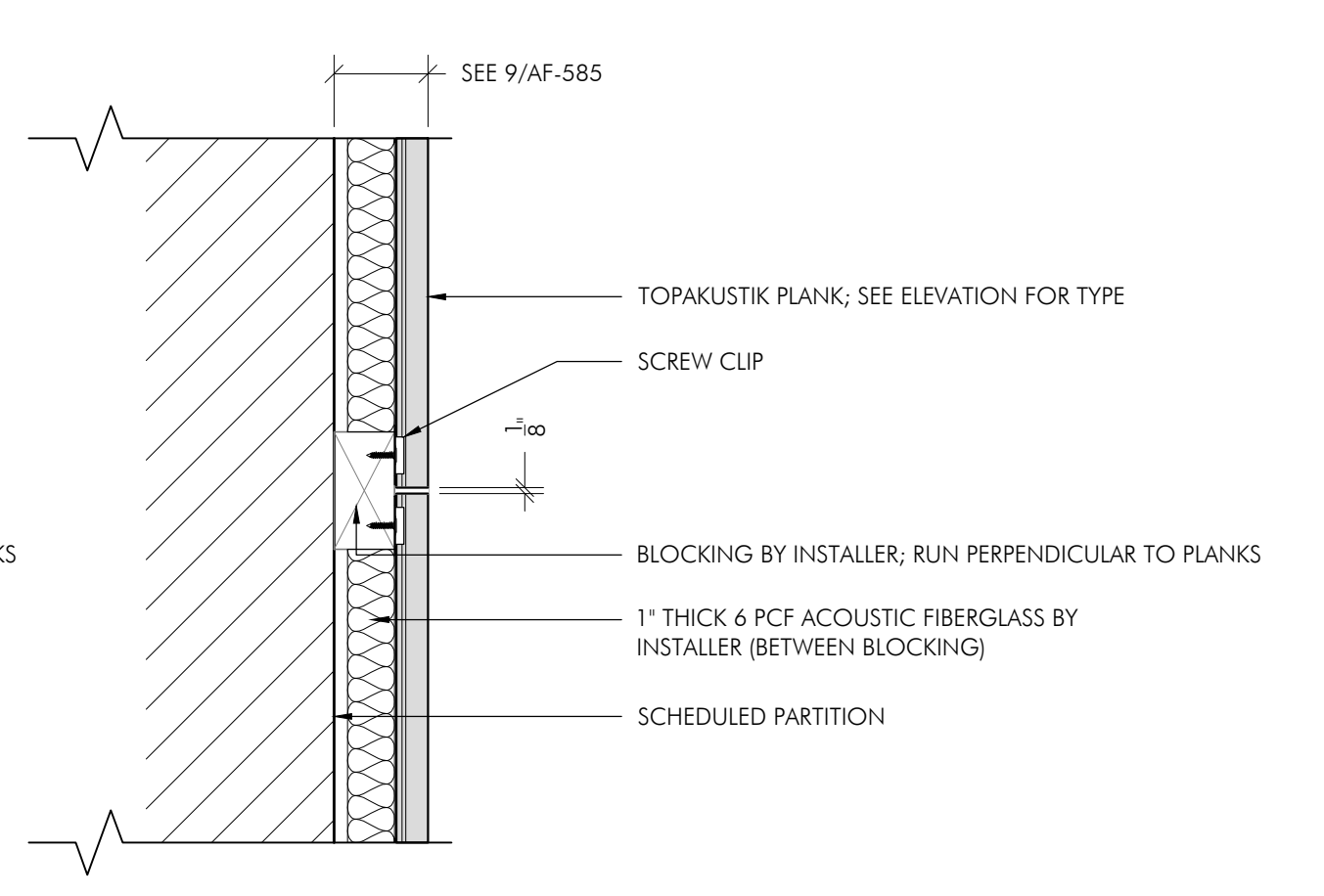
5 OUTSIDE CORNER - TYPE 27  
SCALE: 3"=1'-0" REF: 28/AF-585 FOR TYPICAL NOTES



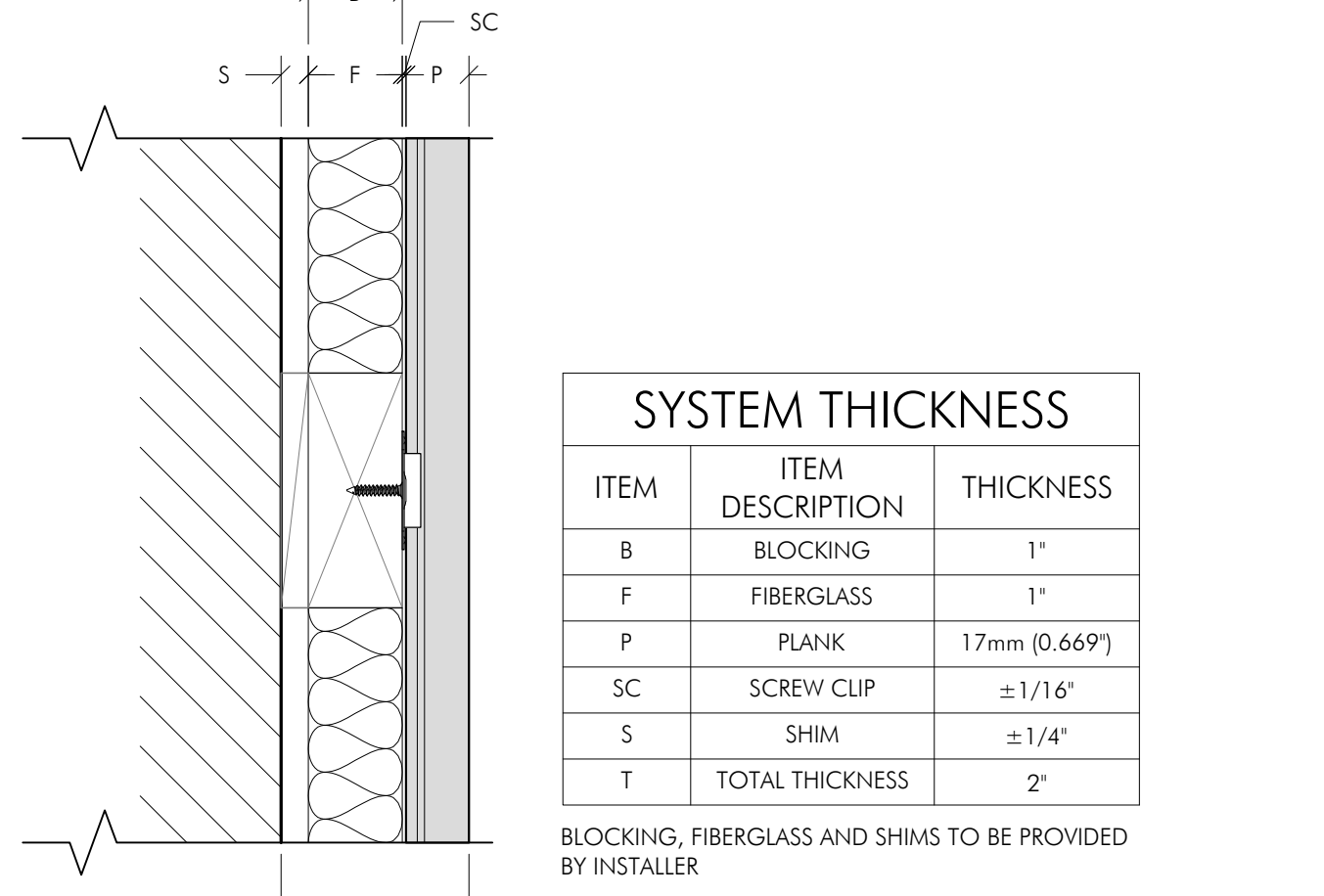
6 CUSTOM ANGLE - TYPE 27  
SCALE: 3"=1'-0" REF: 4/AF-585 FOR NOTES REGARDING VERY NARROW LAST PLANK



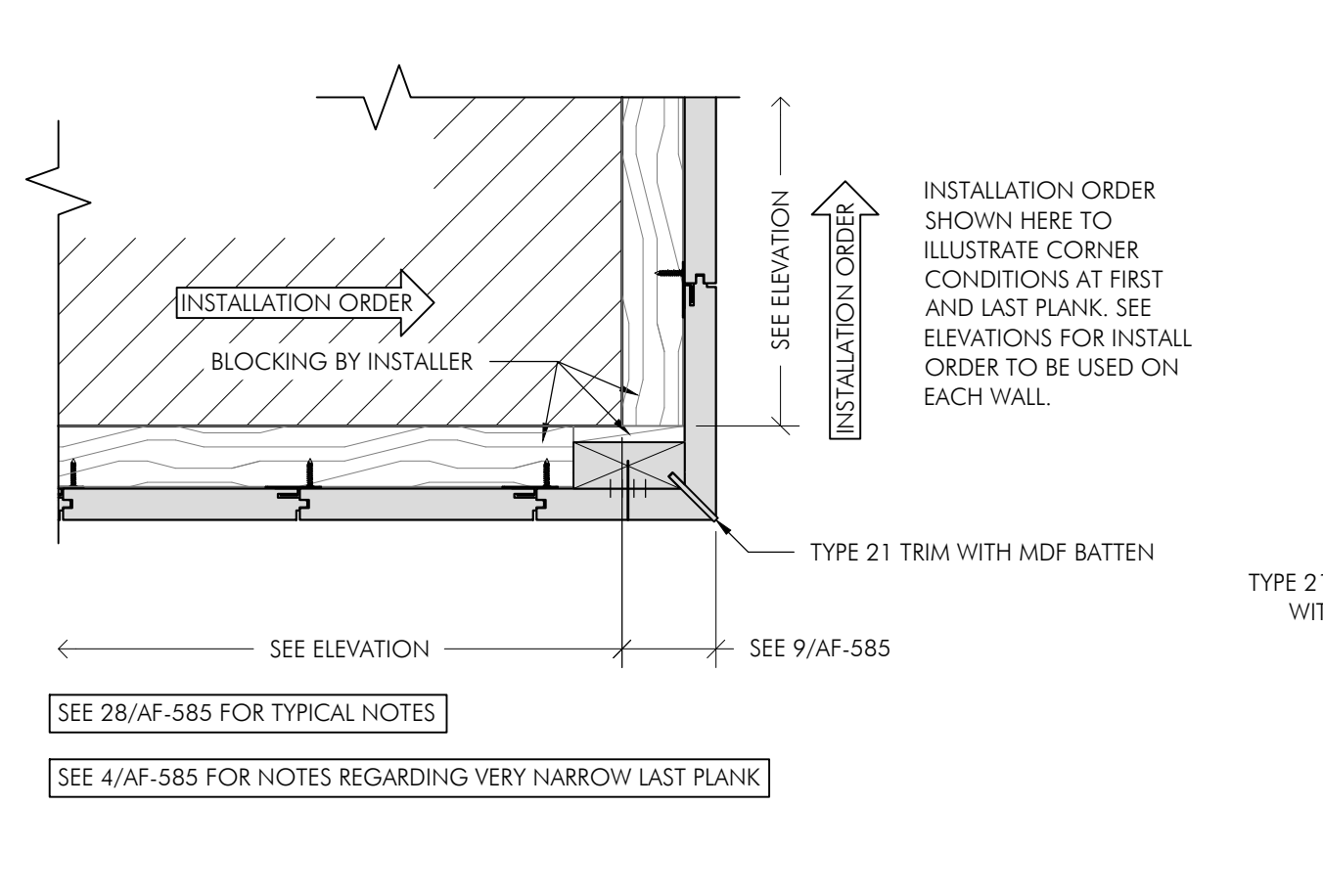
7 TYPICAL SECTION  
SCALE: 3"=1'-0" REF: 29/AF-585 FOR NOTES REGARDING PLANKS INSTALLED VERTICALLY USING SCREW CLIPS



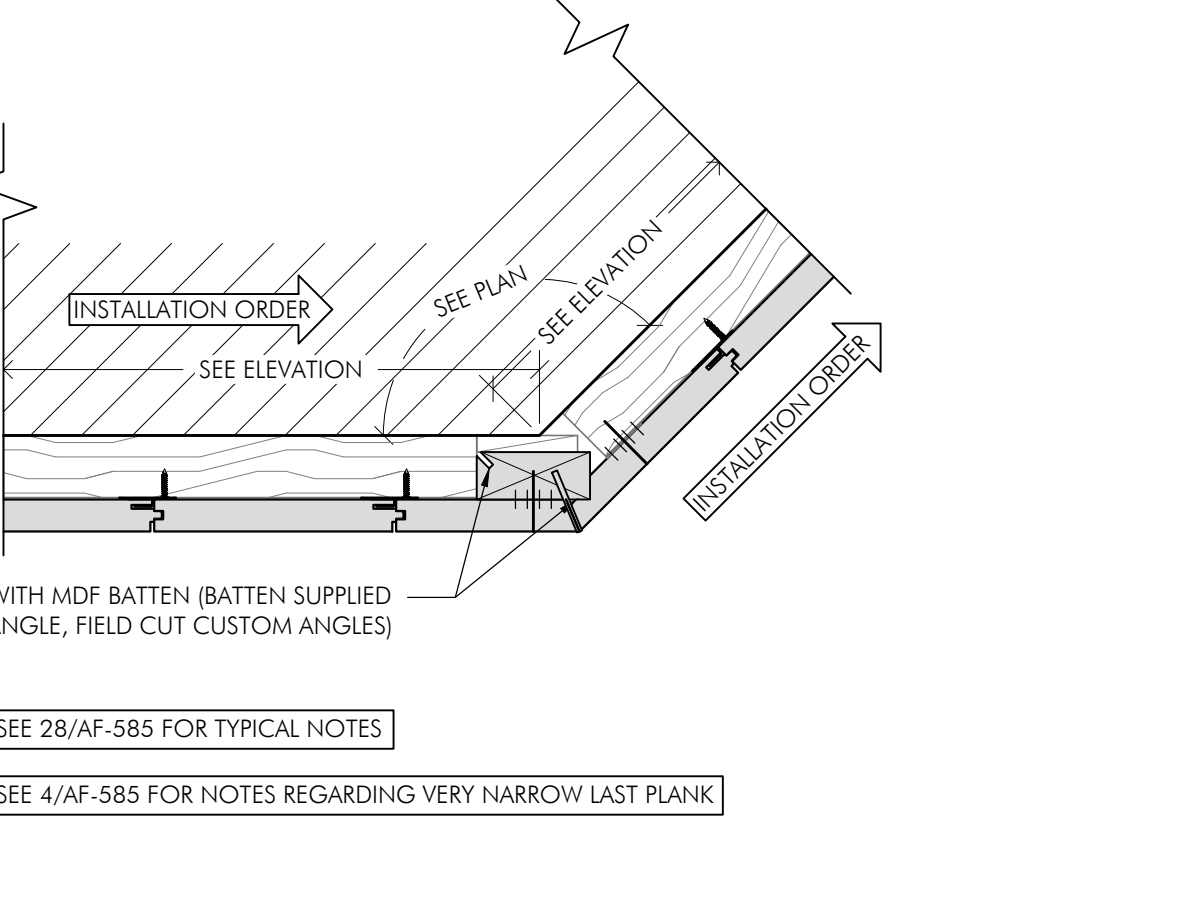
8 TYPICAL SECTION AT REVEAL  
SCALE: 3"=1'-0" REF: 29/AF-585 FOR NOTES REGARDING PLANKS INSTALLED VERTICALLY USING SCREW CLIPS



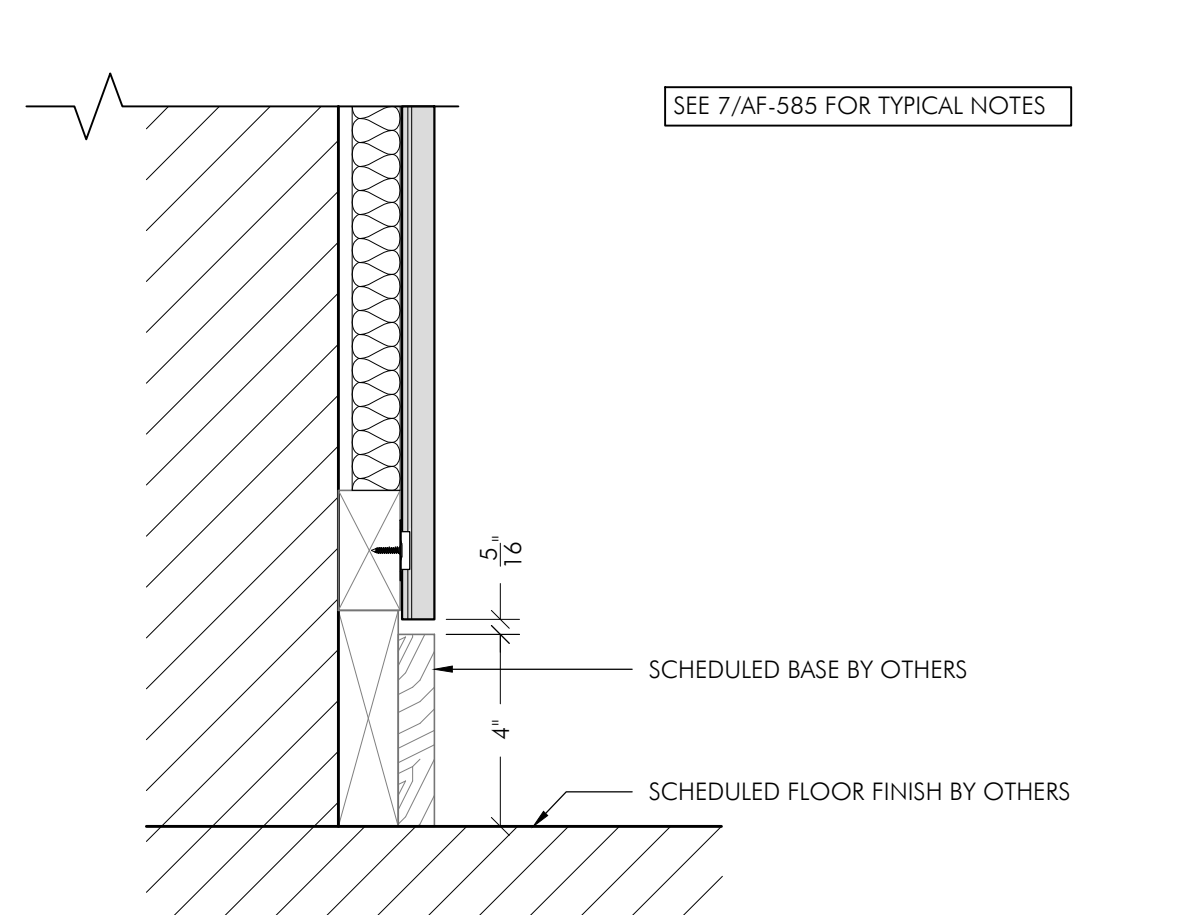
9 SYSTEM THICKNESS  
SCALE: 6"=1'-0" REF: 8/AF-585



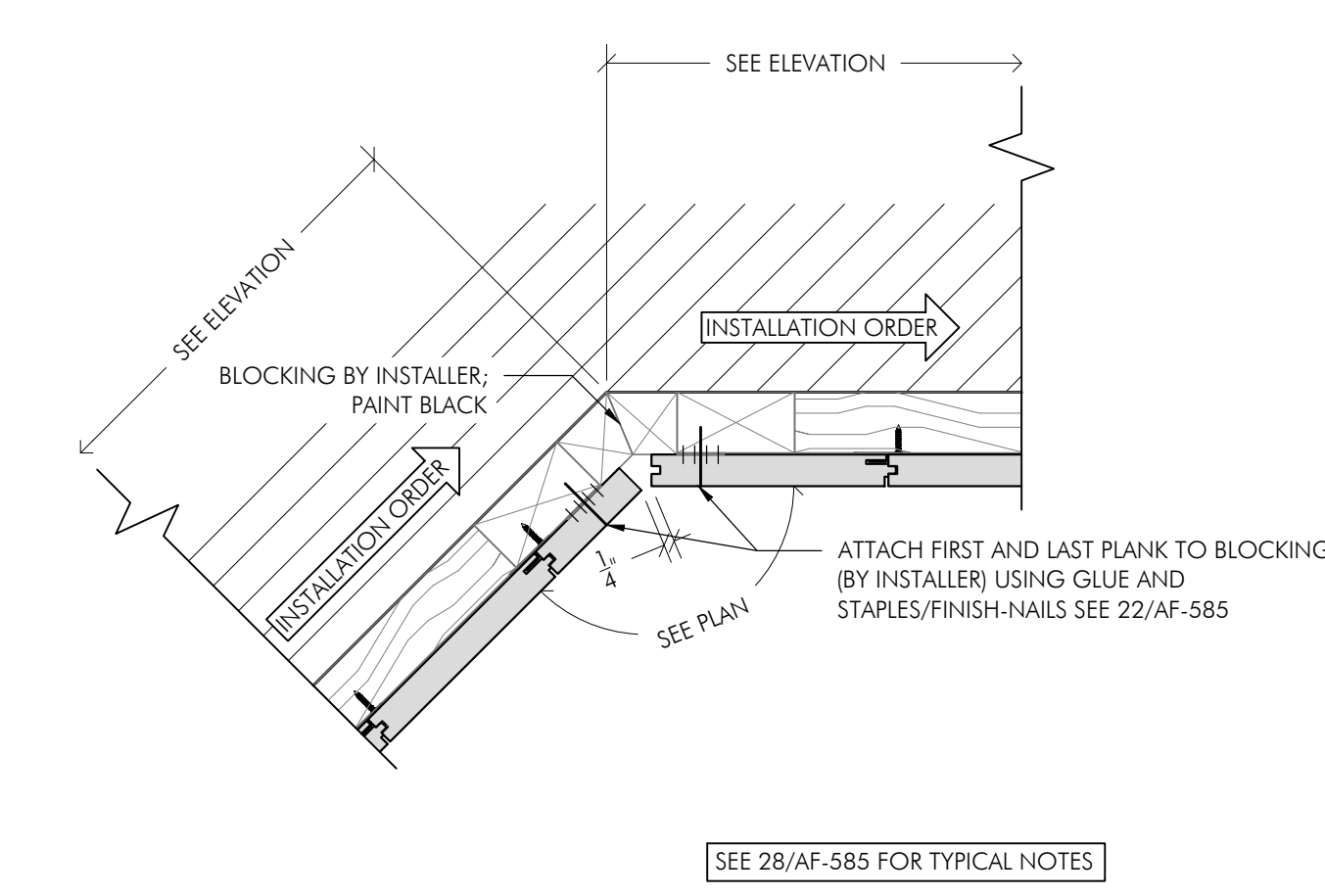
11 OUTSIDE CORNER - TYPE 21  
SCALE: 3"=1'-0" REF: 28/AF-585 FOR TYPICAL NOTES



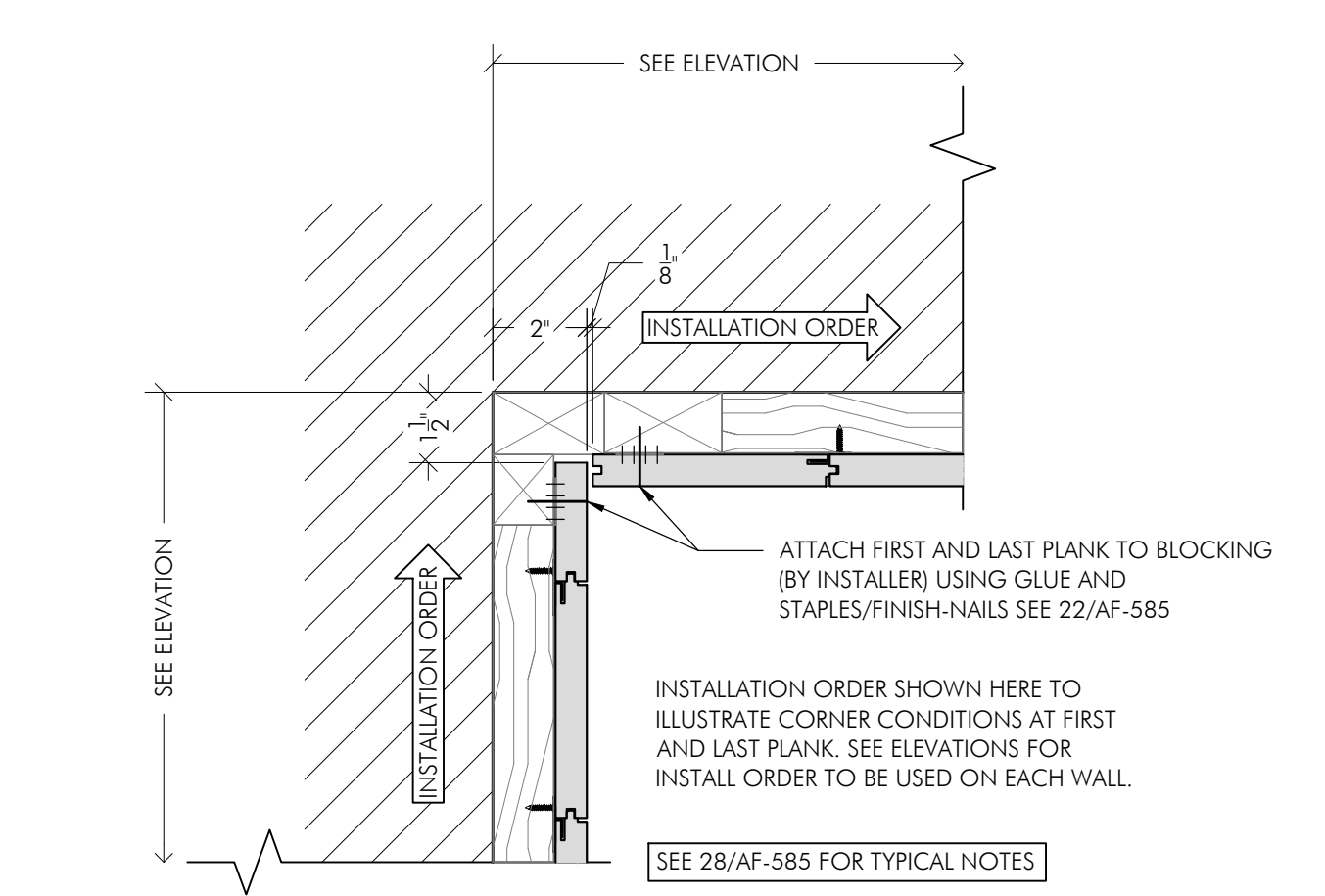
12 CUSTOM ANGLE - TYPE 21  
SCALE: 3"=1'-0" REF: 4/AF-585 FOR NOTES REGARDING VERY NARROW LAST PLANK



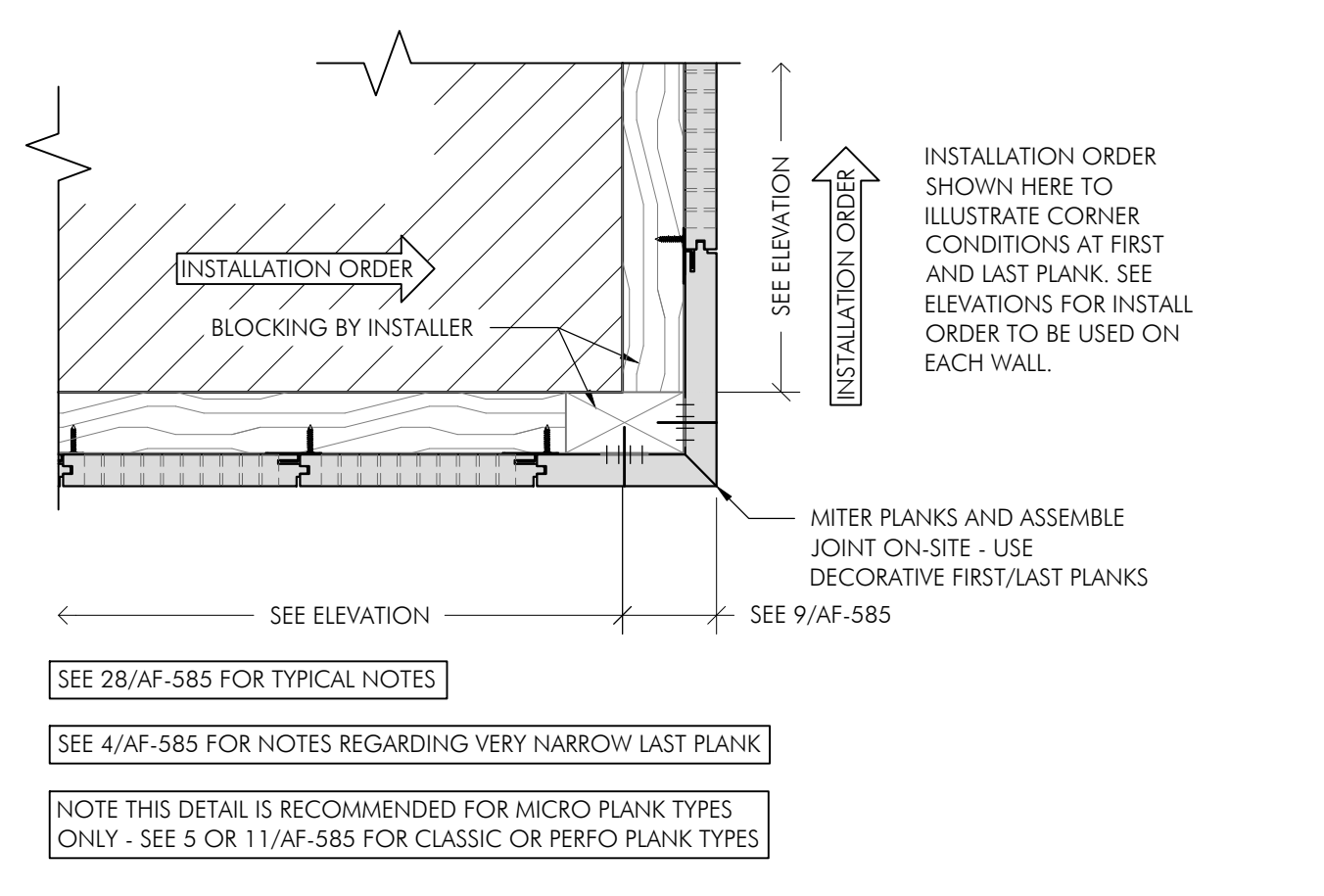
13 BASE DETAIL - SECTION  
SCALE: 3"=1'-0" REF: 7/AF-585 FOR TYPICAL NOTES



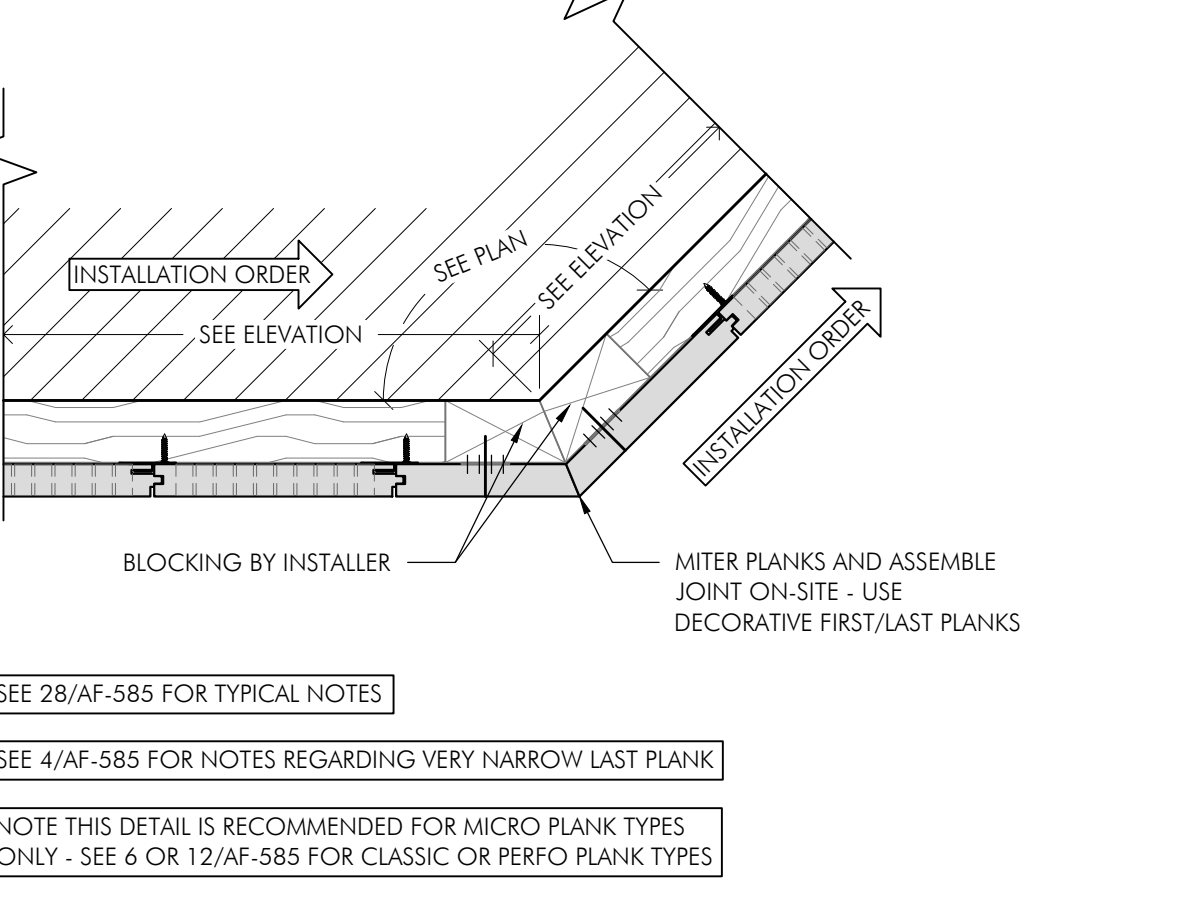
14 CUSTOM ANGLE INSIDE CORNER  
SCALE: 3"=1'-0" REF: 28/AF-585 FOR TYPICAL NOTES



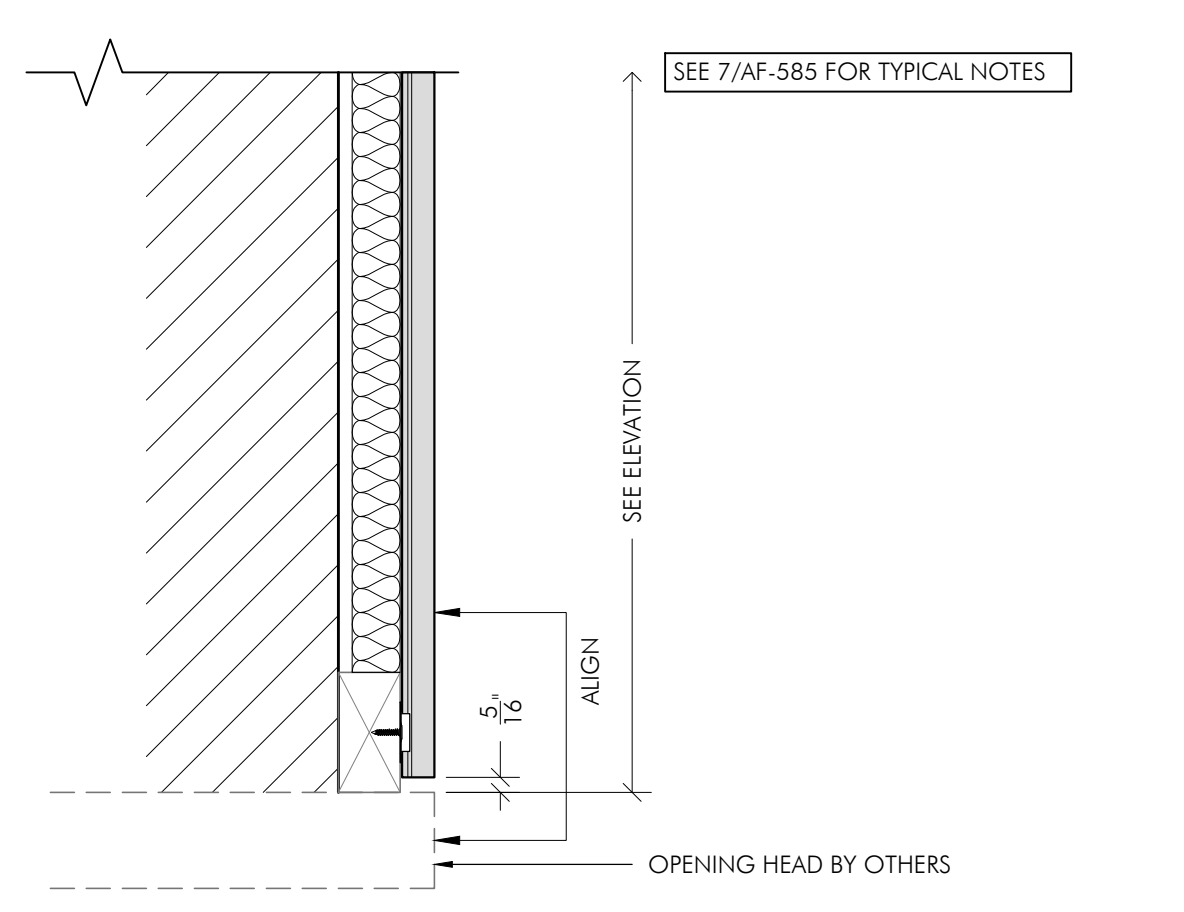
15 INSIDE CORNER - PLAN  
SCALE: 3"=1'-0" REF: 28/AF-585 FOR TYPICAL NOTES



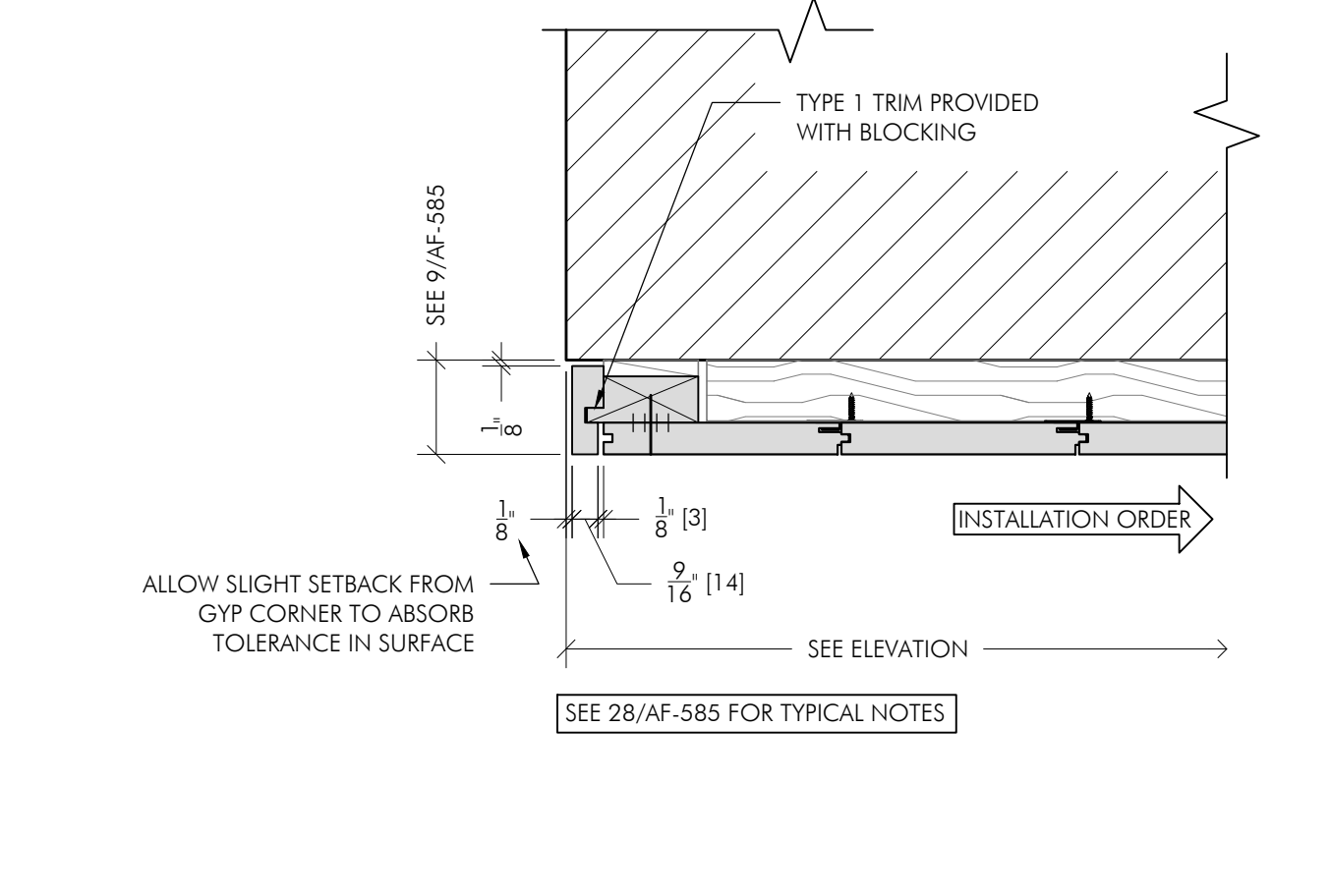
17 OUTSIDE CORNER - MITERED  
SCALE: 3"=1'-0" REF: 28/AF-585 FOR TYPICAL NOTES



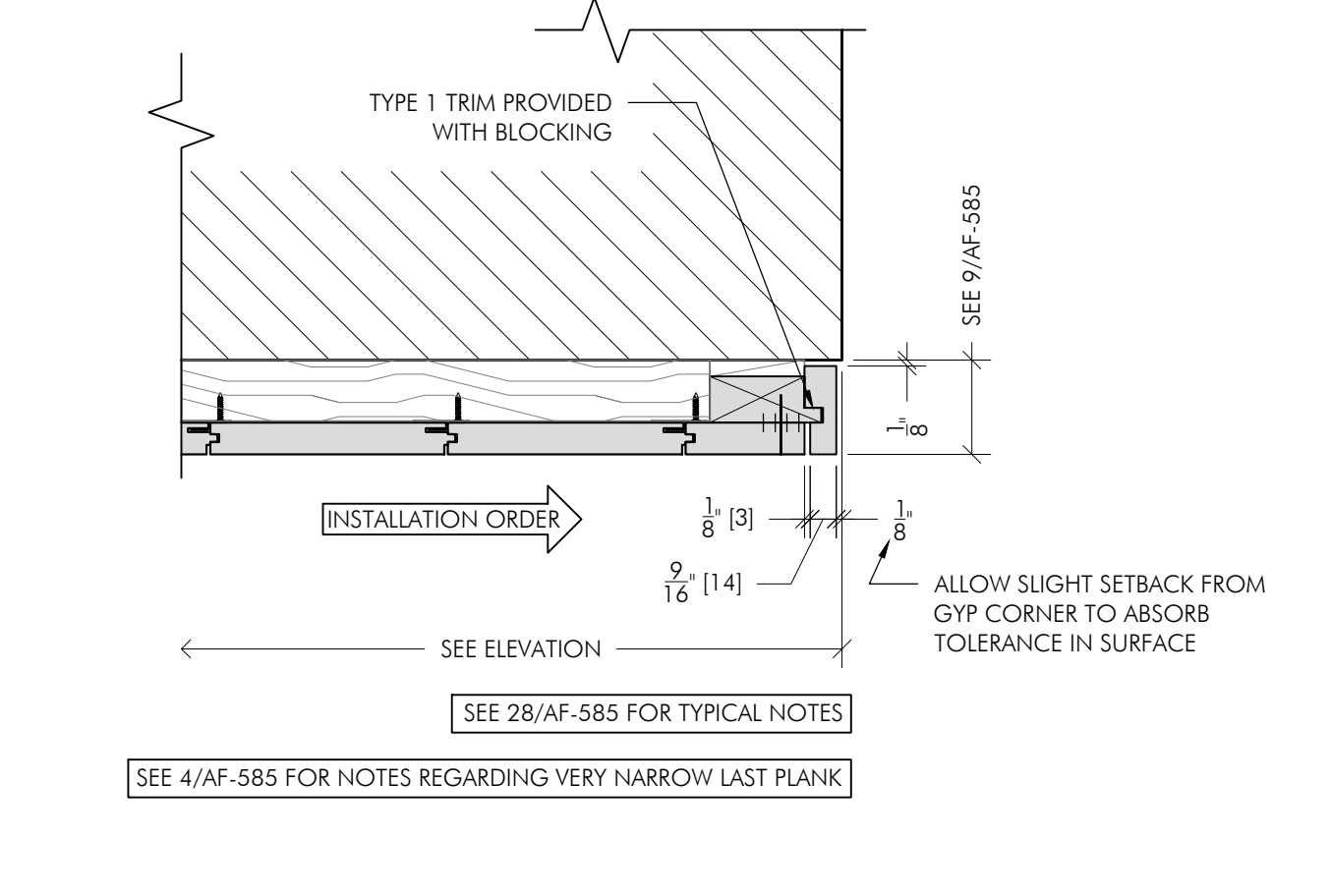
18 CUSTOM ANGLE - MITERED  
SCALE: 3"=1'-0" REF: 4/AF-585 FOR NOTES REGARDING VERY NARROW LAST PLANK



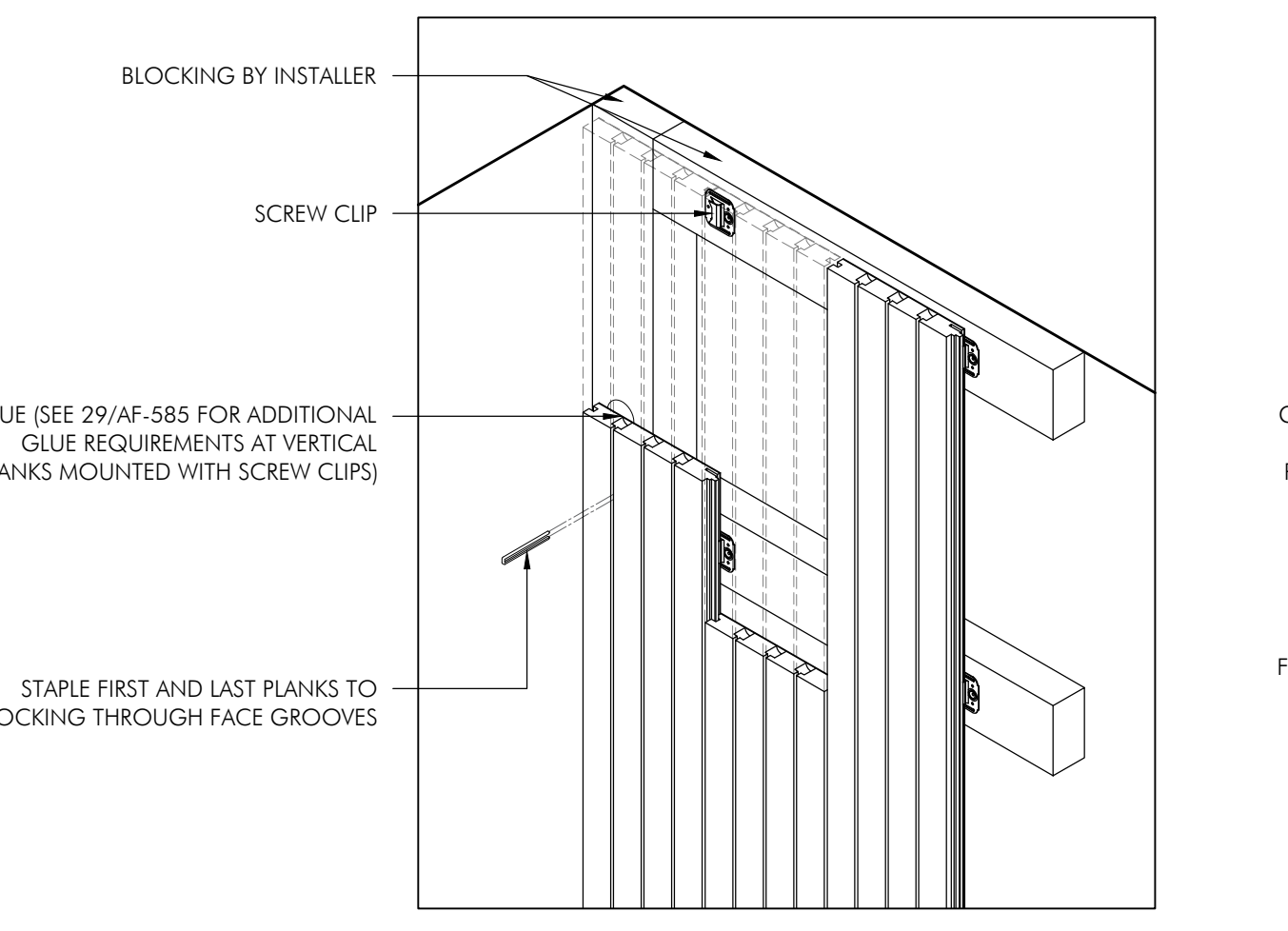
19 OPENING HEAD - SECTION  
SCALE: 3"=1'-0" REF: 7/AF-585 FOR TYPICAL NOTES



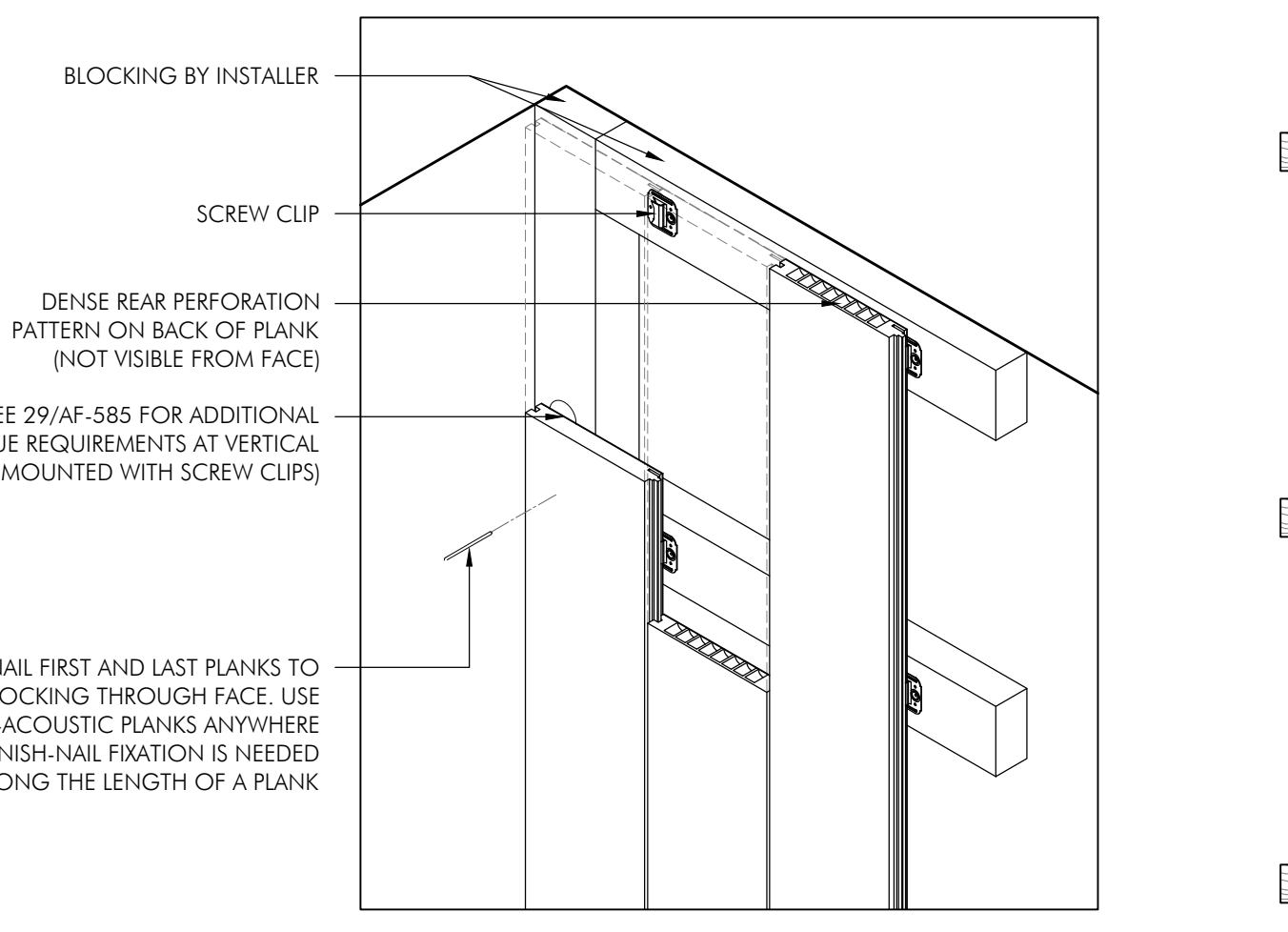
20 TYPE 1 TRIM - PLAN  
SCALE: 3"=1'-0" REF: 28/AF-585 FOR TYPICAL NOTES



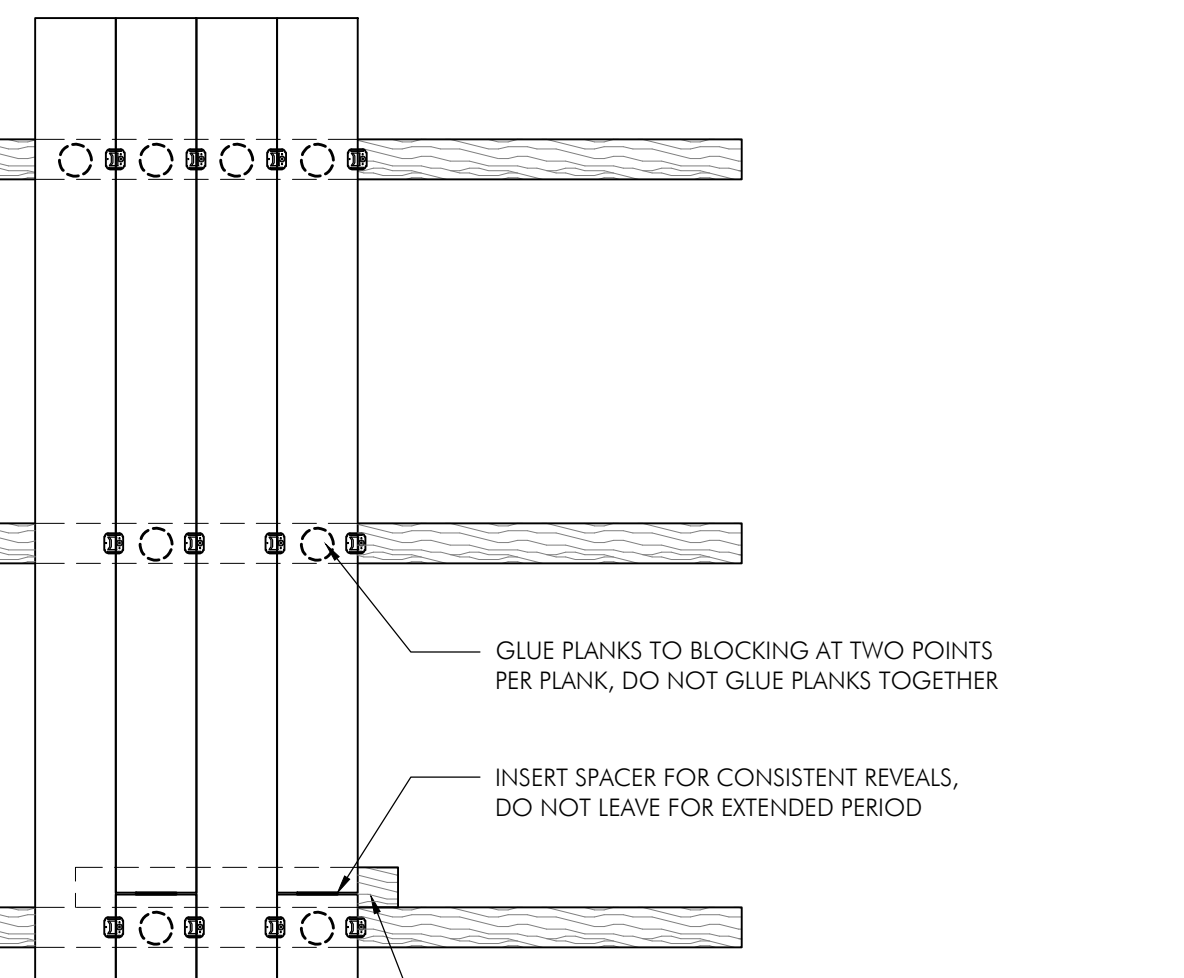
21 TYPE 1 TRIM - PLAN  
SCALE: 3"=1'-0" REF: 4/AF-585 FOR NOTES REGARDING VERY NARROW LAST PLANK



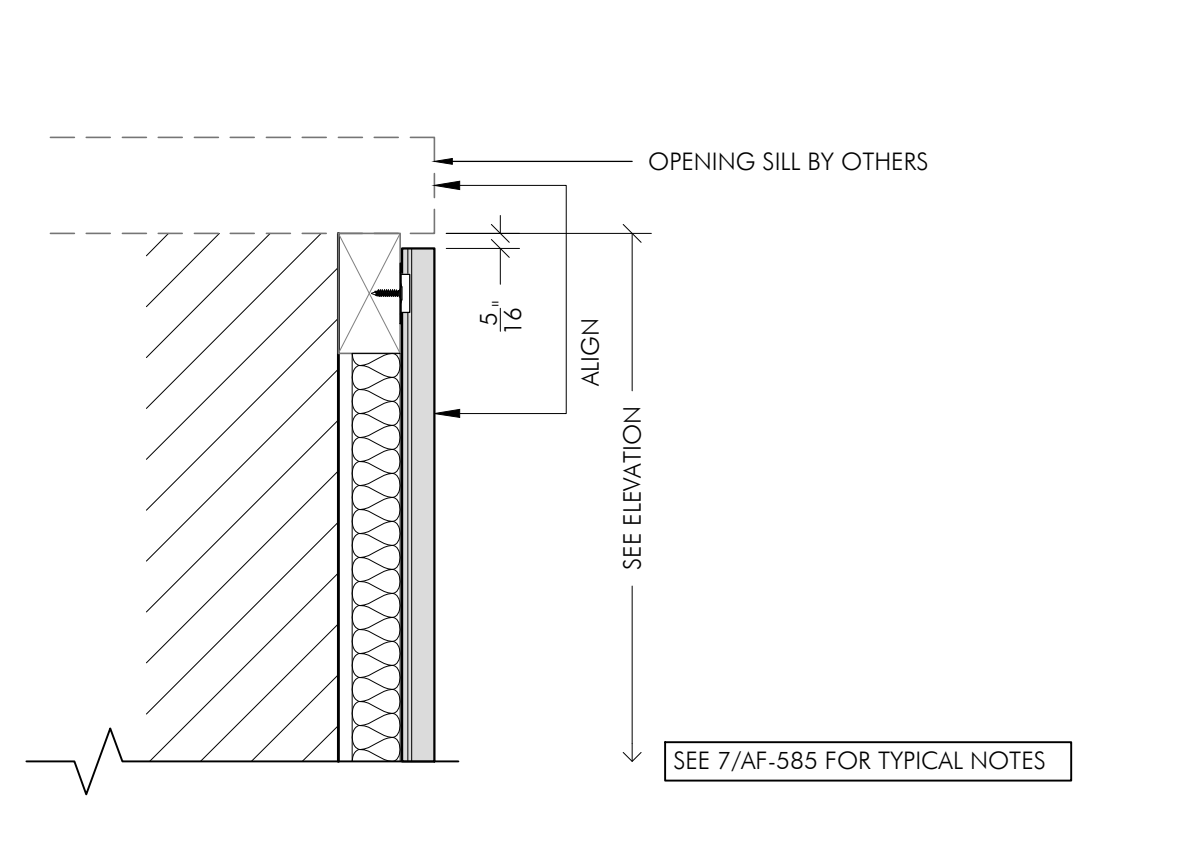
22 STAPLE FIXATION  
SCALE: 3"=1'-0" REF: 29/AF-585



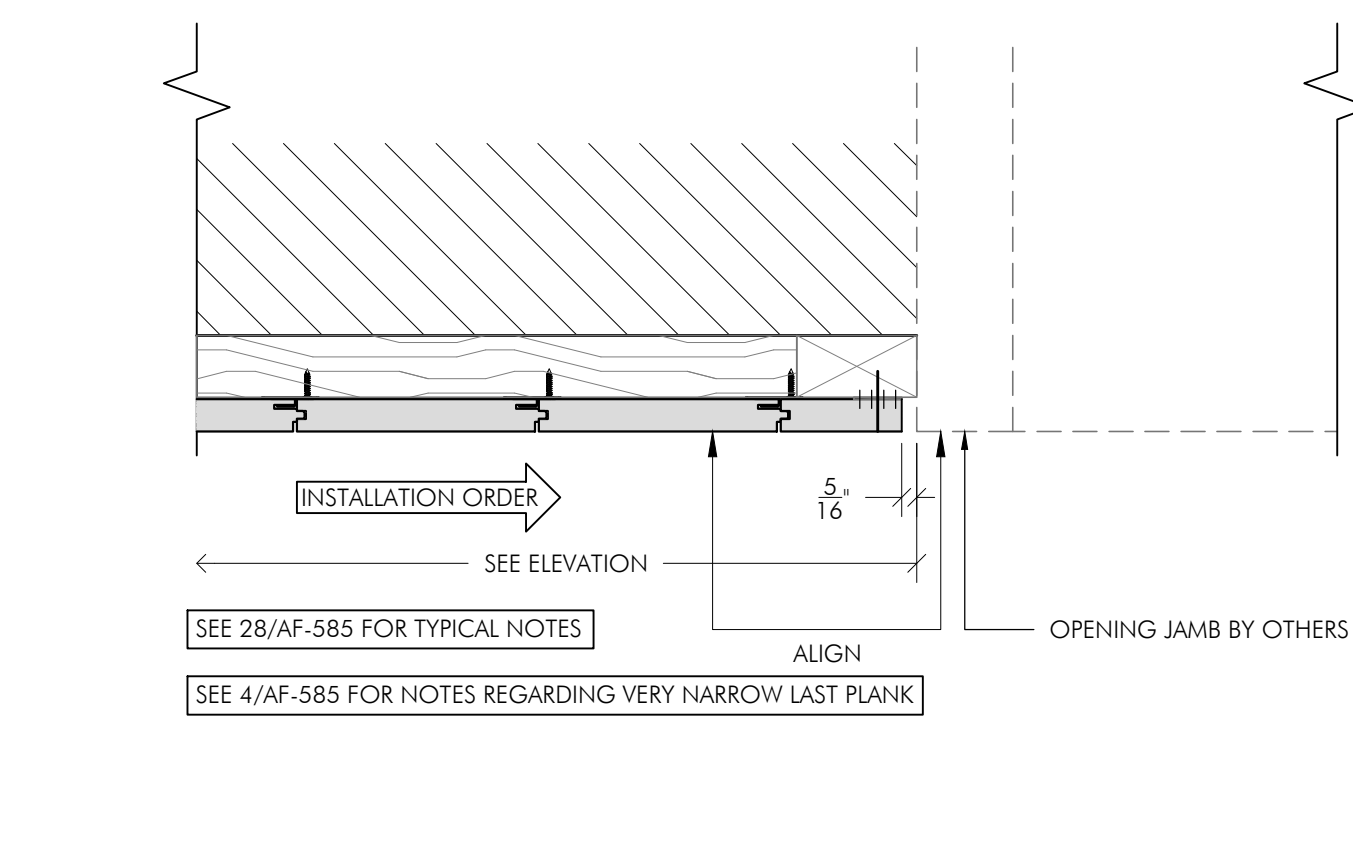
22 FINISH-NAIL FIXATION  
SCALE: 3"=1'-0" REF: 29/AF-585



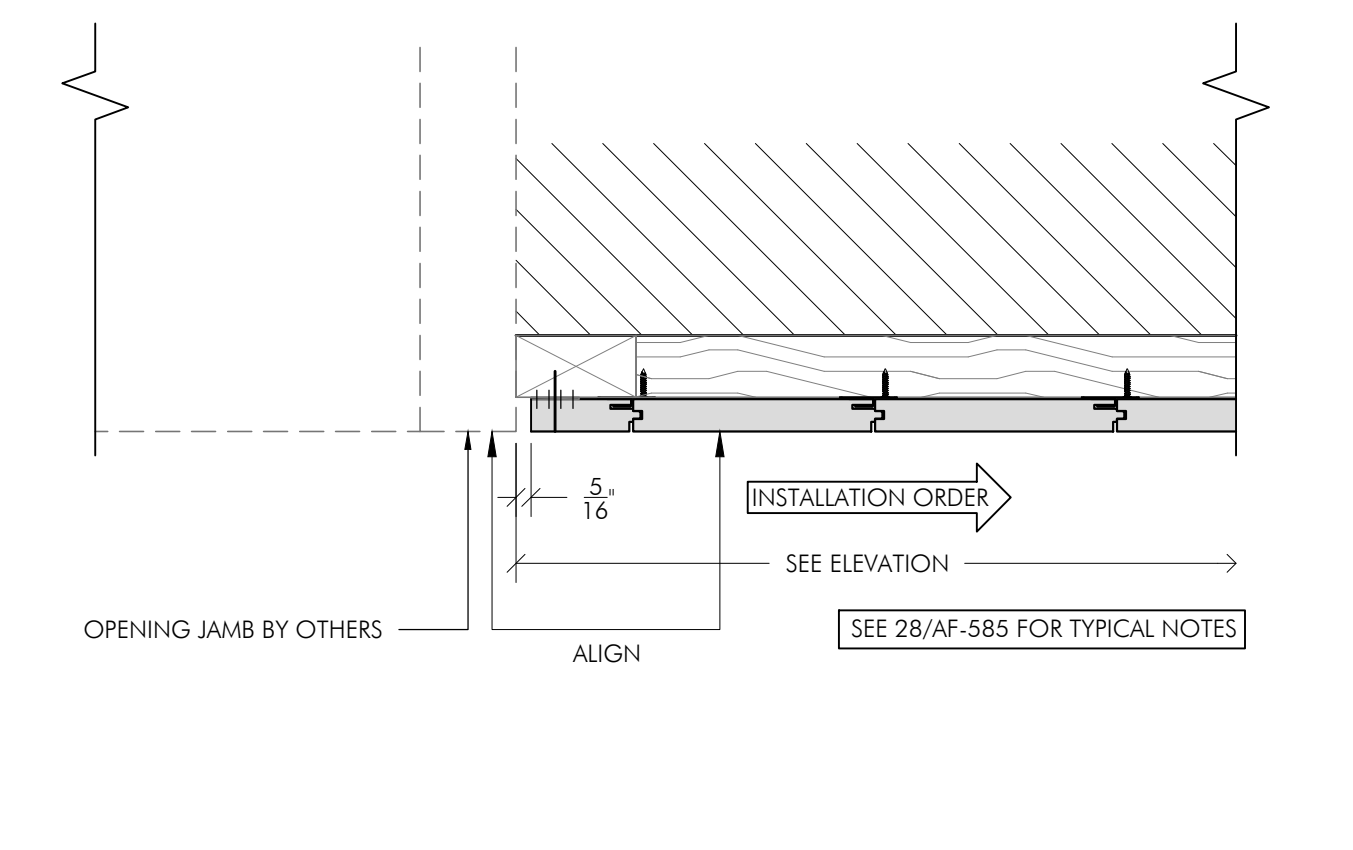
29 GLUE VERTICAL PLANKS  
SCALE: 1"=1'-0" REF: 29/AF-585



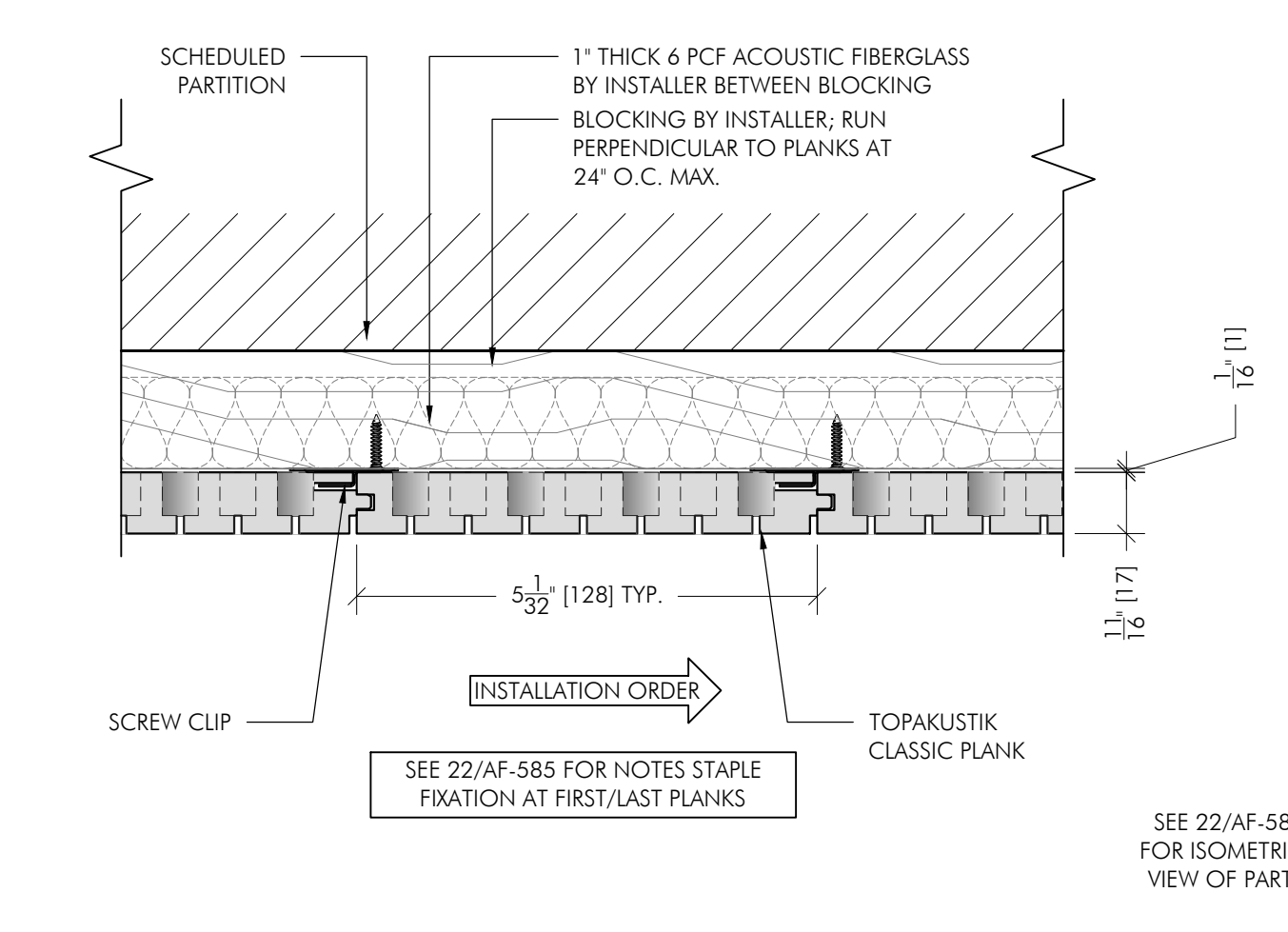
25 OPENING SILL - SECTION  
SCALE: 3"=1'-0" REF: 7/AF-585 FOR TYPICAL NOTES



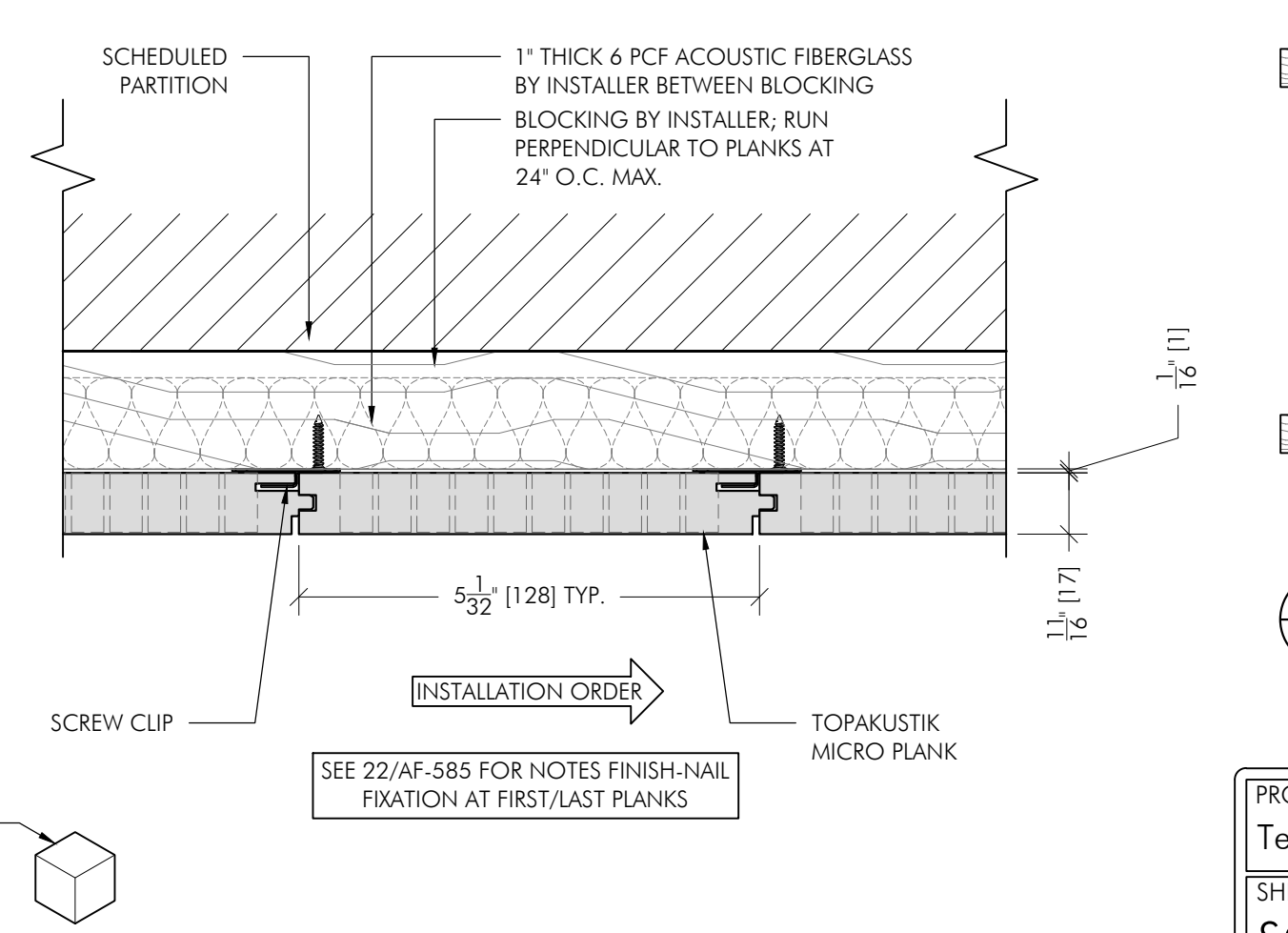
26 OPENING JAMB - PLAN  
SCALE: 3"=1'-0" REF: 4/AF-585 FOR NOTES REGARDING VERY NARROW LAST PLANK



27 OPENING JAMB - PLAN  
SCALE: 3"=1'-0" REF: 28/AF-585 FOR TYPICAL NOTES

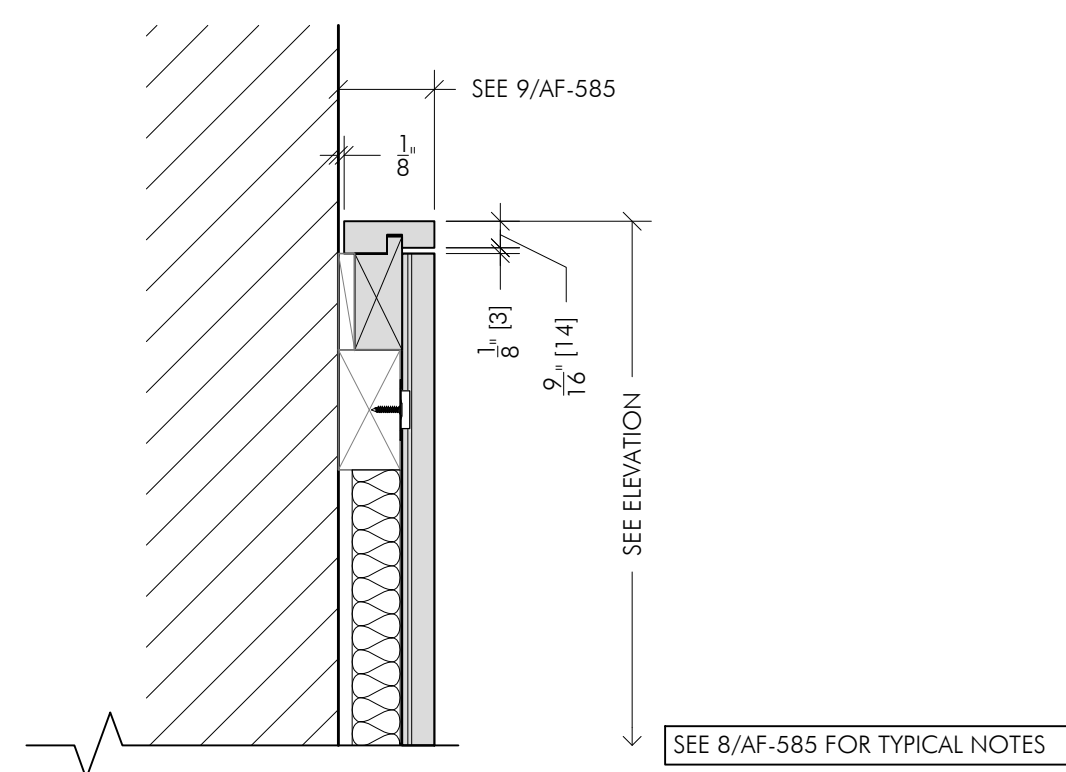


28 TRANSVERSE DETAIL  
SCALE: 6"=1'-0" REF: 22/AF-585 FOR ISOMETRIC VIEW OF PARTS

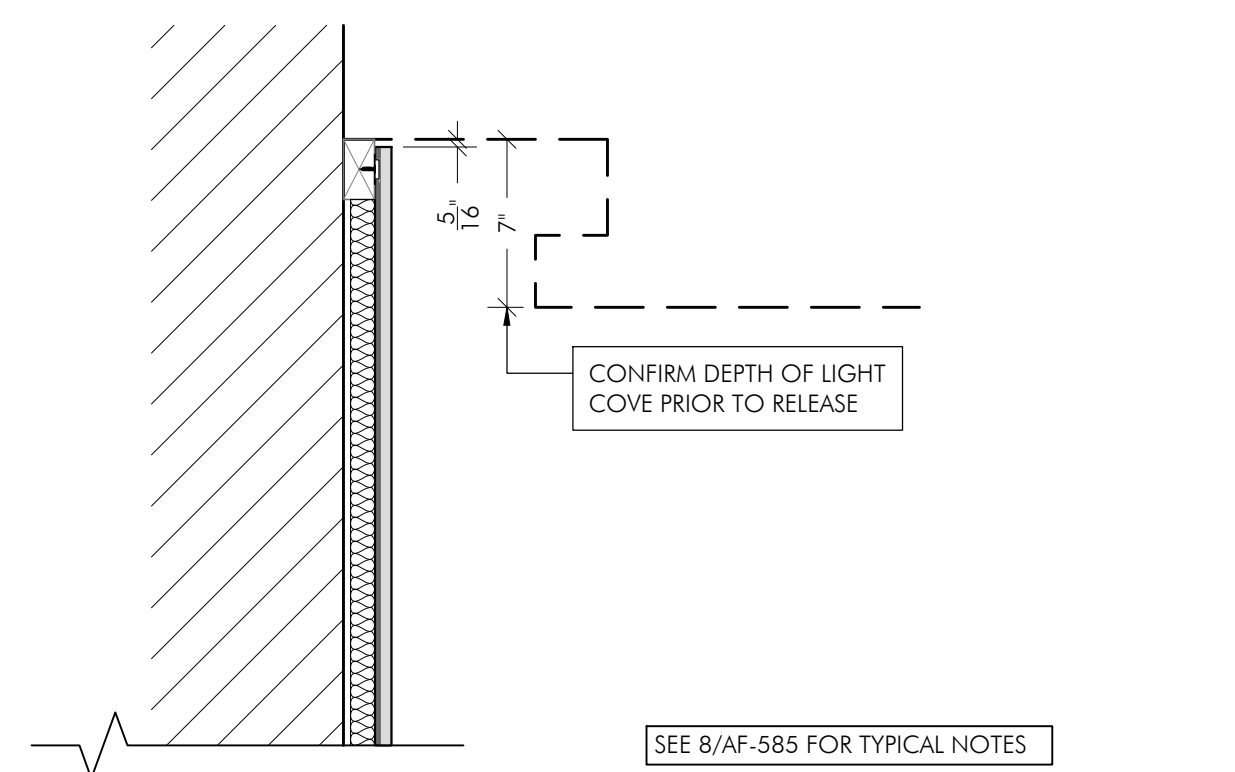


28 TRANSVERSE DETAIL  
SCALE: 6"=1'-0" REF: 22/AF-585 FOR ISOMETRIC VIEW OF PARTS

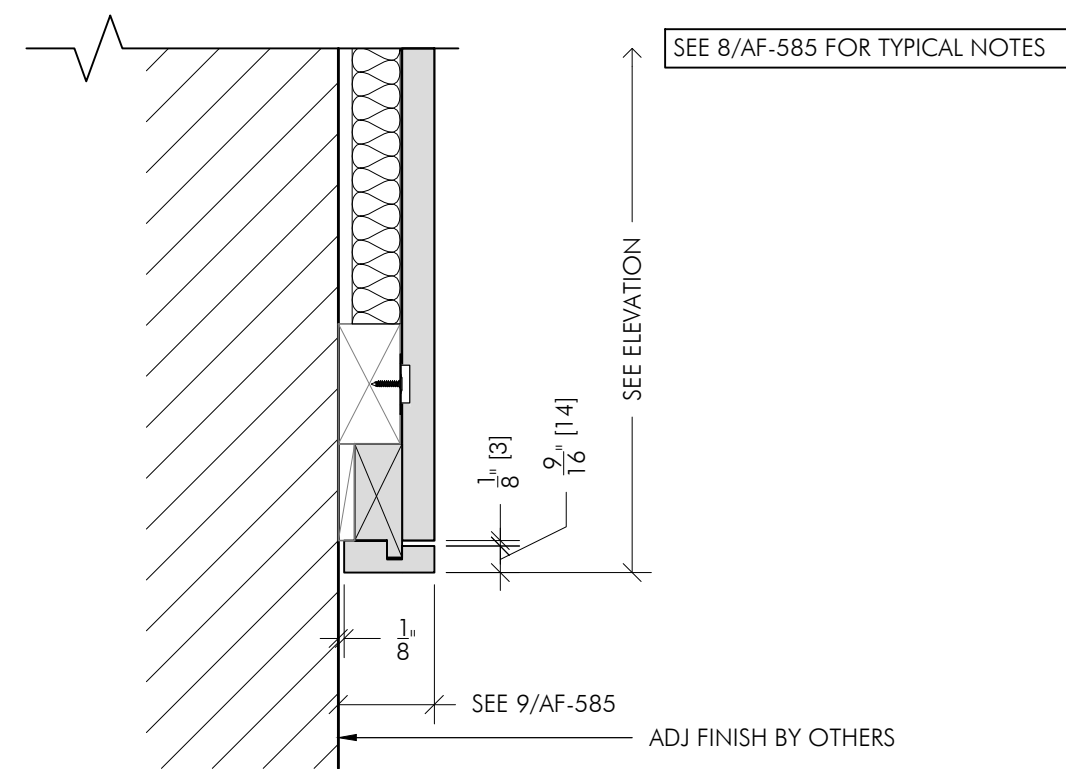
PROJECT: Template	TOP(A)K(U)S(T)I(K)
SHEET TITLE: SCREW CLIP (VERTICAL PLANKS) DETAILS 1	
ISSUE DATE: 1/4/2024	SCALE: NOTED
PROJ MGR: [ ]	3 <sup>RD</sup> ANG. PROJ: [ ]
DRAWN BY: [ ]	PAGE NO: 28/29
PRODUCTION TOLERANCE: 0.36" ± 1/32"	REV NO: 0
± 1/32 PER 36" OF PRODUCT	AF-585



1 HEAD DETAIL - TYPE 1 TRIM  
SCALE: 3"=1'-0" REF:

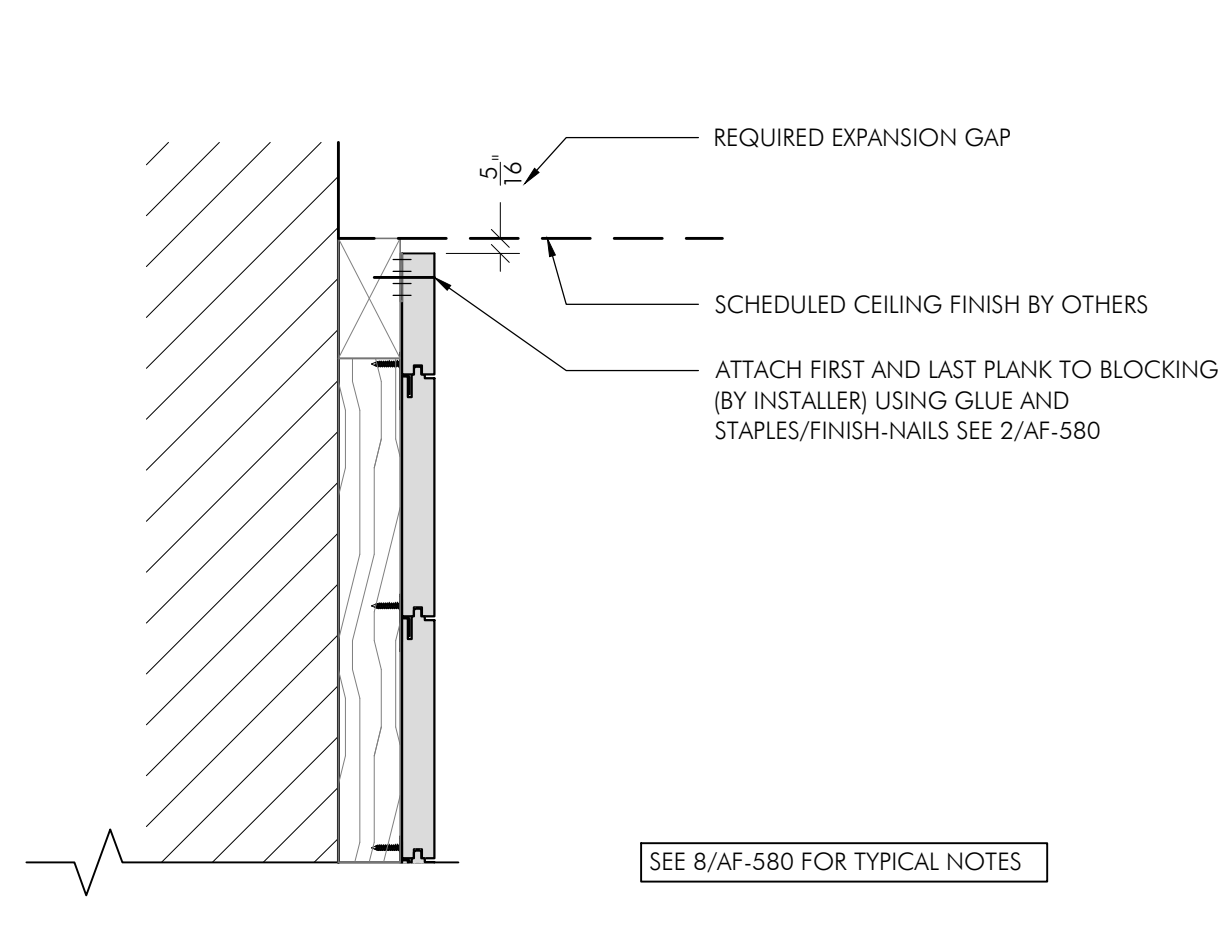


2 HEAD DETAIL - LIGHT COVE  
SCALE: 1 1/2"=1'-0" REF:

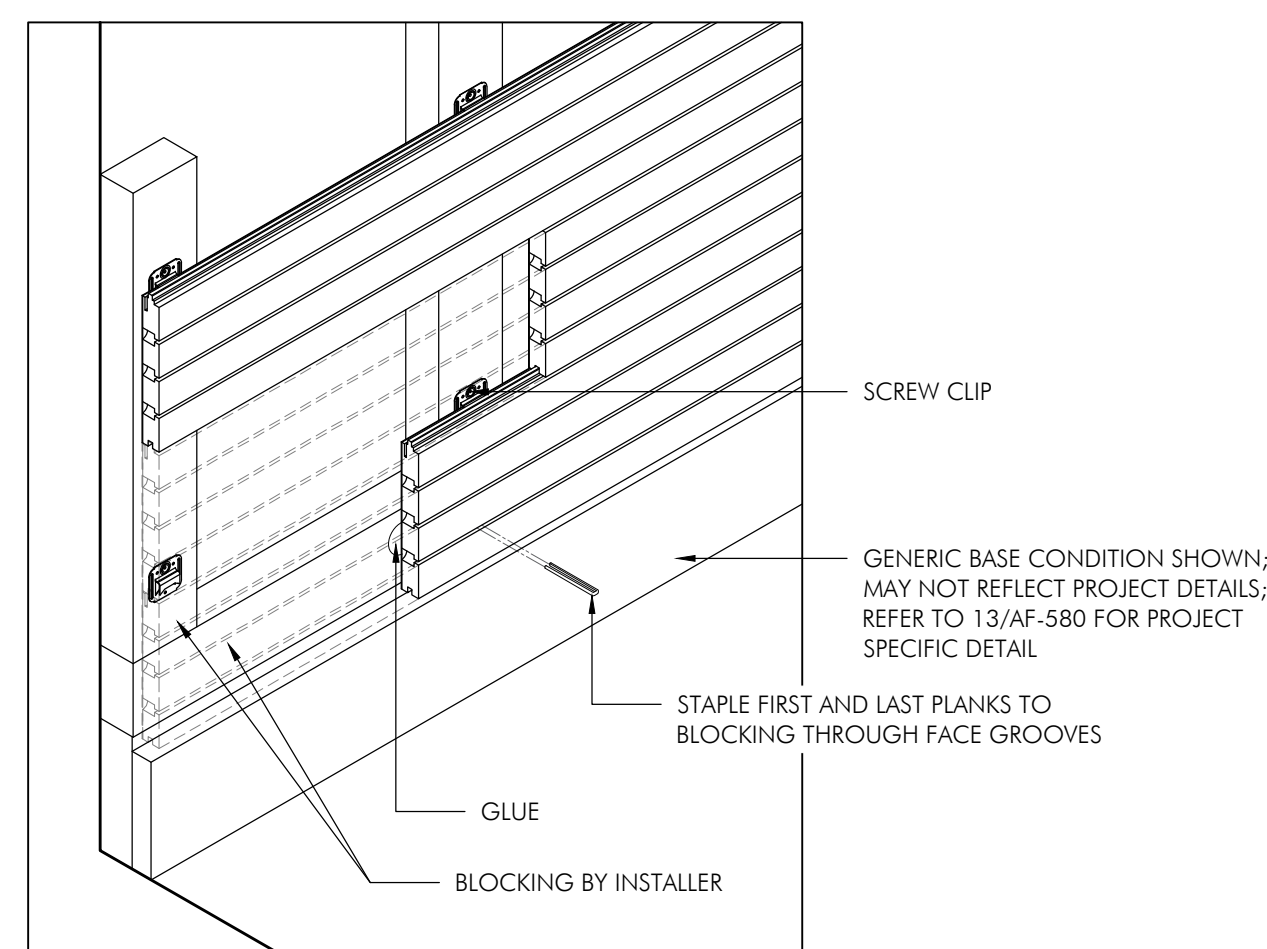


3 BOTTOM OF SCOPE - TYPE 1 TRIM  
SCALE: 3"=1'-0" REF:

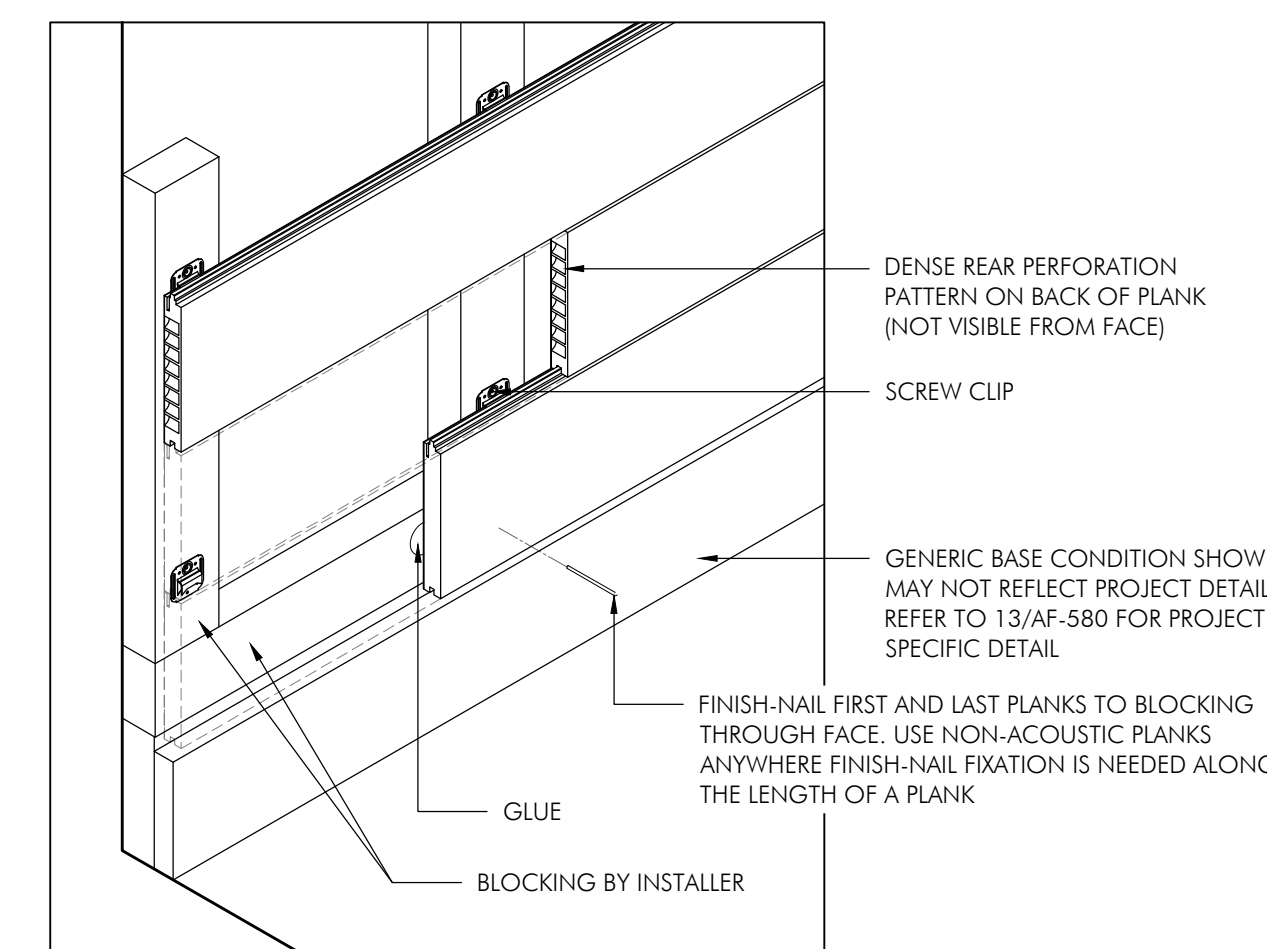
PROJECT:		Template		TOP(A)K(U)S(T)I(K)	
SHEET TITLE:					
SCREW CLIP VERTICAL PLANKS) DETAILS 2					
REVISIONS:	ISSUE DATE:	SCALE:	NOTED	3 <sup>RD</sup> ANG.	PROJ.
△	1/4/2024				
△	PROJ MGR:	DRAWN BY:	PAGE NO:	29/29	REV NO:
△					0
△	PRODUCTION TOLERANCE:	AF-586			
△	±.36" ± 1/32"	± 1/32" PER 3/4" OF PRODUCT			



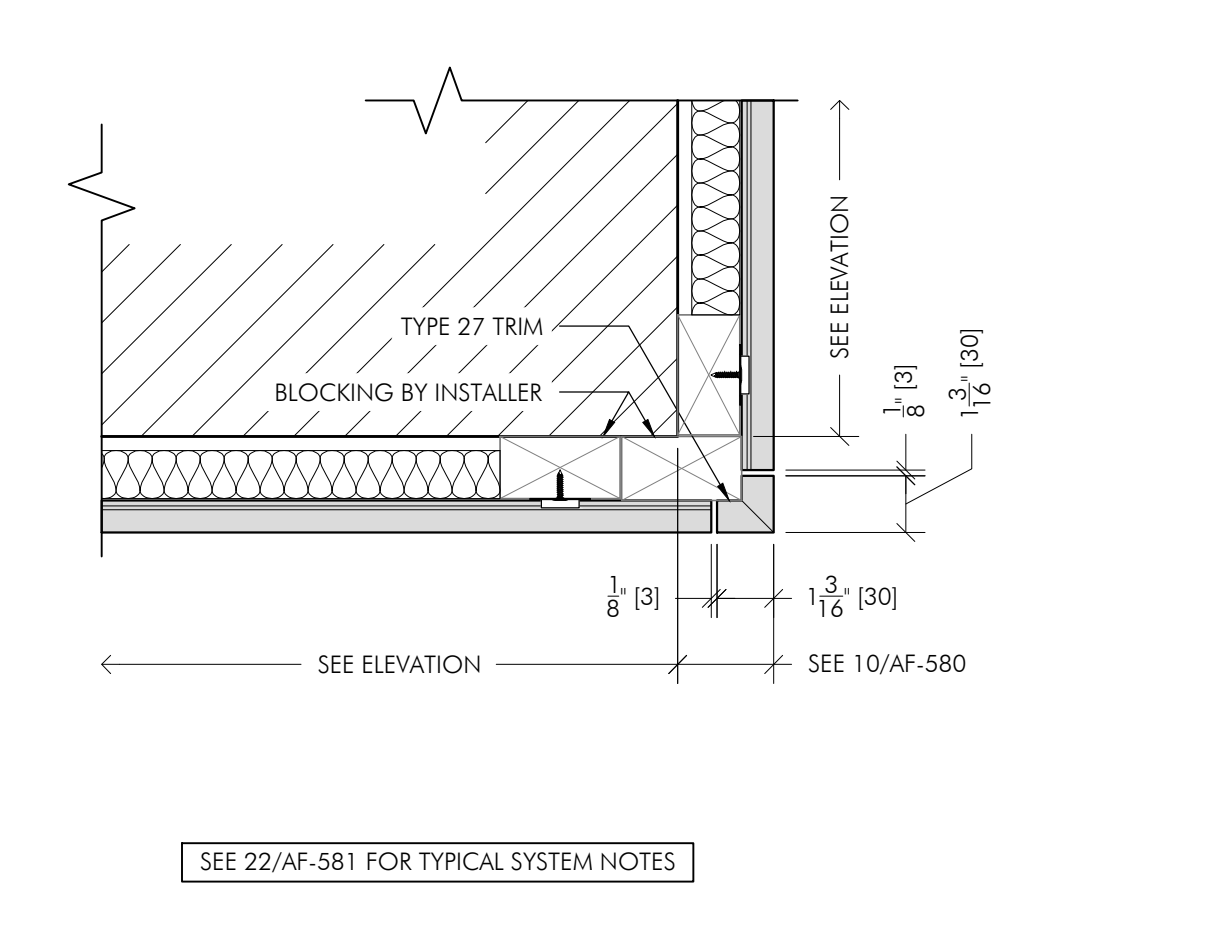
1 HEAD DETAIL - SECTION  
SCALE: 3"=1'-0" REF.



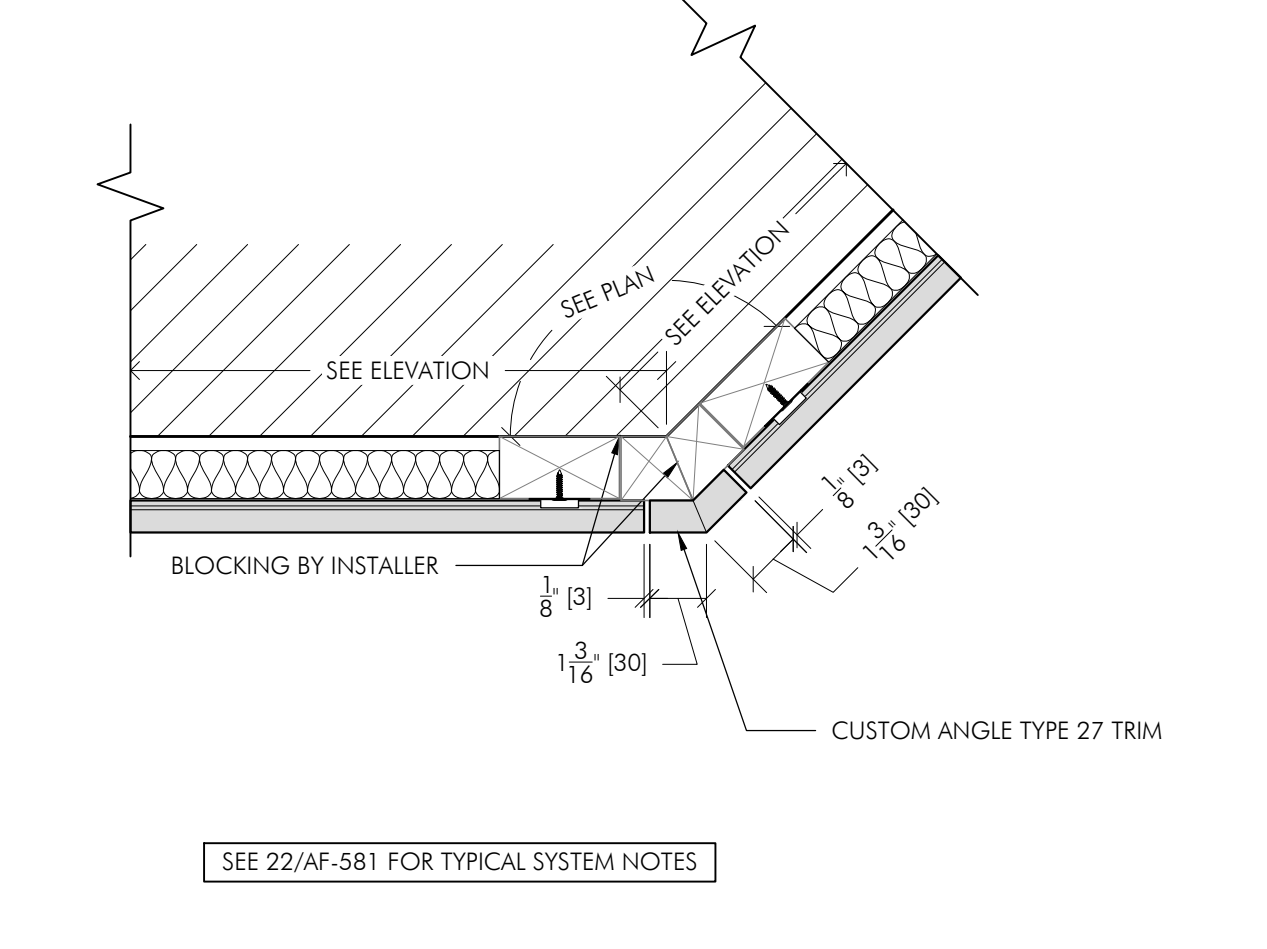
2 STAPLE FIXATION  
SCALE: 3"=1'-0" REF.



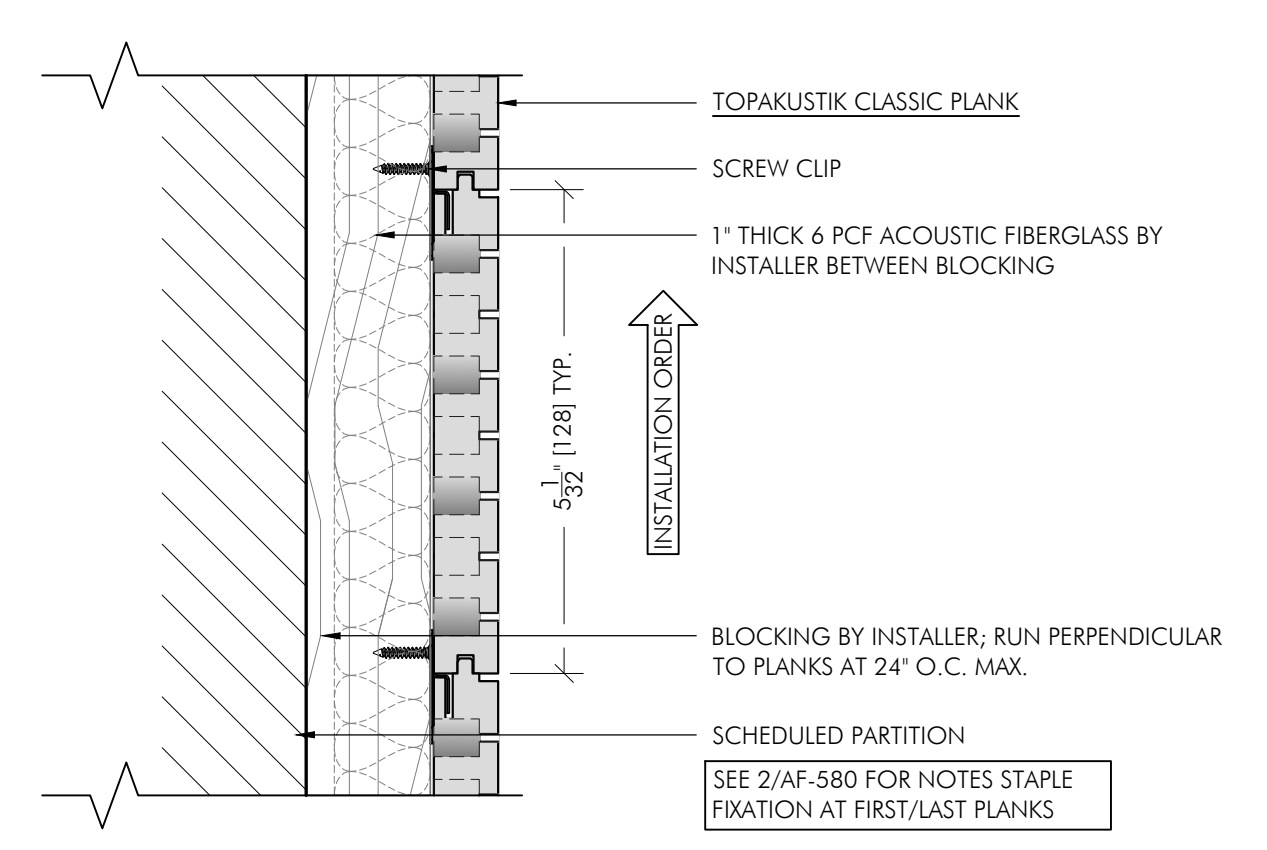
FINISH-NAIL FIXATION  
SCALE: 1/AF-420 REF.



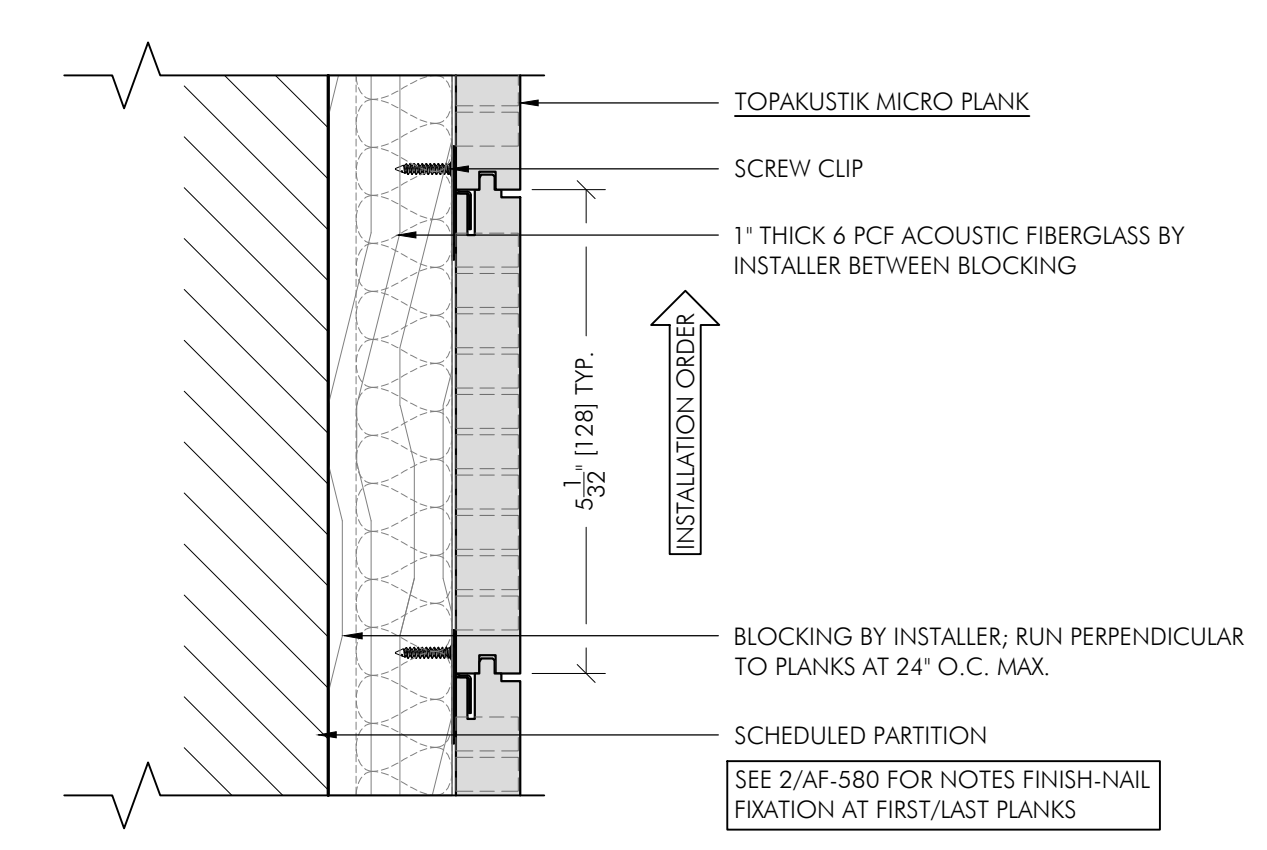
5 OUTSIDE CORNER - TYPE 27  
SCALE: 3"=1'-0" REF.



6 CUSTOM ANGLE - TYPE 27  
SCALE: 3"=1'-0" REF.



8 TRANSVERSE DETAIL  
SCALE: 6"=1'-0" TYPICAL



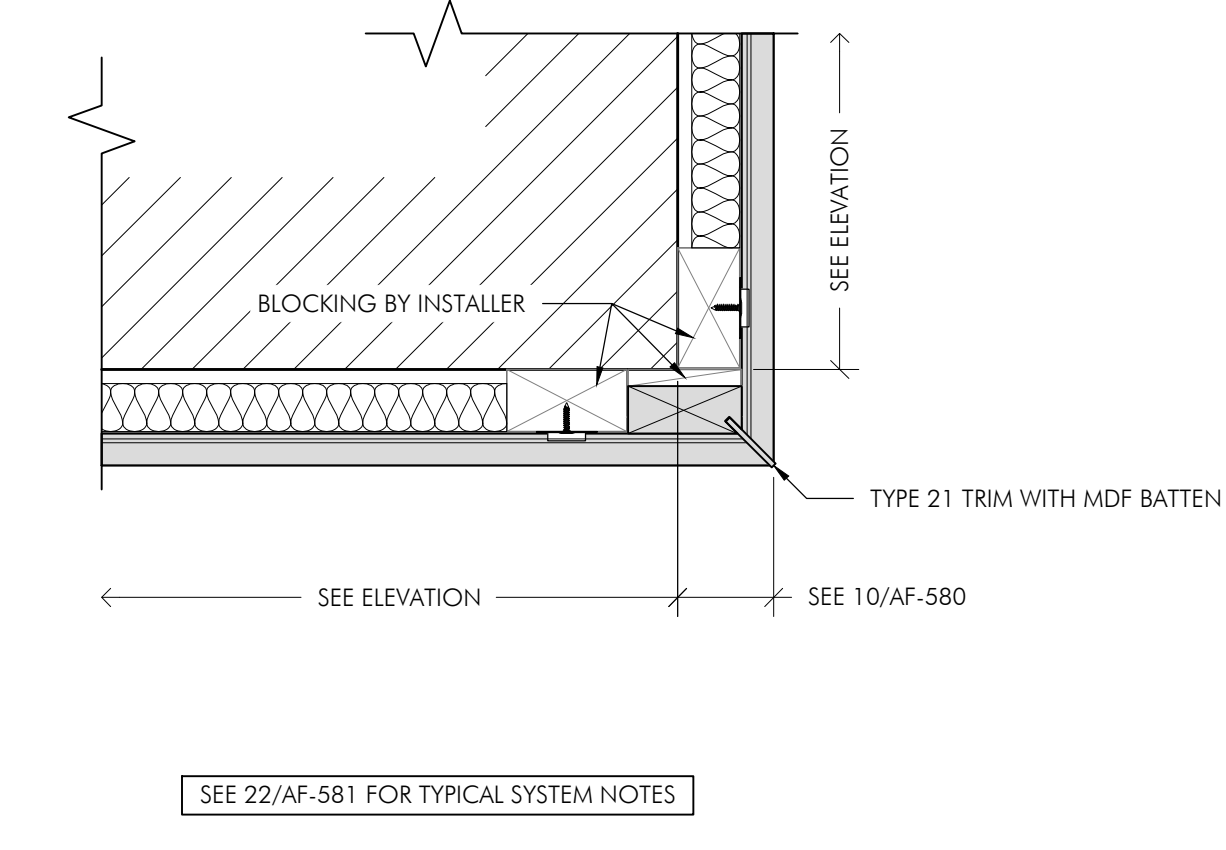
TRANSVERSE DETAIL  
SCALE: 6"=1'-0" TYPICAL

SYSTEM THICKNESS

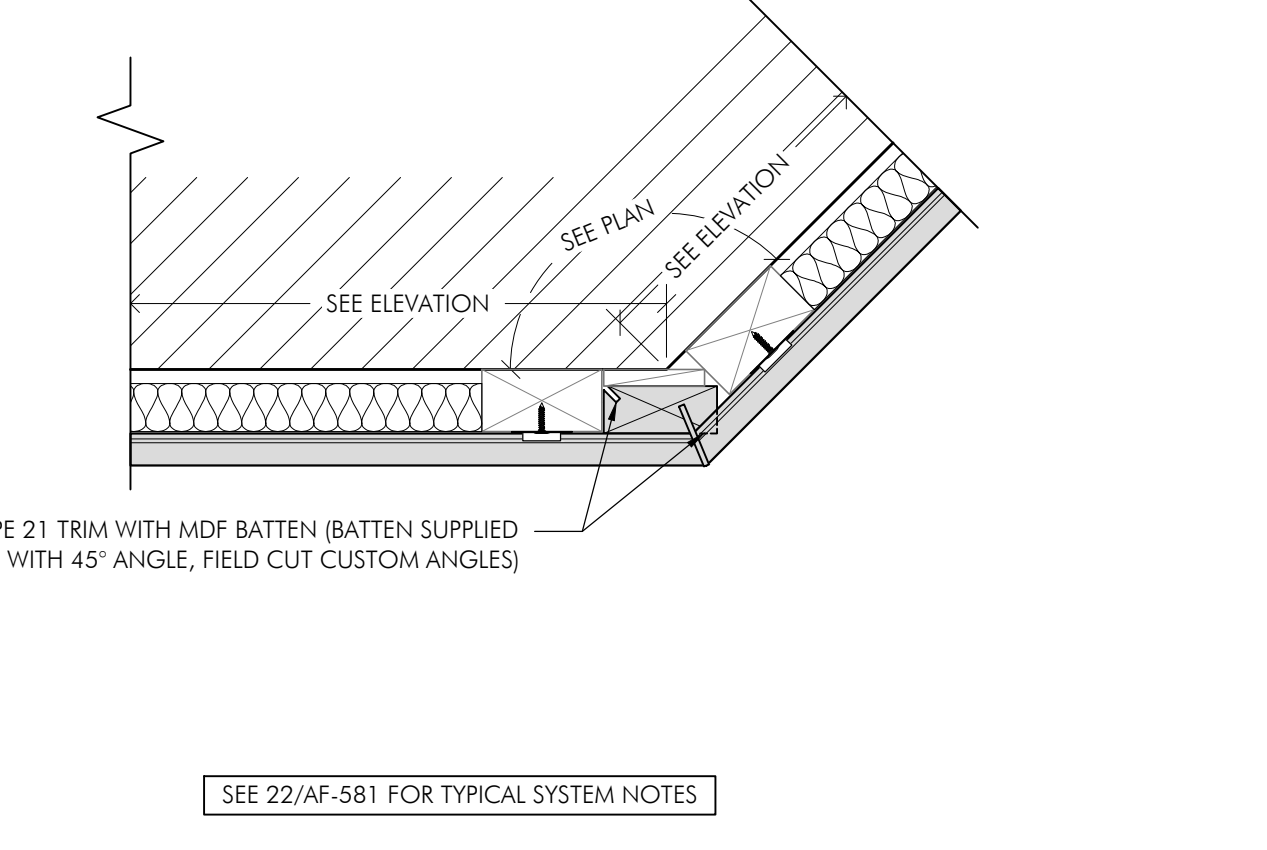
ITEM	ITEM DESCRIPTION	THICKNESS
B	BLOCKING	1"
F	FIBERGLASS	1"
P	PLANK	17mm (0.669")
SC	SCREW CLIP	±1/16"
S	SHIM	±1/4"
T	TOTAL THICKNESS	2"

BLOCKING, FIBERGLASS AND SHIMS TO BE PROVIDED BY INSTALLER

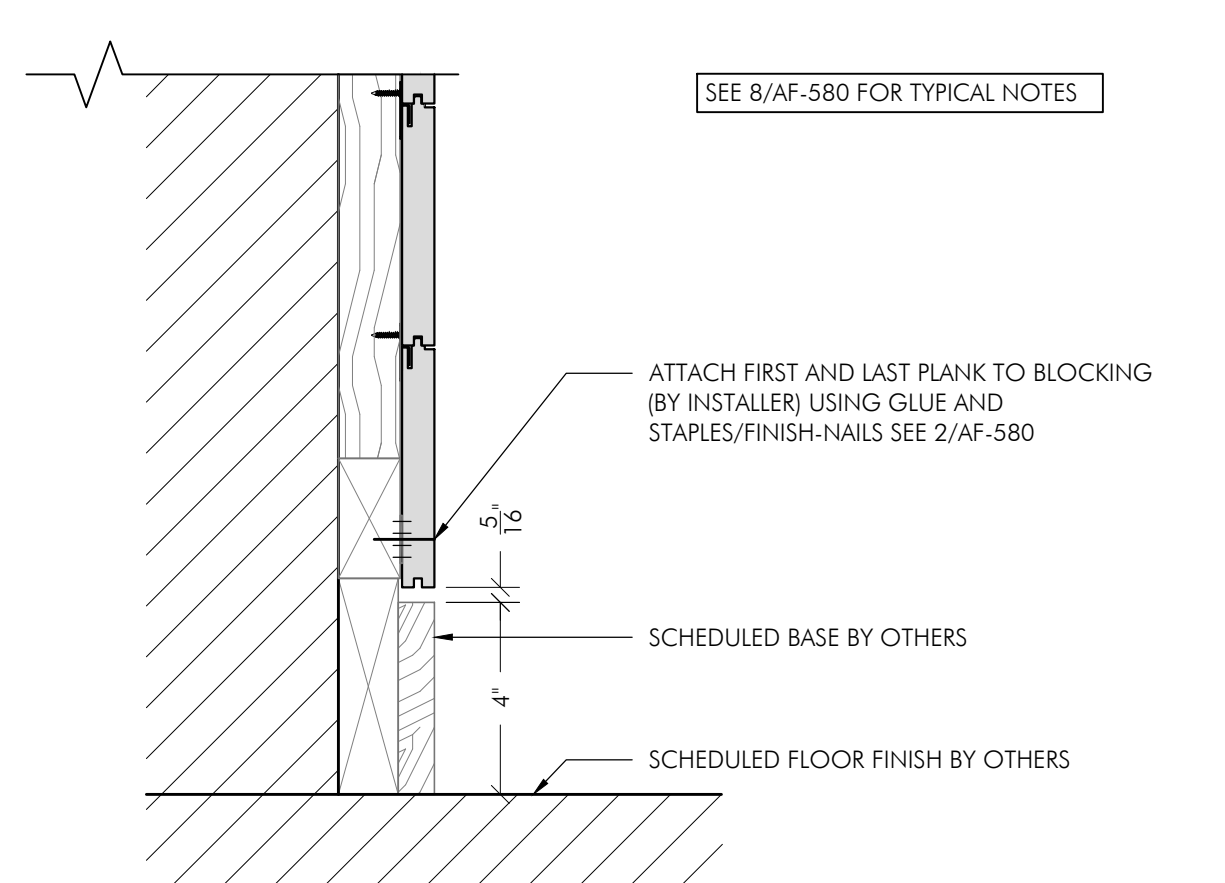
10 SYSTEM THICKNESS  
SCALE: 6"=1'-0" REF: 16/AF-580



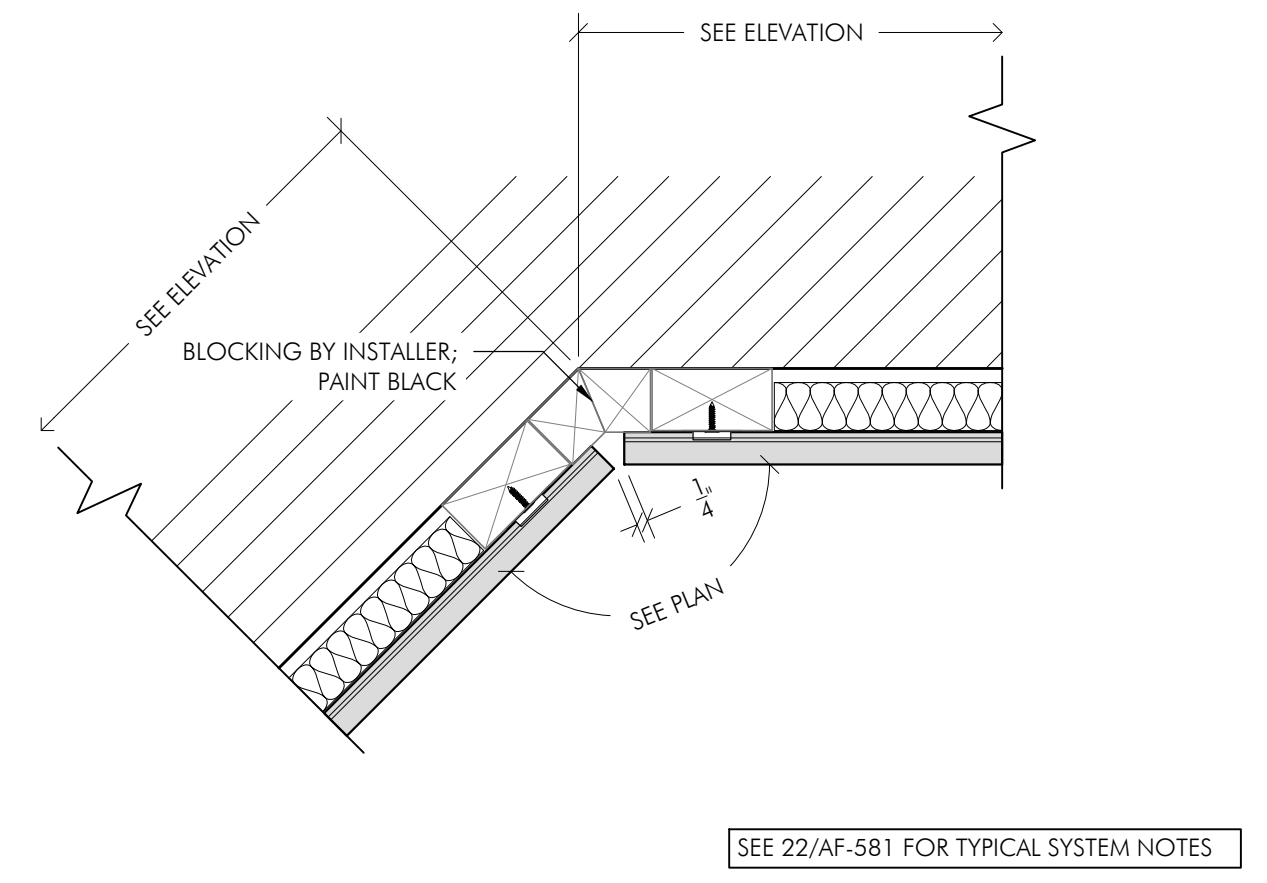
11 OUTSIDE CORNER - TYPE 21  
SCALE: 3"=1'-0" REF.



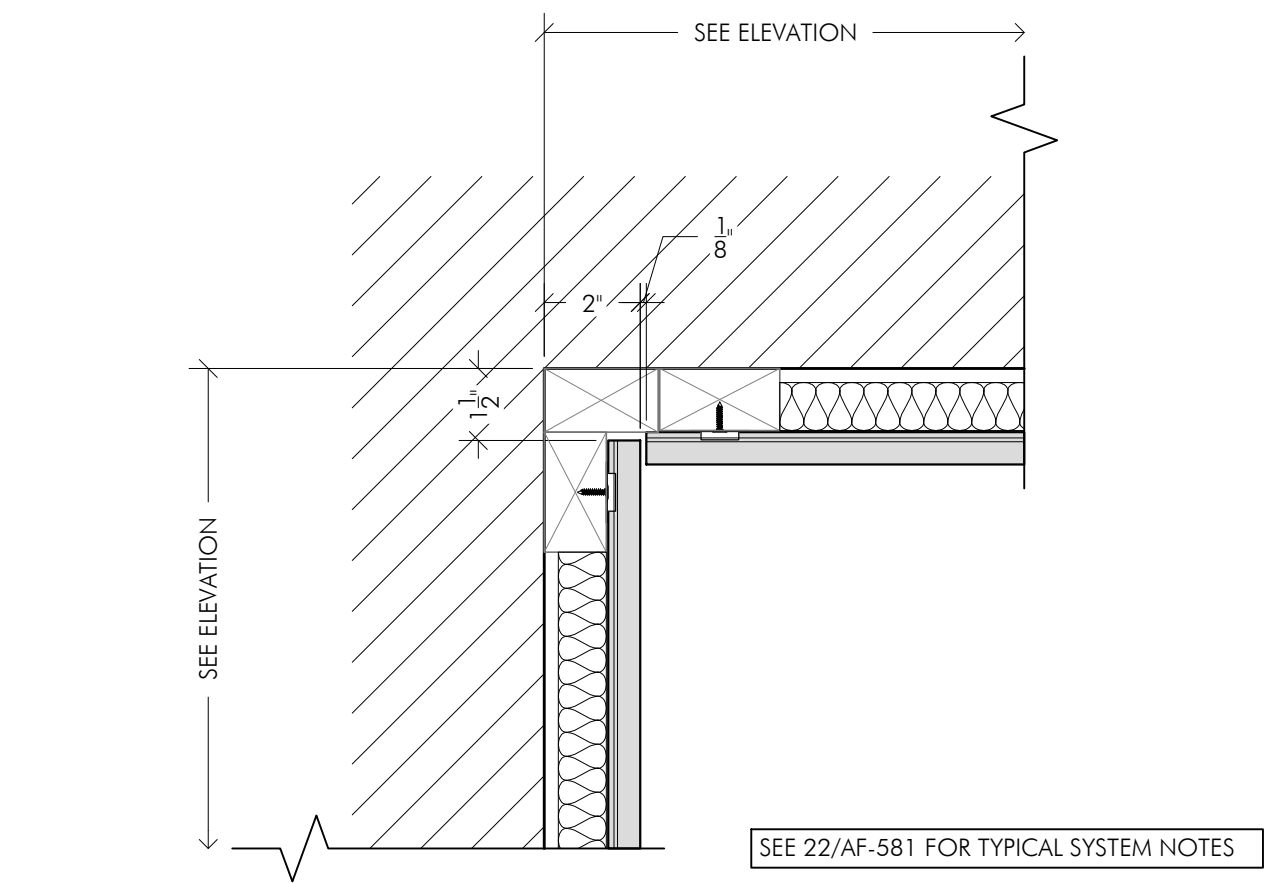
12 CUSTOM ANGLE - TYPE 21  
SCALE: 3"=1'-0" REF.



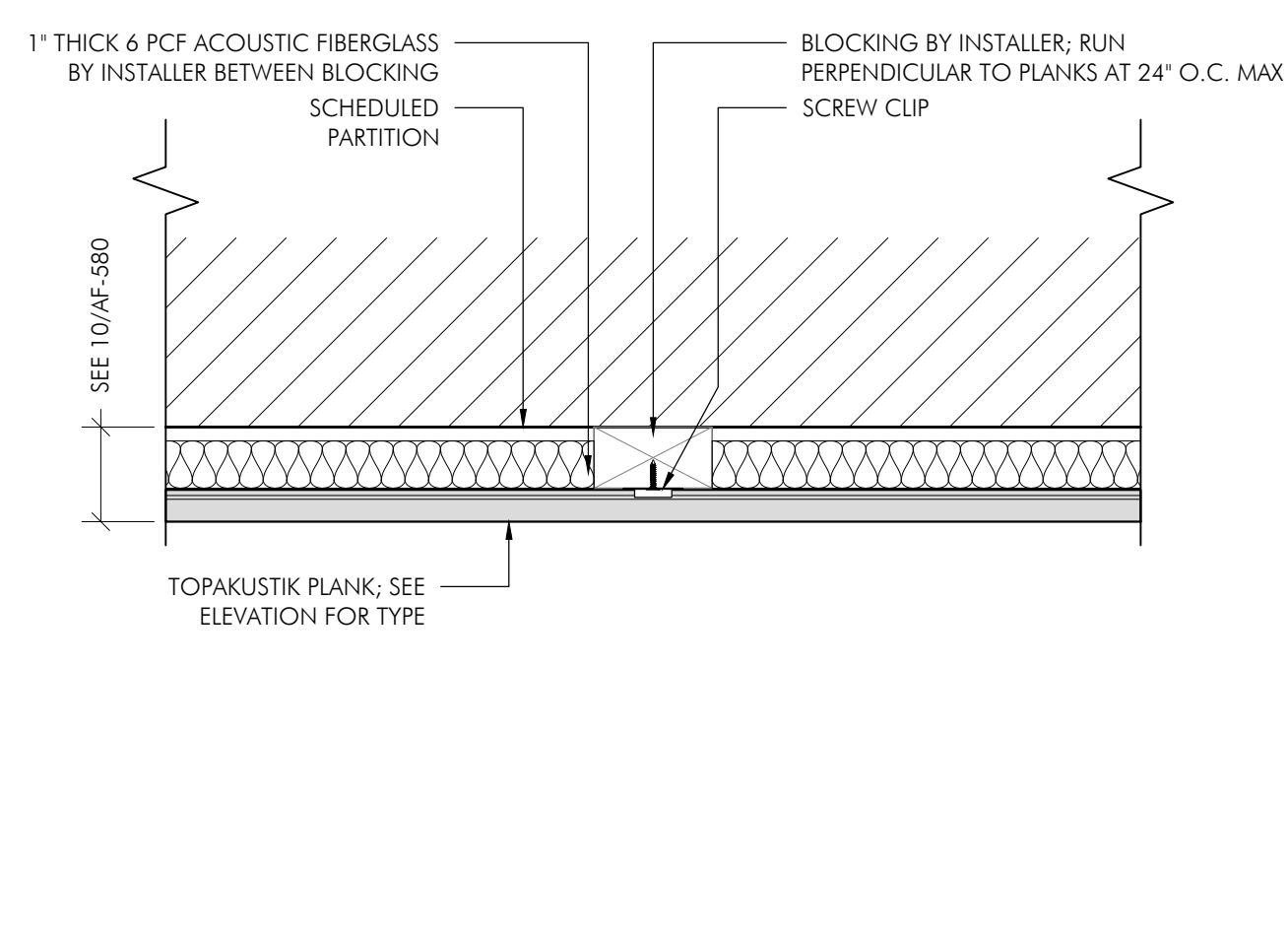
13 BASE DETAIL - SECTION  
SCALE: 3"=1'-0" REF.



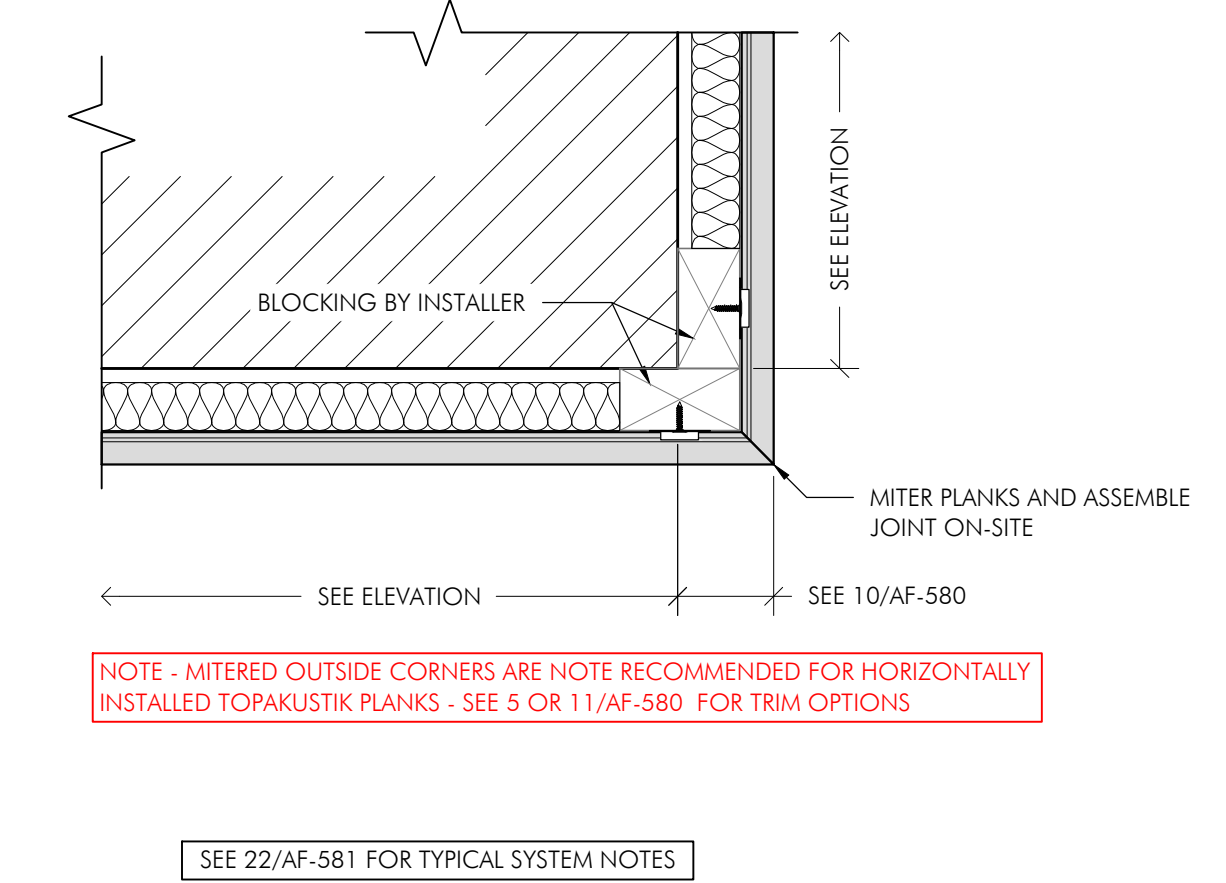
14 CUSTOM ANGLE INSIDE CORNER  
SCALE: 3"=1'-0" REF.



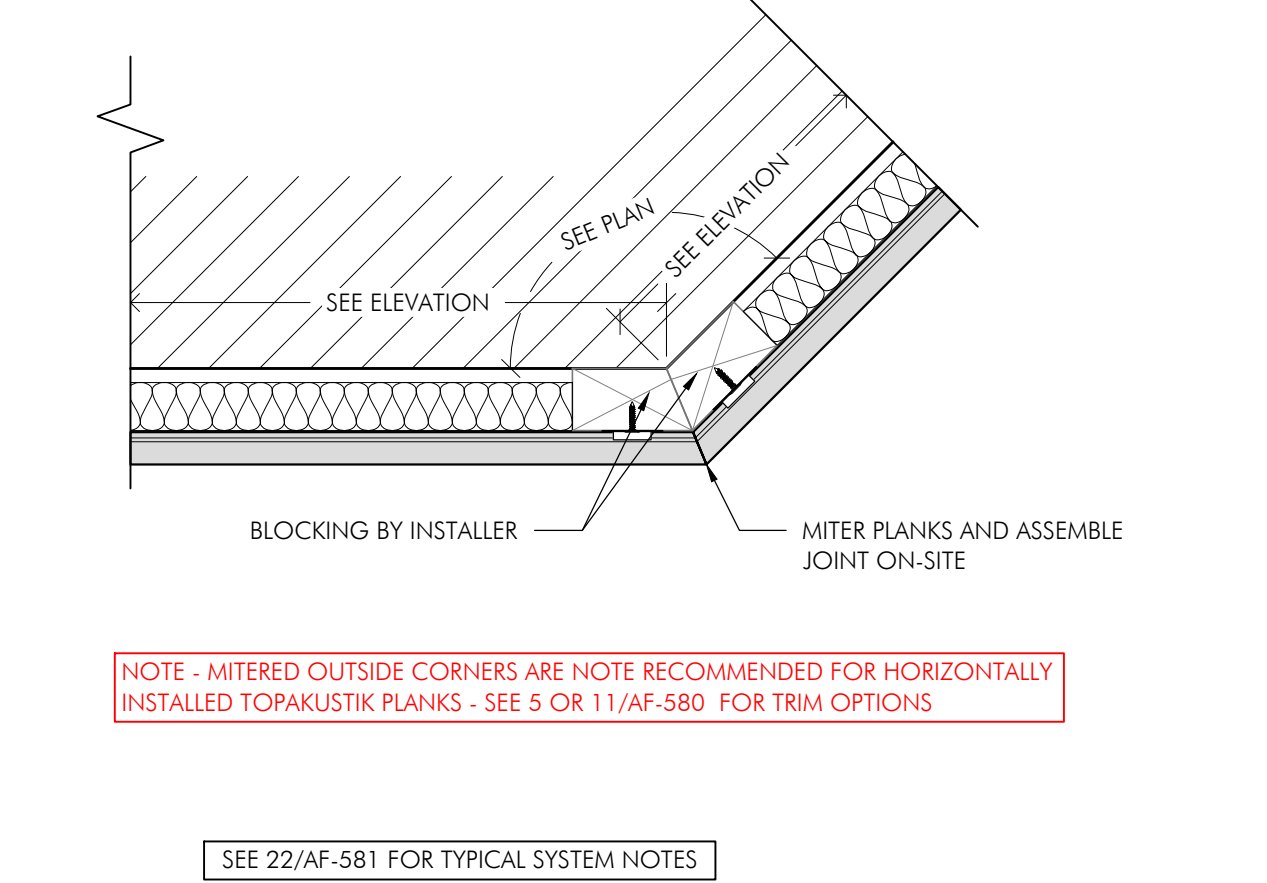
15 INSIDE CORNER - PLAN  
SCALE: 3"=1'-0" REF.



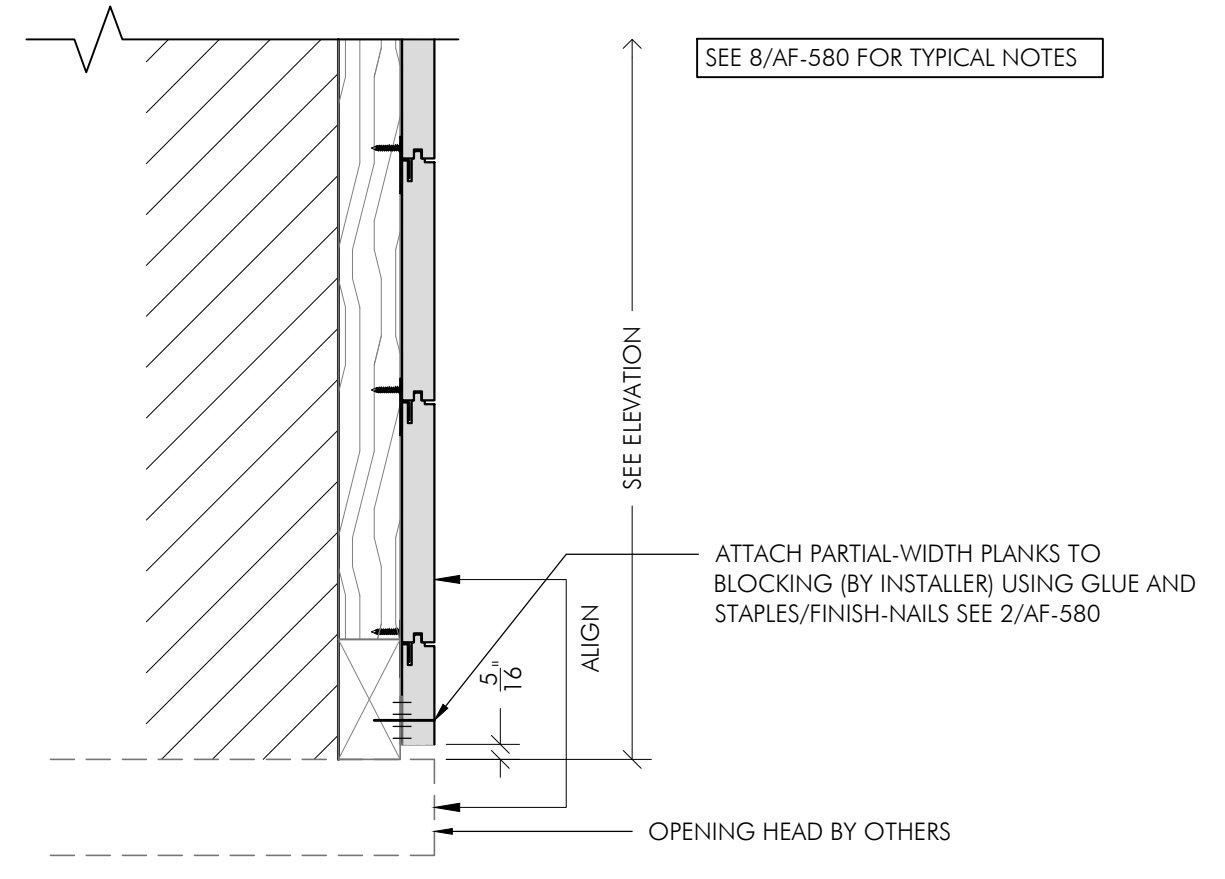
16 TYPICAL SYSTEM NOTES - PLAN  
SCALE: 3"=1'-0" REF.



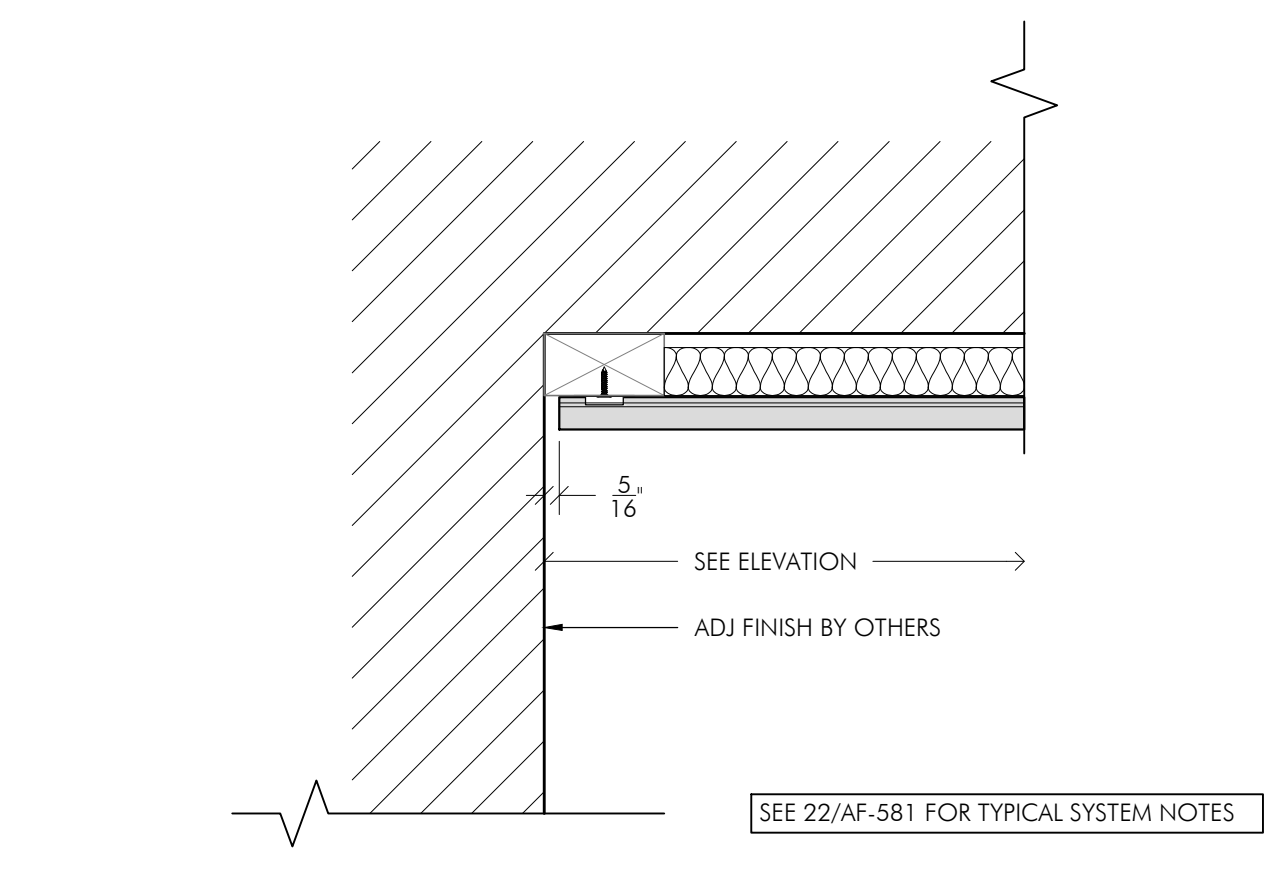
17 OUTSIDE CORNER - MITERED  
SCALE: 3"=1'-0" REF.



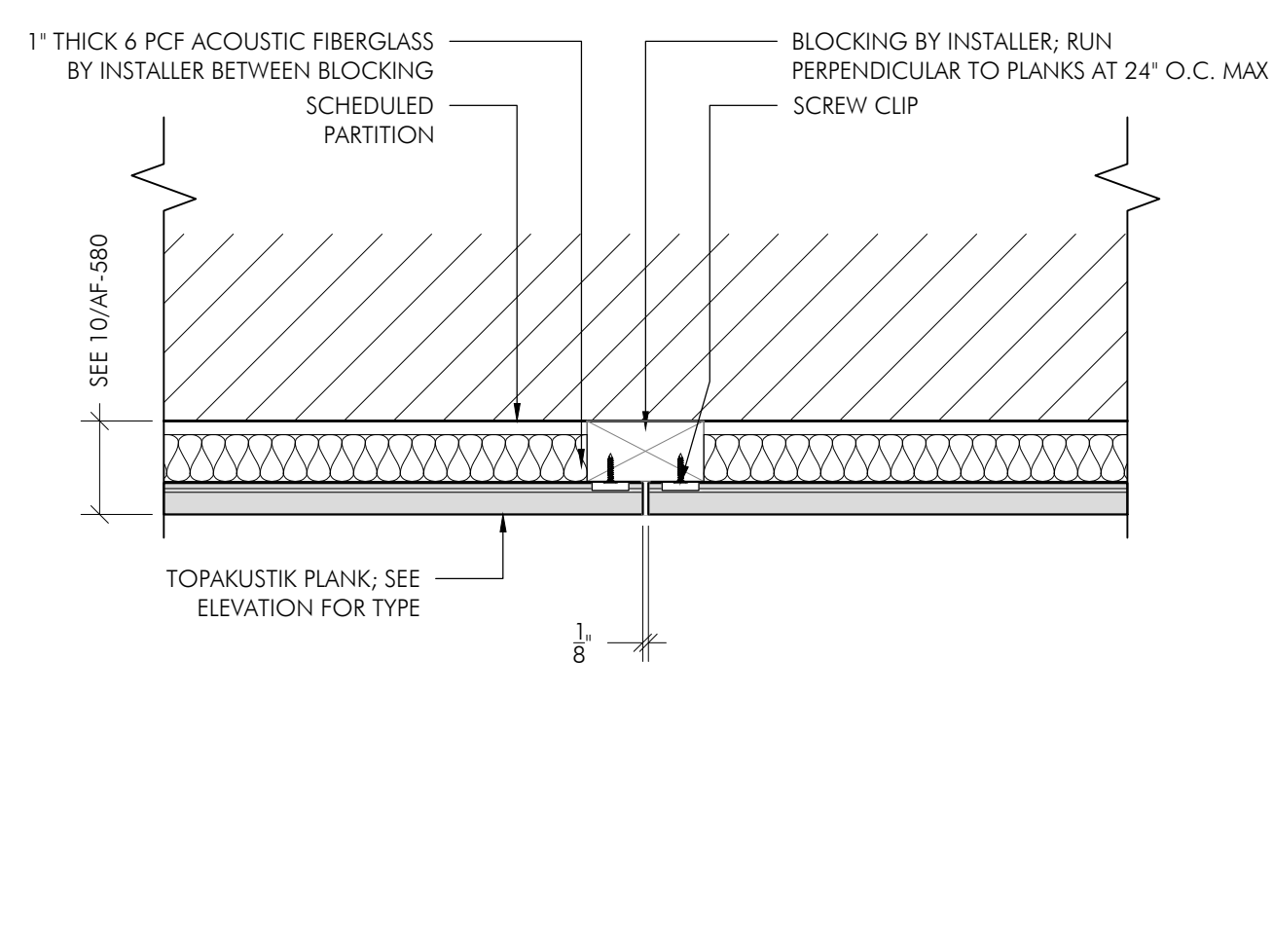
18 CUSTOM ANGLE - MITERED  
SCALE: 3"=1'-0" REF.



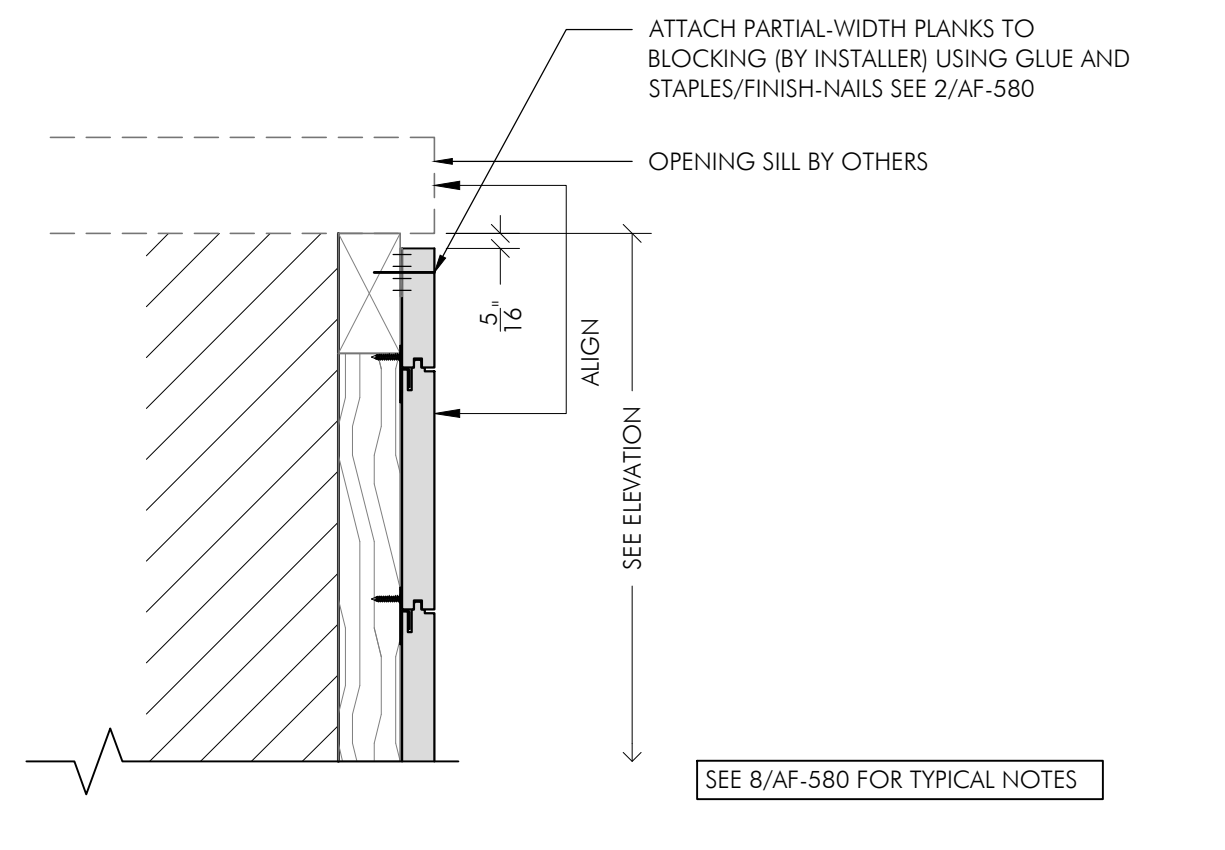
19 OPENING HEAD - SECTION  
SCALE: 3"=1'-0" REF.



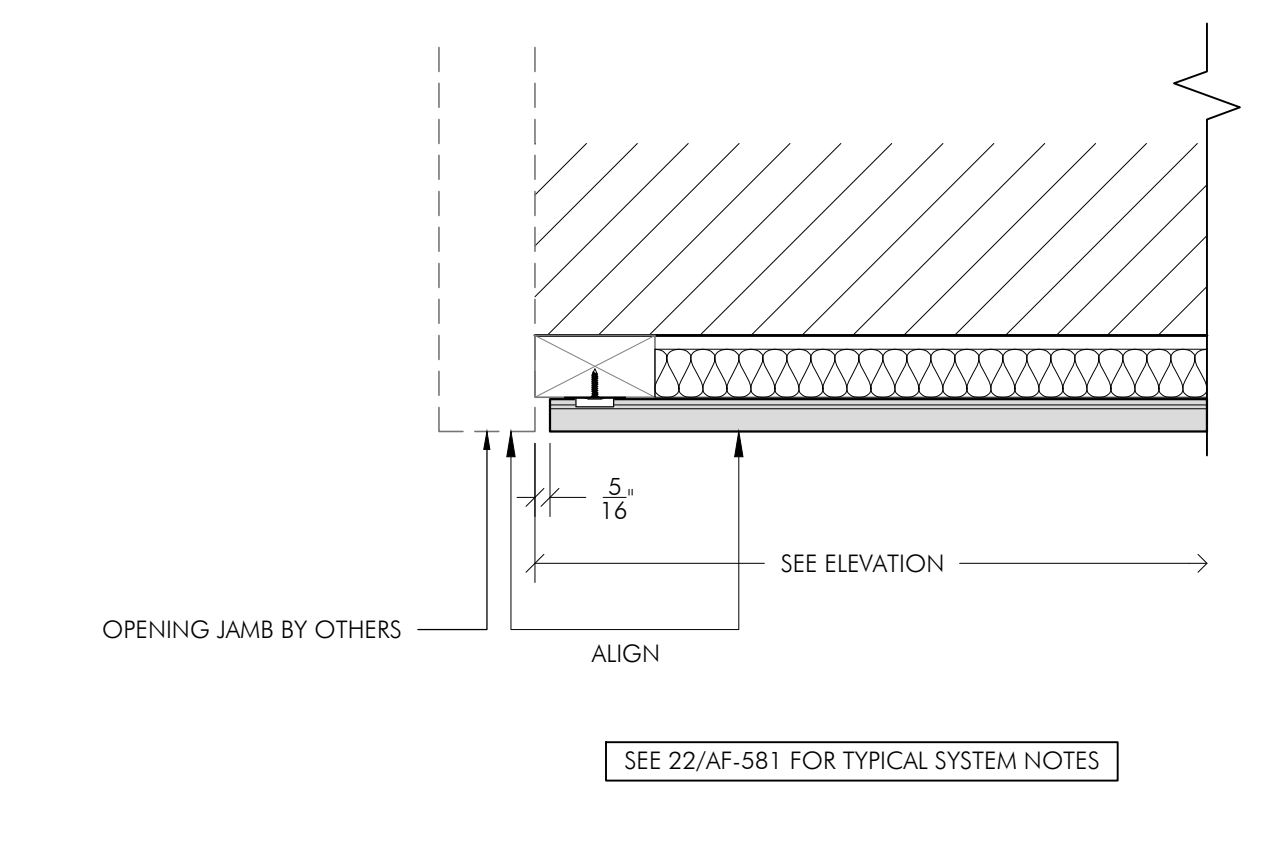
21 INSIDE CORNER - PLAN  
SCALE: 3"=1'-0" REF.



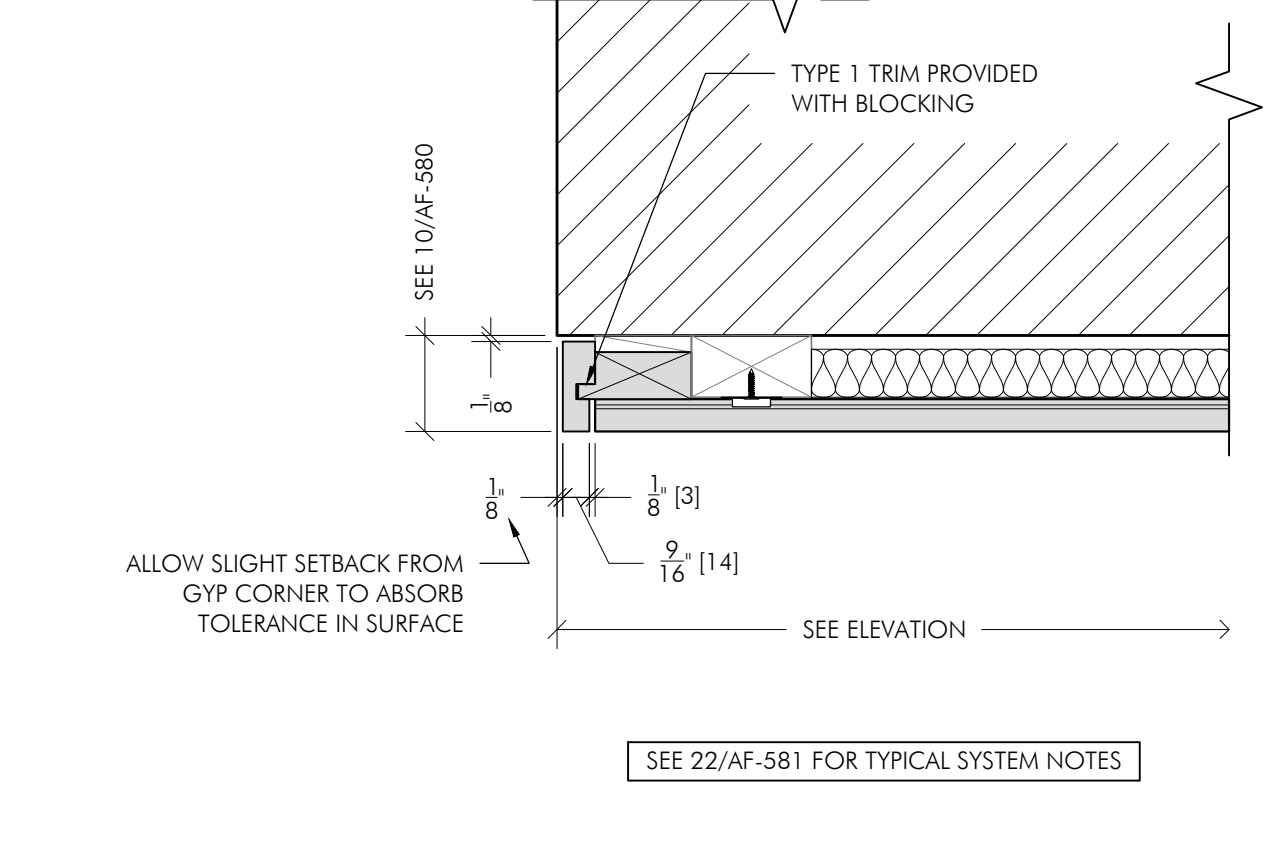
22 REVEAL AT END JOINTS - PLAN  
SCALE: 3"=1'-0" REF.



25 OPENING SILL - SECTION  
SCALE: 3"=1'-0" REF.

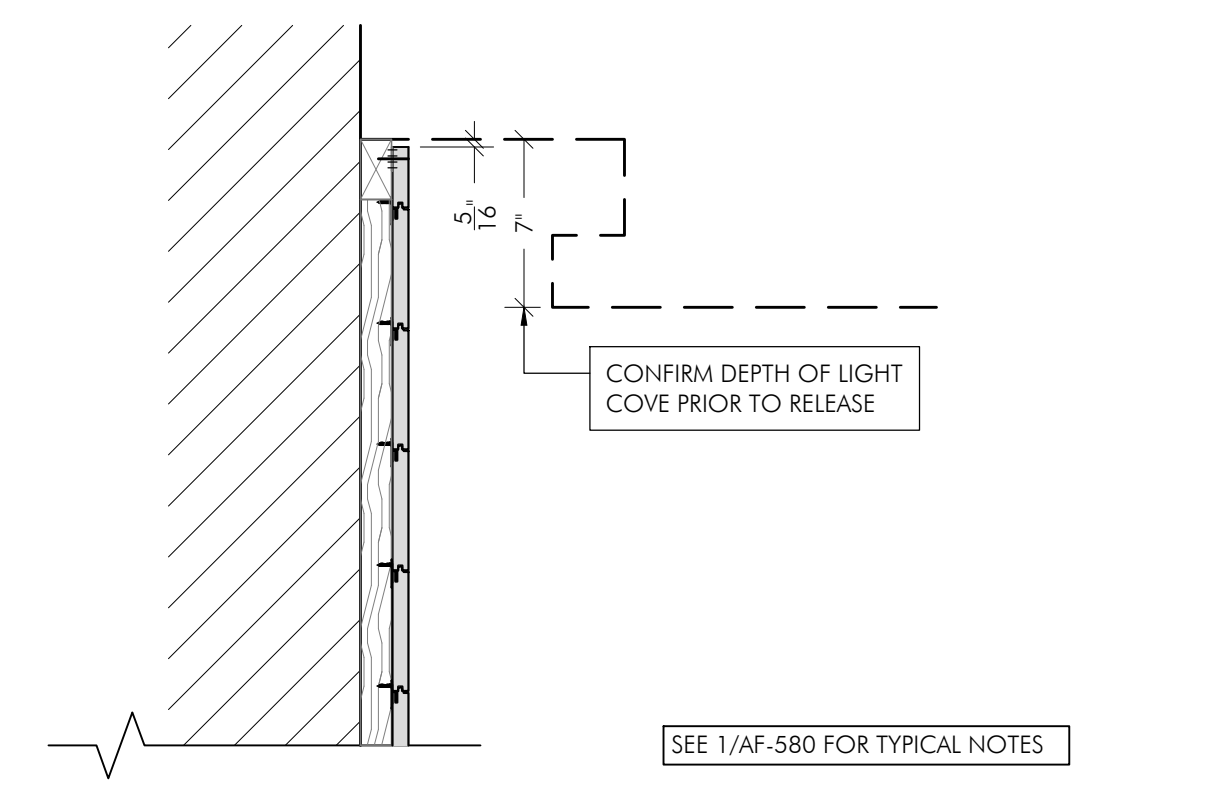
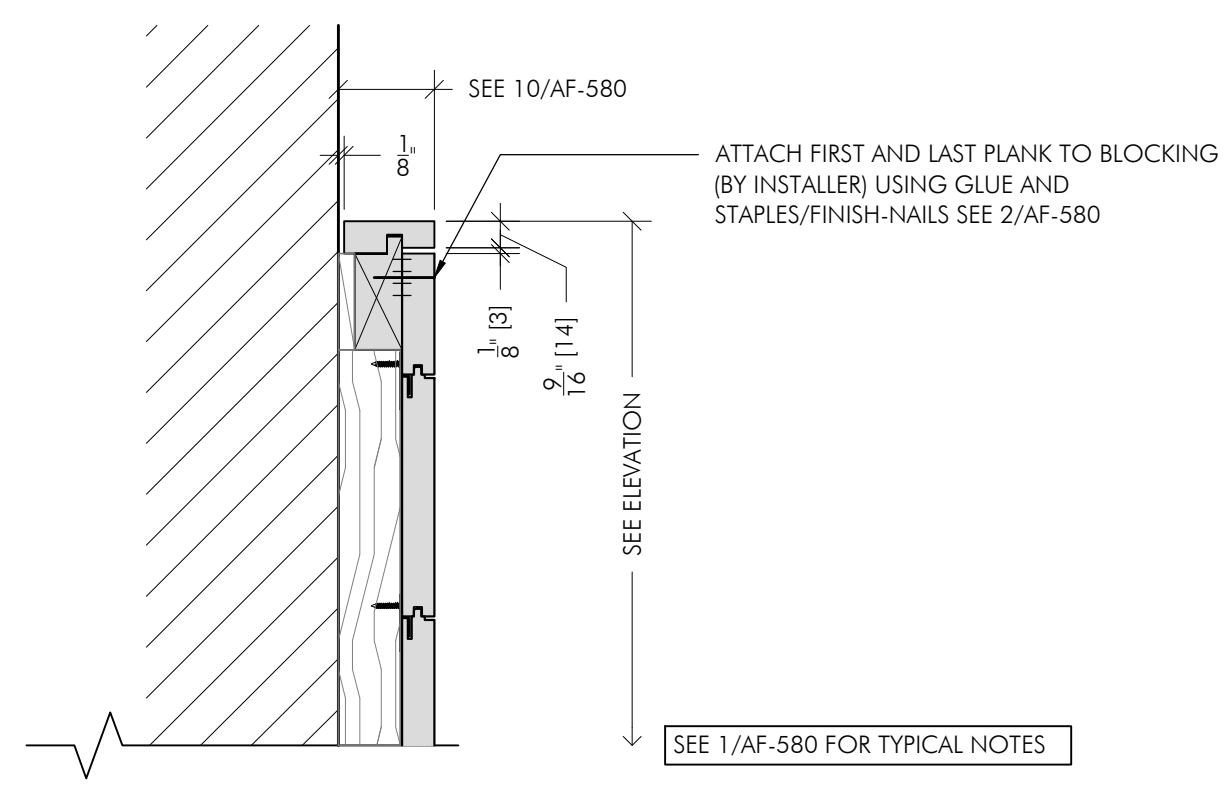


26 OPENING JAMB - PLAN  
SCALE: 3"=1'-0" REF.



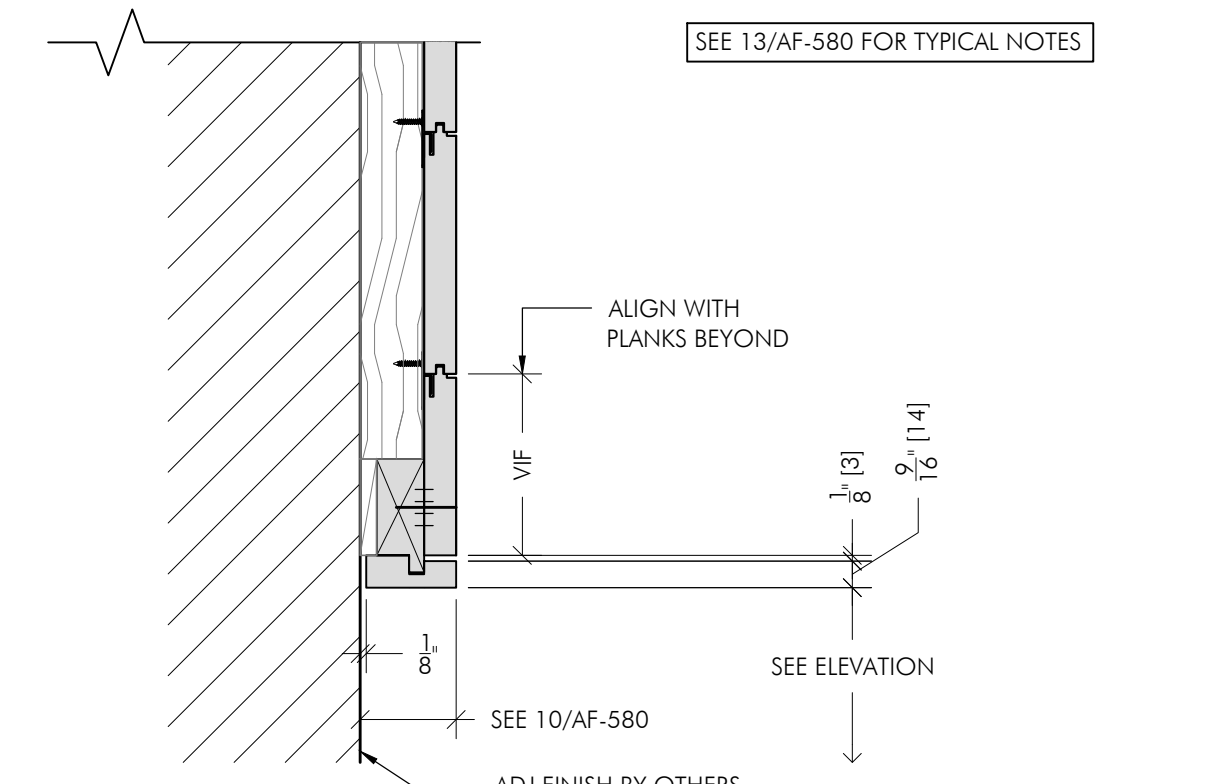
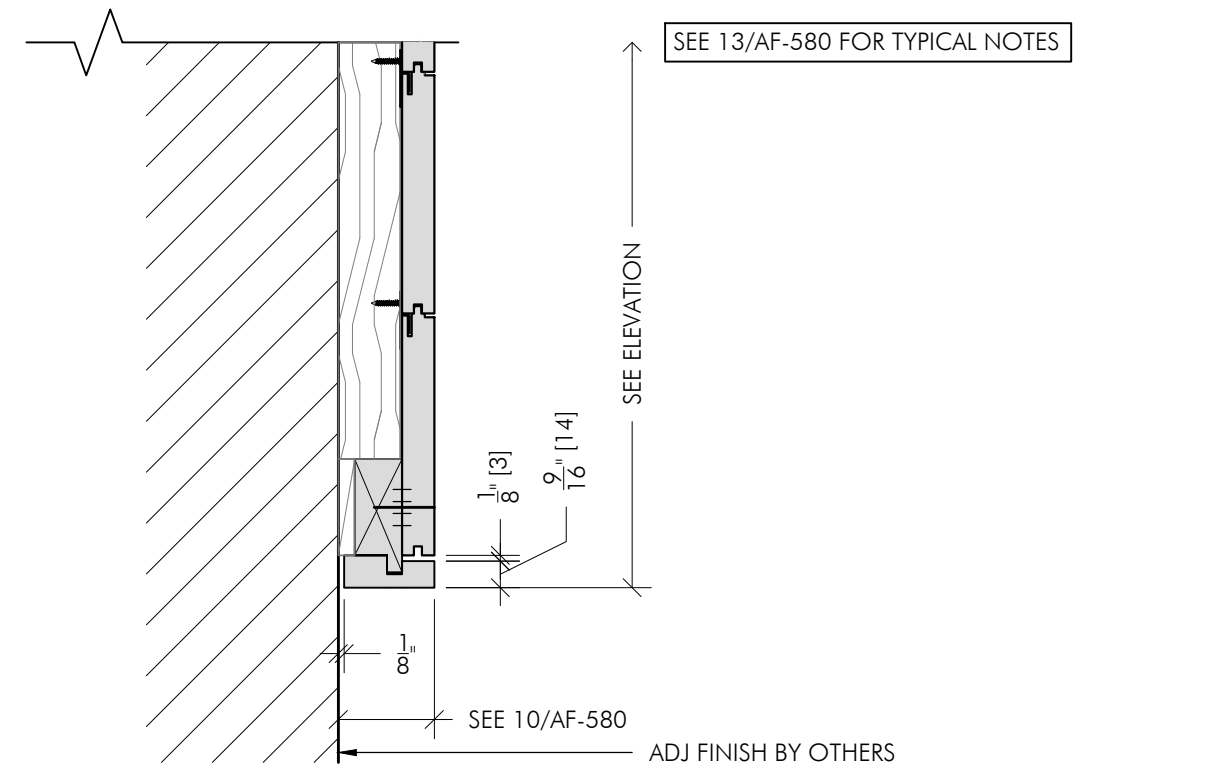
27 TYPE 1 TRIM - PLAN  
SCALE: 3"=1'-0" REF.

PROJECT:	Template	TOPAKUSTIK
SHEET TITLE:	SCREW CLIP (HORIZONTAL PLANKS) DETAILS 1	
REVISIONS:	ISSUE DATE:	SCALE:
▲	1/4/2024	NOTED
▲	PROJ MGR:	PAGE NO:
▲		26/29
▲	PRODUCTION TOLERANCE:	REV NO:
	0.36 ± 1/32"	0
	±1/32 PER 36" OF PRODUCT	



1 HEAD DETAIL - TYPE 1 TRIM  
SCALE: 3"=1'-0" REF:

2 HEAD DETAIL - LIGHT COVE  
SCALE: 1 1/2"=1'-0" REF:



3 BOTTOM OF SCOPE - TYPE 1 TRIM  
SCALE: 3"=1'-0" REF:

4 BOTTOM OF SCOPE - TYPE 1 TRIM  
SCALE: 3"=1'-0" REF:

PROJECT:		Template		TOP(A)K(U)S(T)I(K)	
SHEET TITLE:		SCREW CLIP (HORIZONTAL PLANKS) DETAILS 2			
REVISIONS:	ISSUE DATE:	SCALE:	NOTED	3 <sup>RD</sup> ANG.	PROJ.
△	1/4/2024				
△	PROJ MGR:	DRAWN BY:	PAGE NO:	27/29	REV NO:
△					0
△	PRODUCTION TOLERANCE:	AF-581			
△	±.36" ± 1/32"				
	± 1/32" PER 3/4" OF PRODUCT				