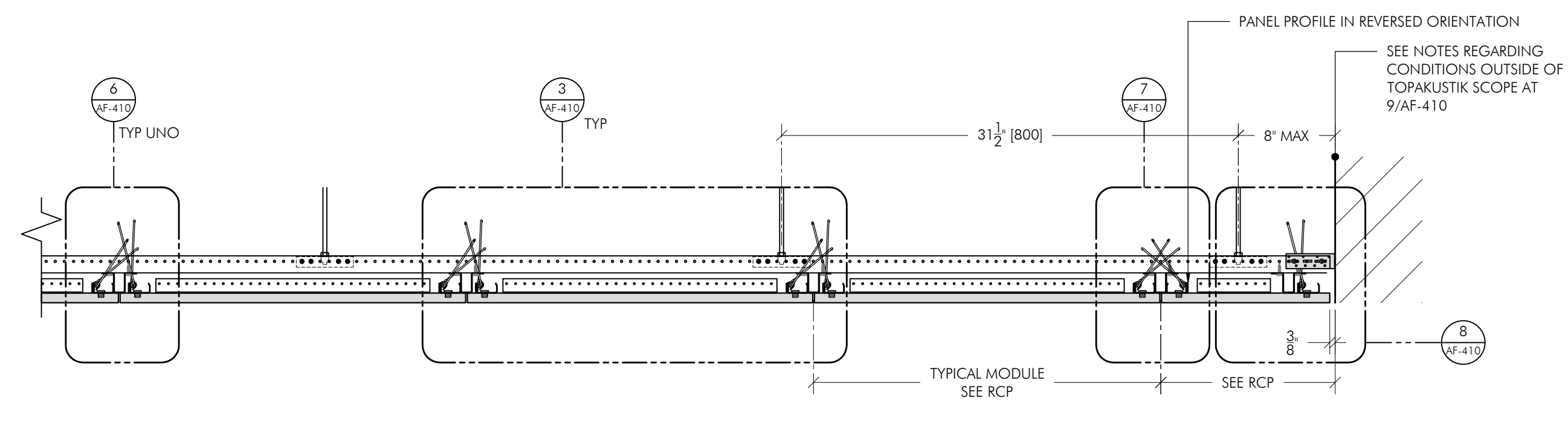


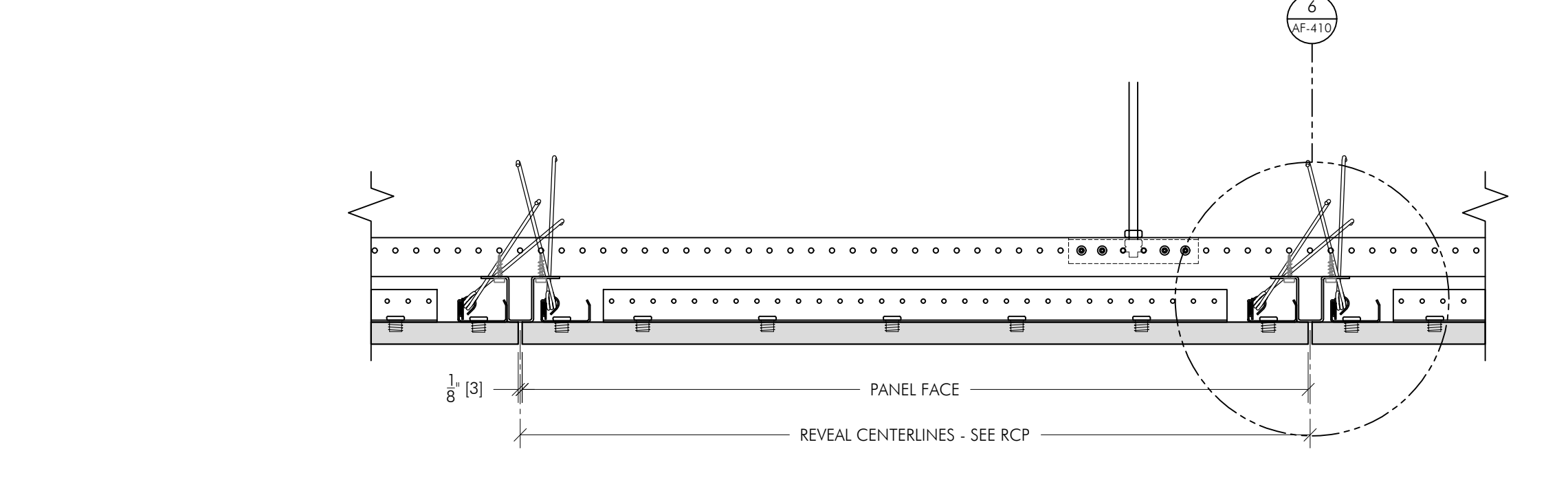
1 TYPICAL SECTION DETAIL - TRANSVERSE  
SCALE: 1 1/2"=1'-0"

SYSTEM DETAIL - EXACT SECTION  
MAY NOT OCCUR ON THIS PROJECT  
REF:



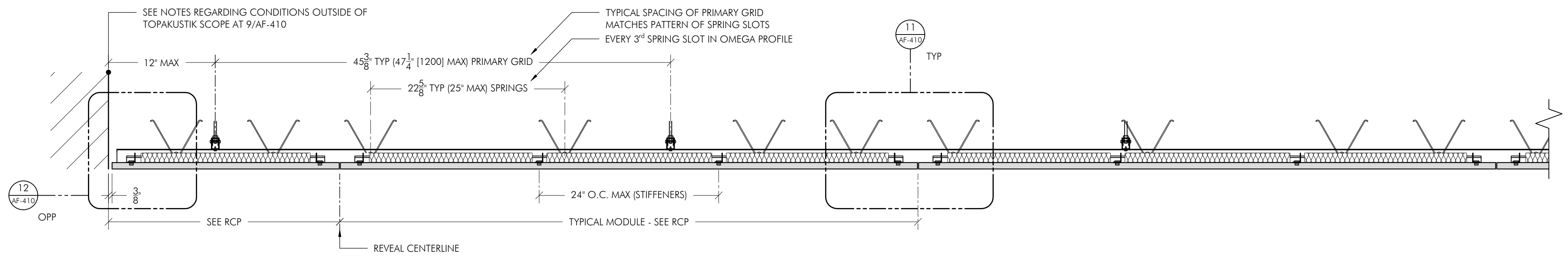
2 TYPICAL SECTION DETAIL - TRANSVERSE  
SCALE: 1 1/2"=1'-0"

SYSTEM DETAIL - EXACT SECTION  
MAY NOT OCCUR ON THIS PROJECT  
REF:



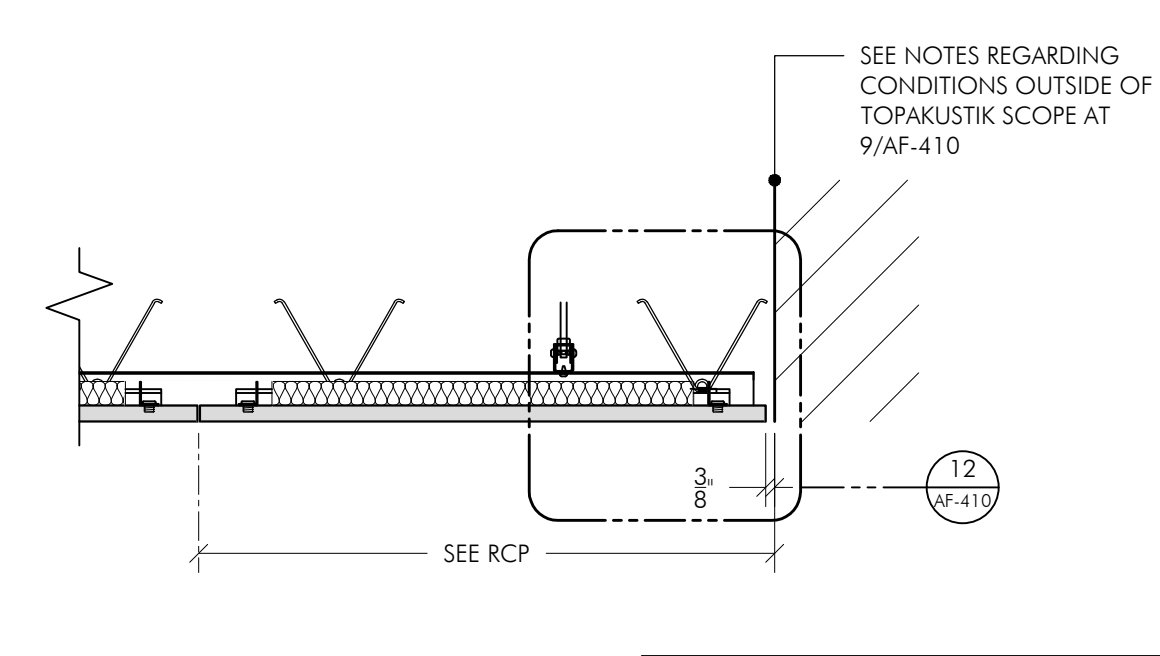
3 TYPICAL SECTION DETAIL - TRANSVERSE  
SCALE: 3"=1'-0"

REF: 1/AF-410



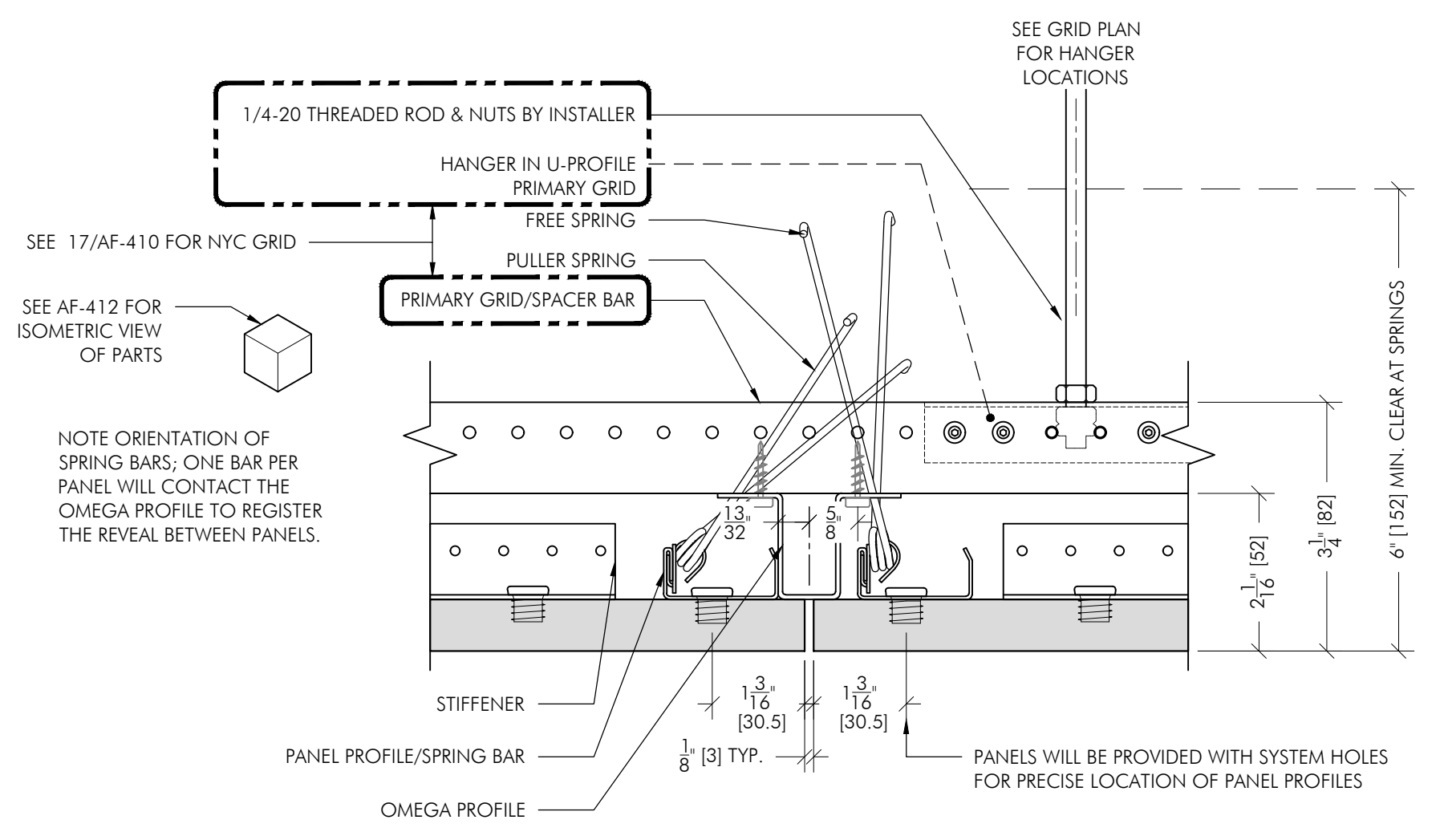
4 TYPICAL SECTION DETAIL - LONGITUDINAL  
SCALE: 1 1/2"=1'-0"

SYSTEM DETAIL - EXACT SECTION  
MAY NOT OCCUR ON THIS PROJECT  
REF:



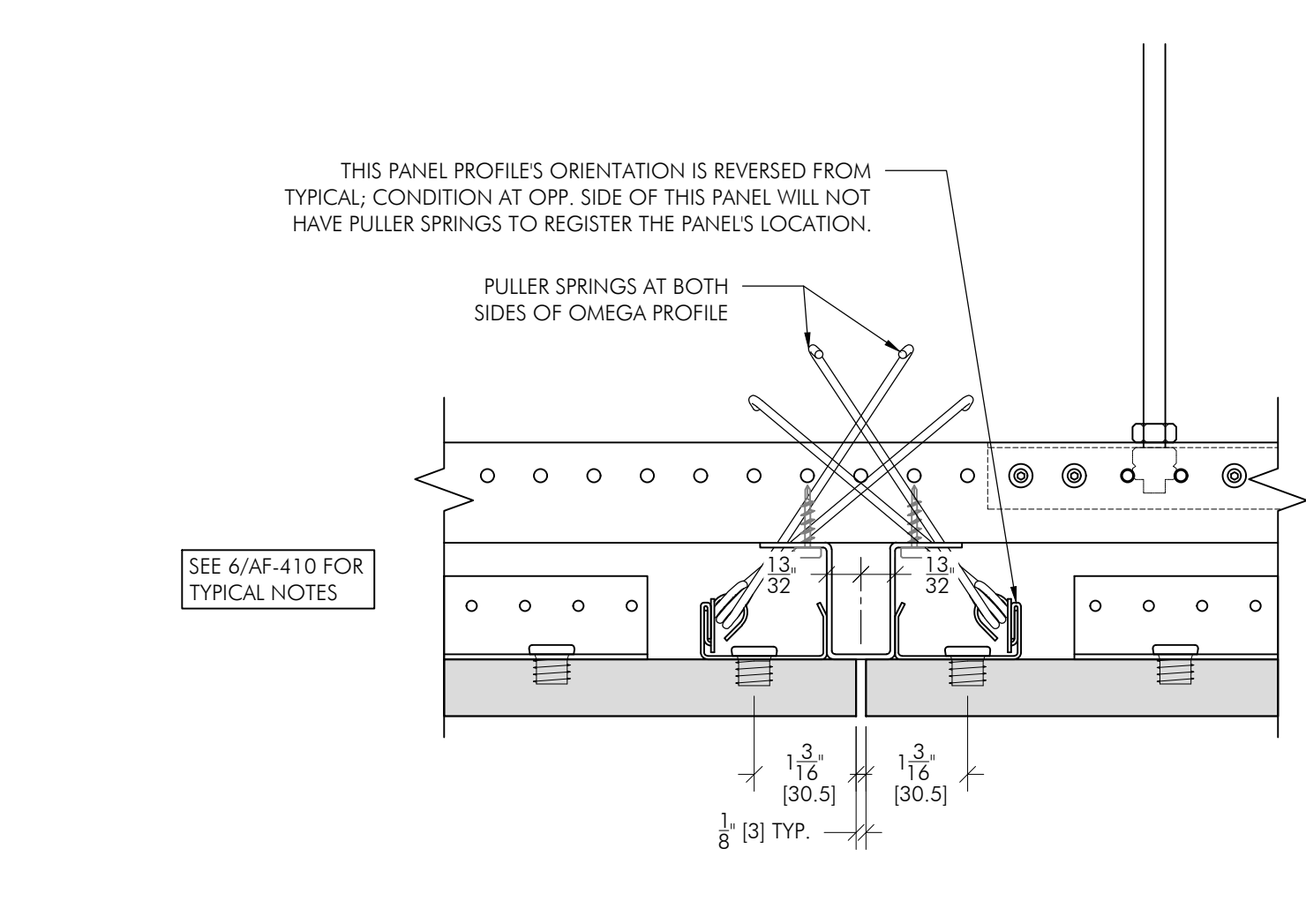
5 PANEL ACCESS  
SCALE: 3"=1'-0"

REF: TYPICAL



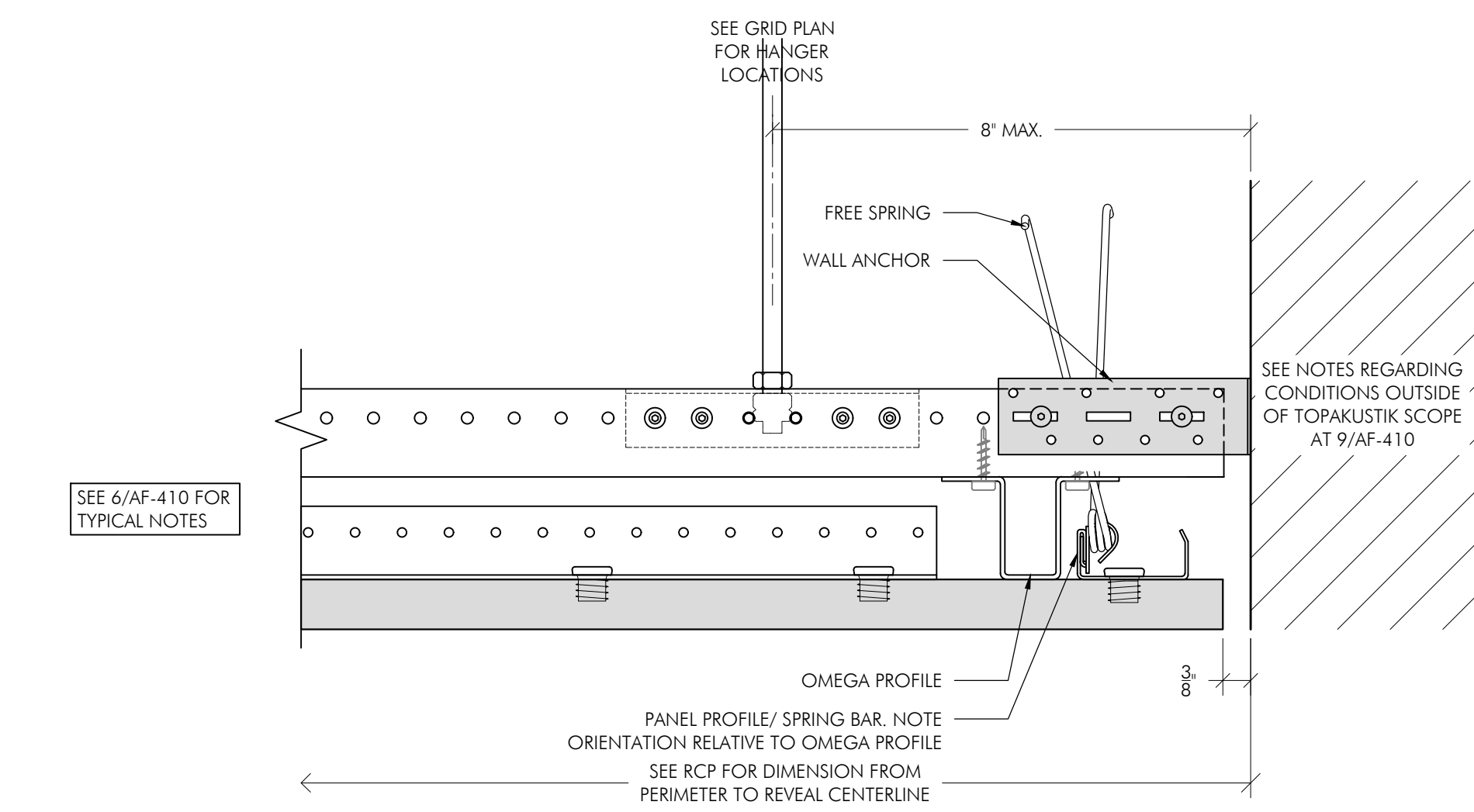
6 TRANSVERSE SECTION @ REVEAL (TYP.)  
SCALE: 6"=1'-0"

REF: 1/AF-410



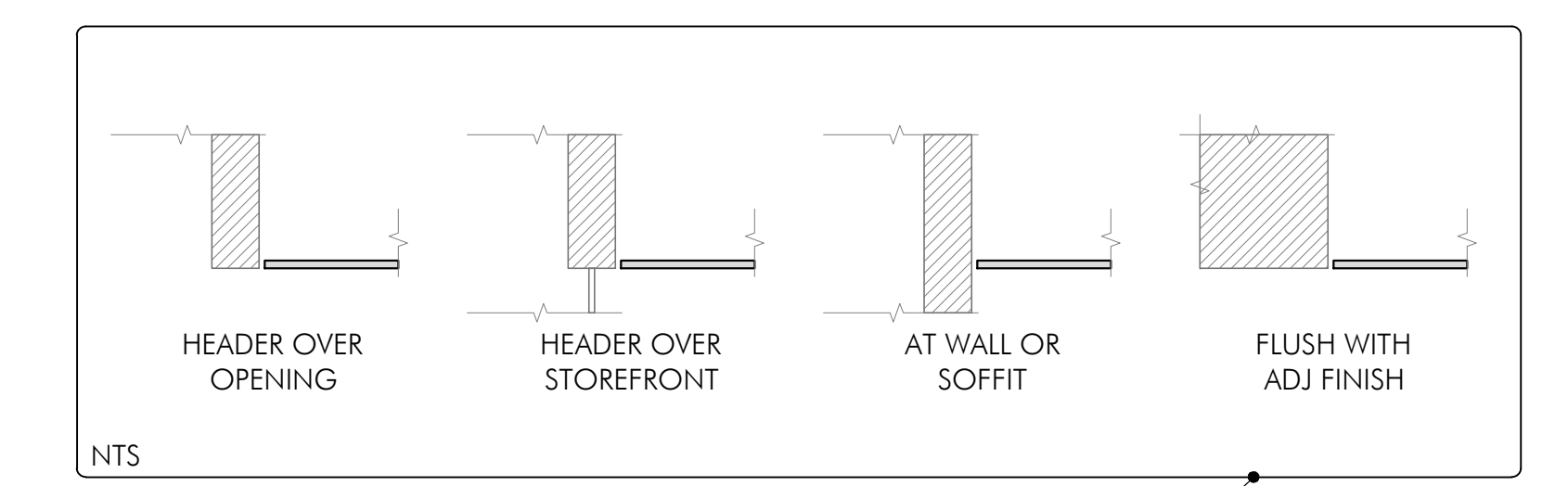
7 TRANSVERSE SECTION @ REVEAL (ALT.)  
SCALE: 6"=1'-0"

REF: 2/AF-410



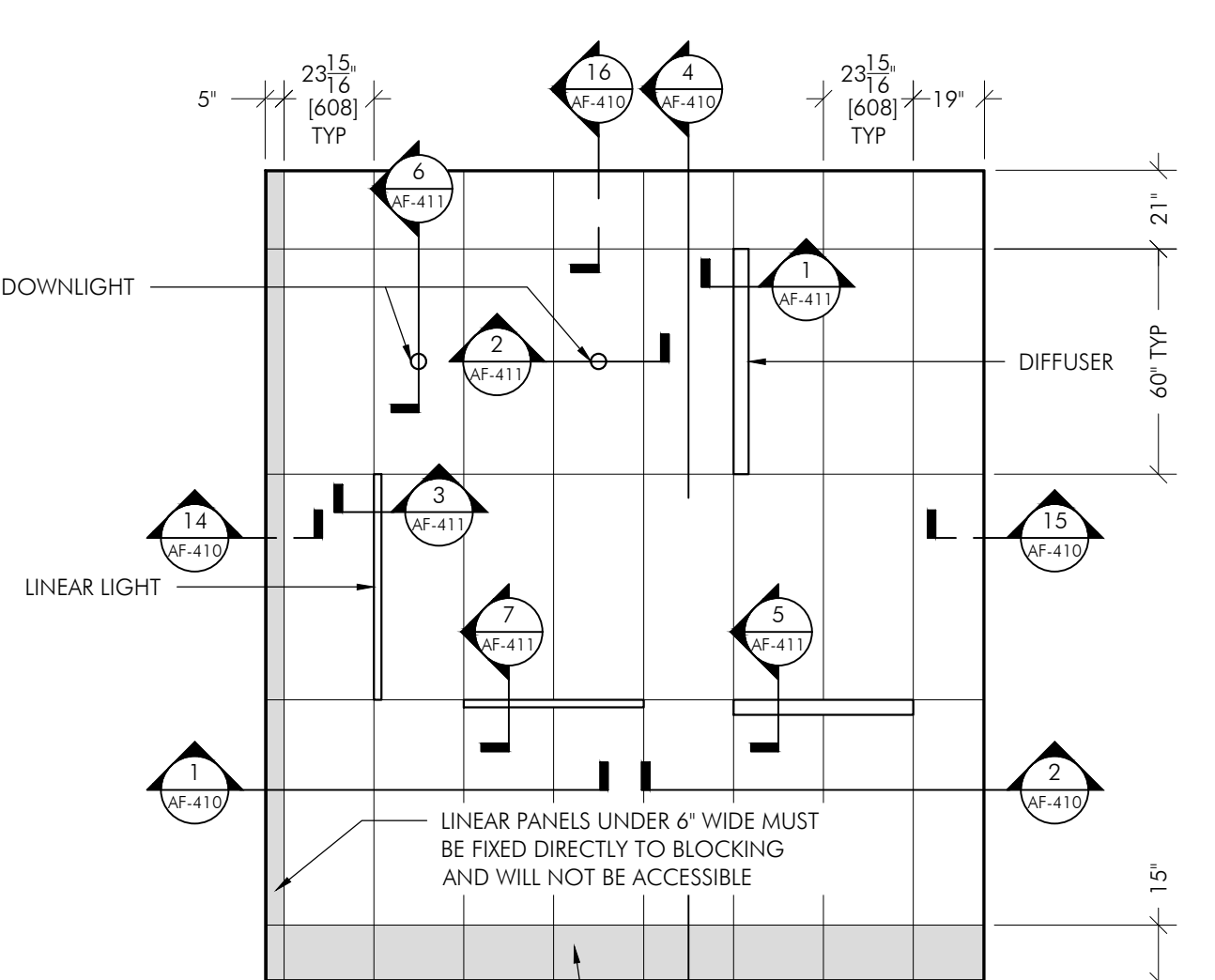
8 TRANSVERSE SECTION @ PERIMETER (TYP.)  
SCALE: 6"=1'-0"

REF: TYPICAL



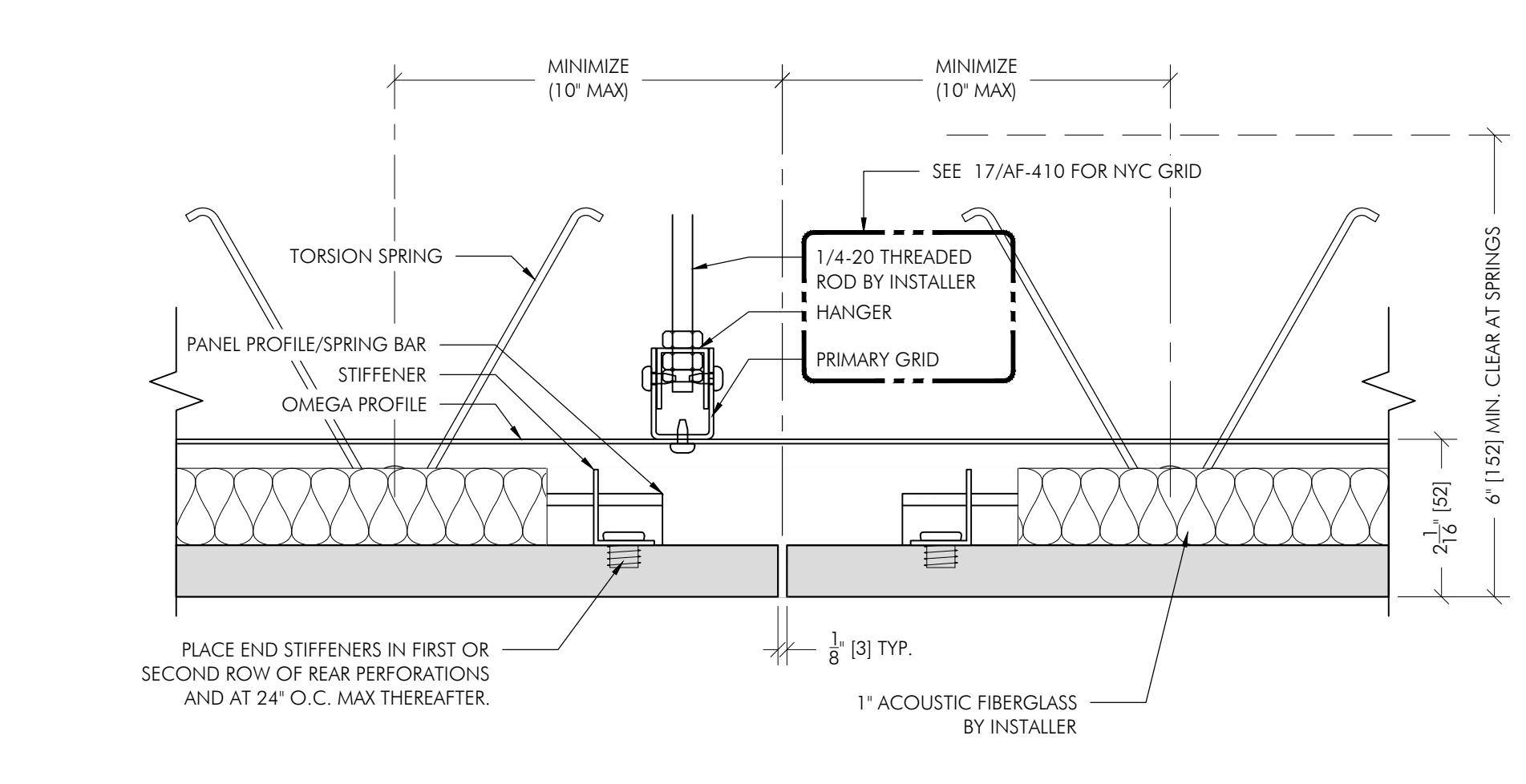
9 PERIMETER CONDITIONS  
SCALE: 6"=1'-0"

REF: TYPICAL



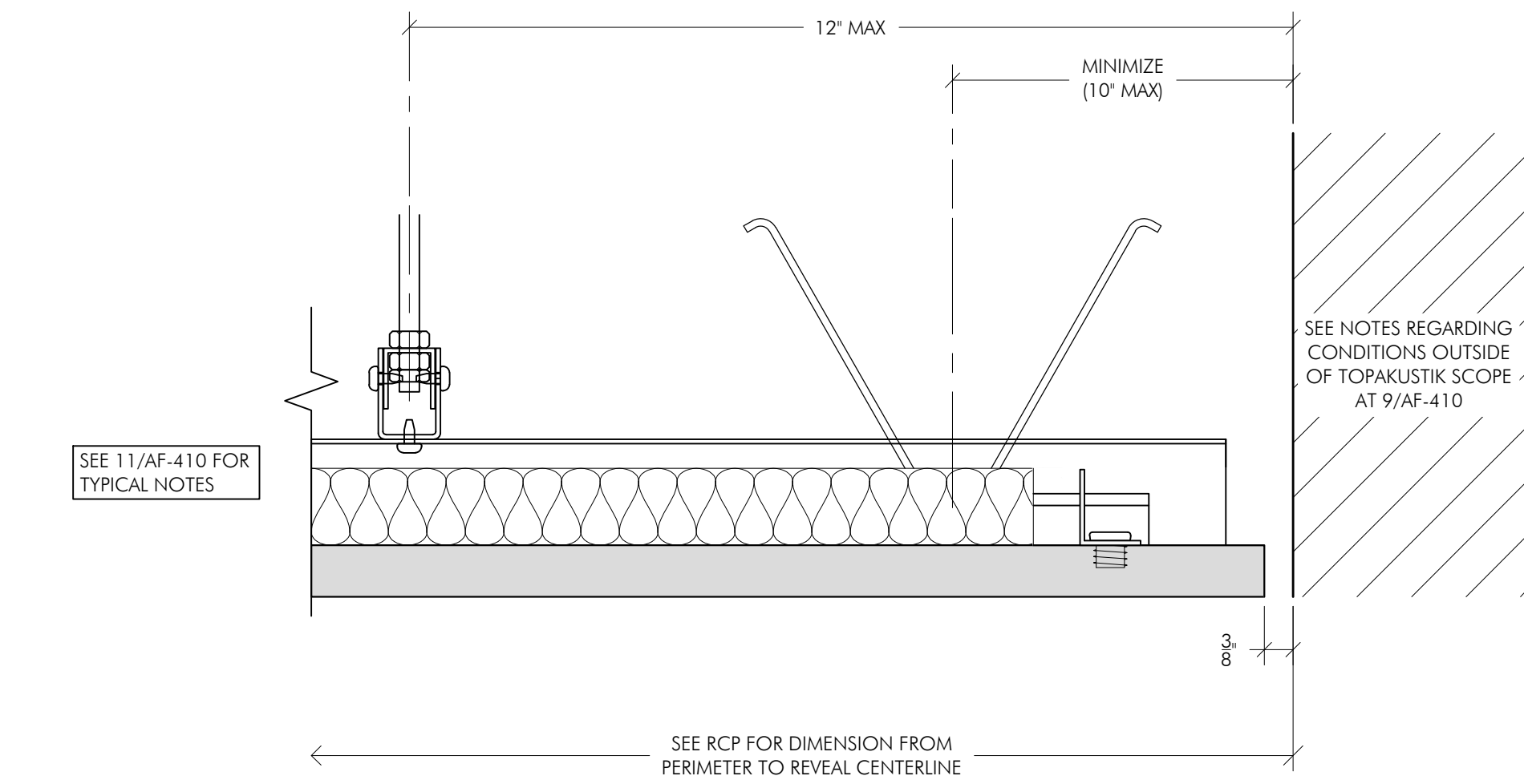
10 EXAMPLE RCP  
SCALE: 1/4"=1'-0"

REF:



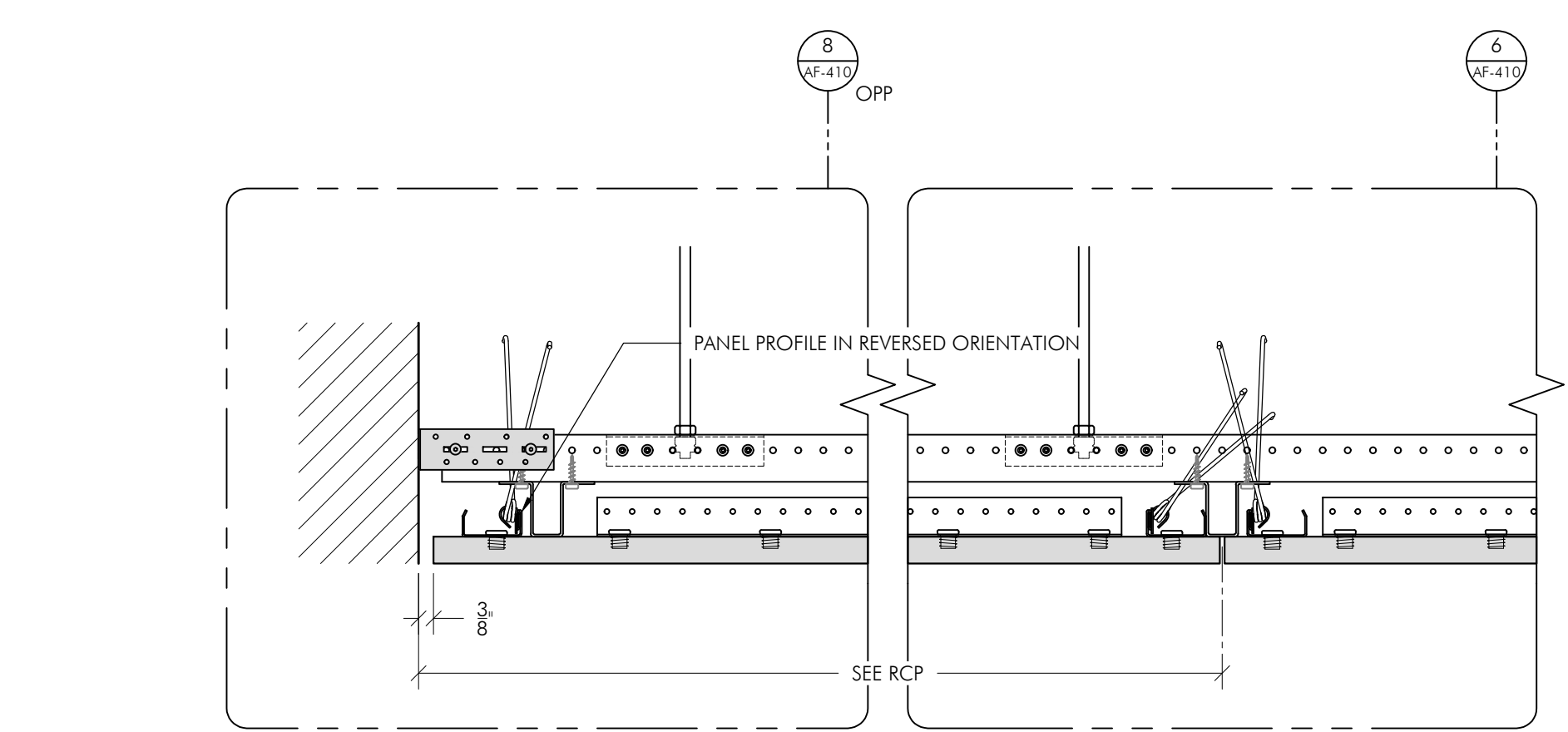
11 LONGITUDINAL SECTION @ REVEAL (TYP.)  
SCALE: 6"=1'-0"

REF: 4/AF-410



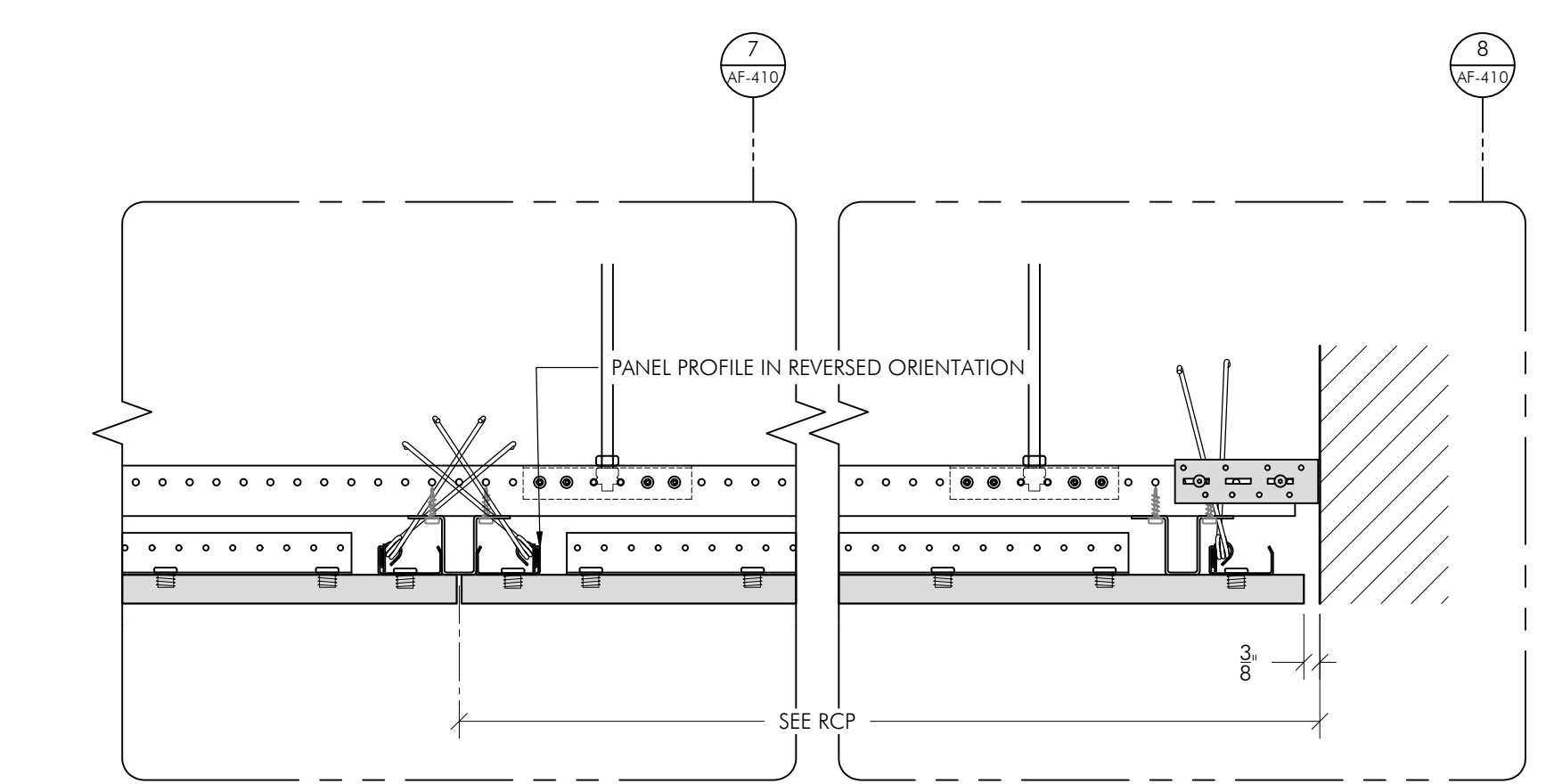
12 LONGITUDINAL SECTION @ PERIMETER (TYP.)  
SCALE: 6"=1'-0"

REF: 4/AF-410



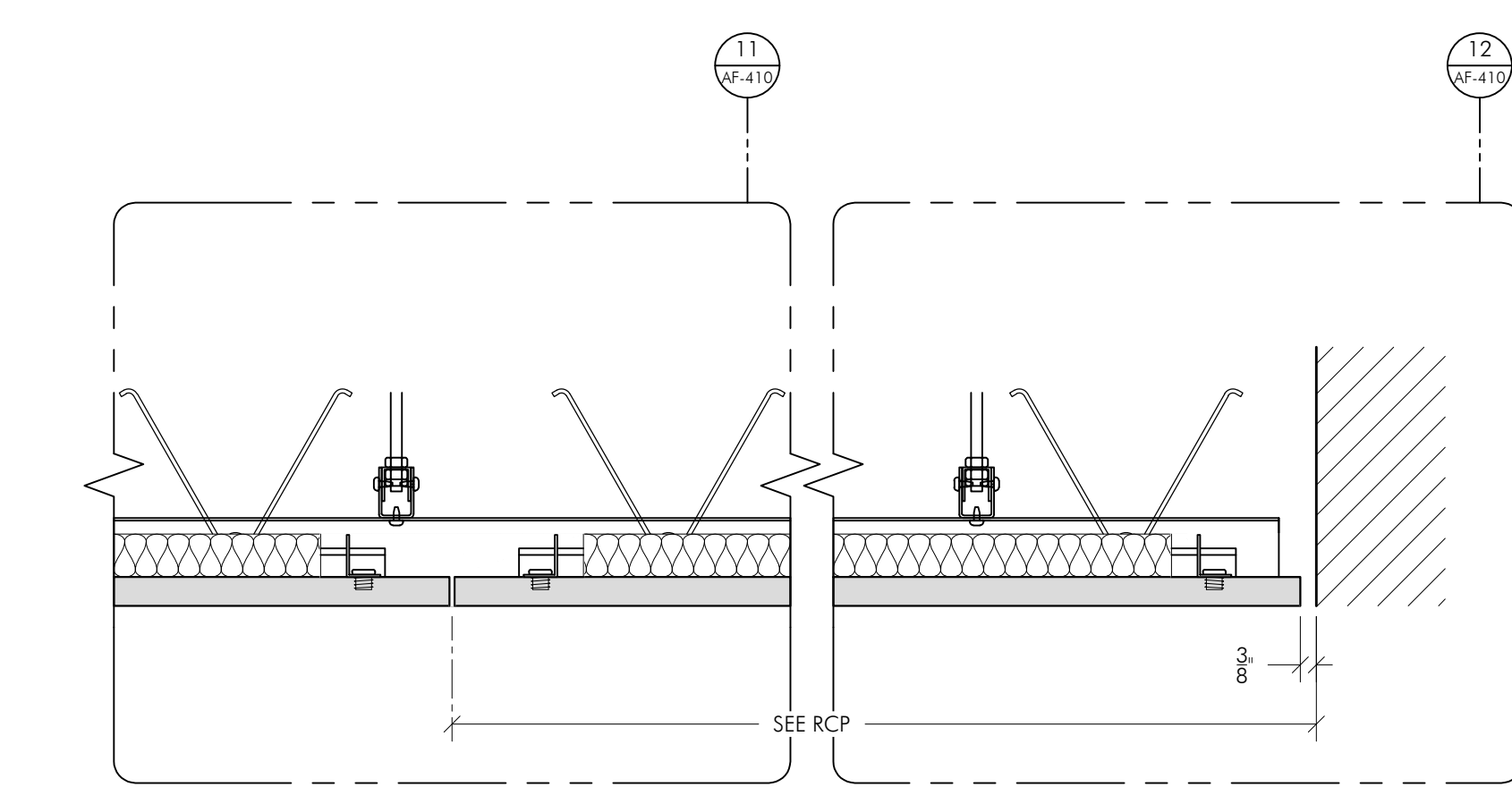
14 TRANSVERSE SECTION @ PERIMETER  
SCALE: 3"=1'-0"

REF:



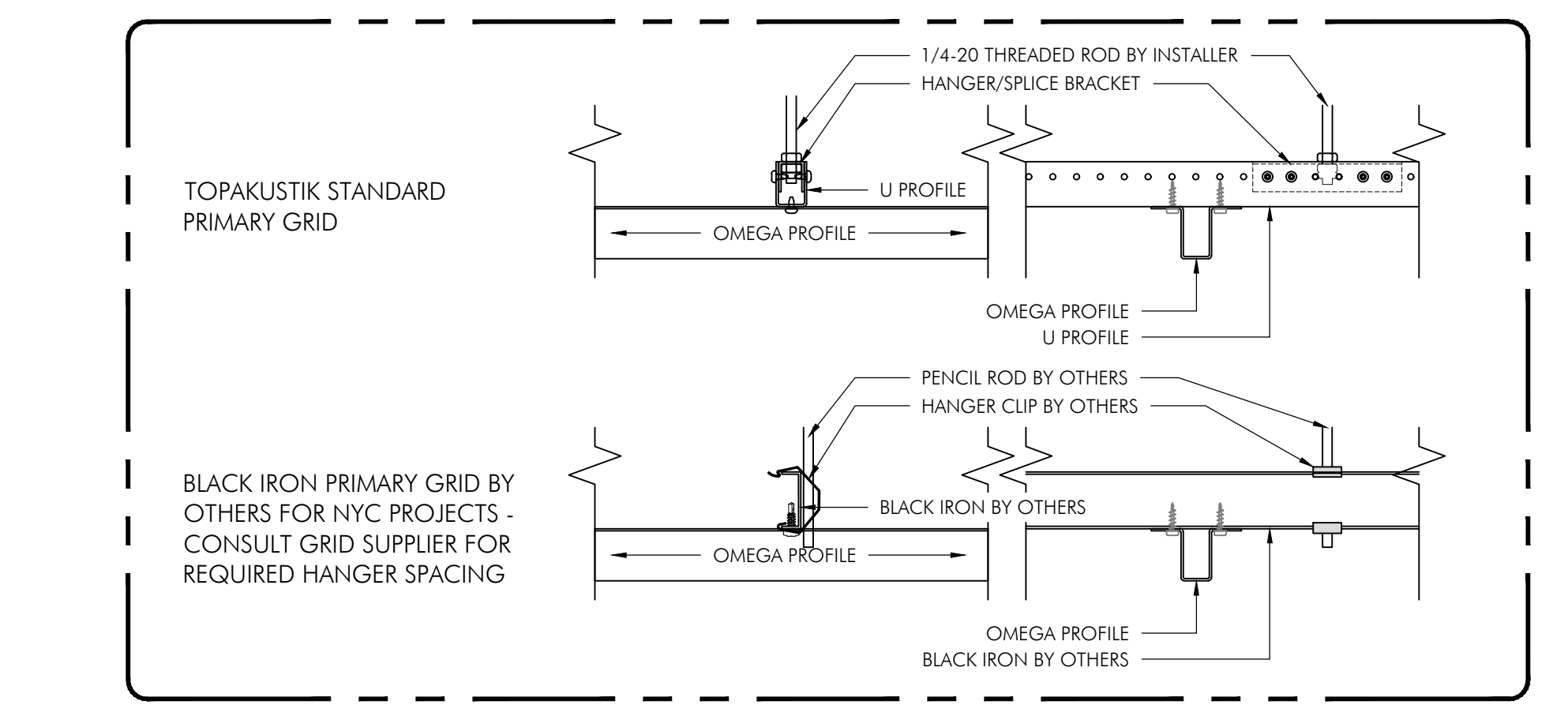
15 TRANSVERSE SECTION @ PERIMETER  
SCALE: 3"=1'-0"

REF:



16 LONGITUDINAL SECTION @ PERIMETER  
SCALE: 3"=1'-0"

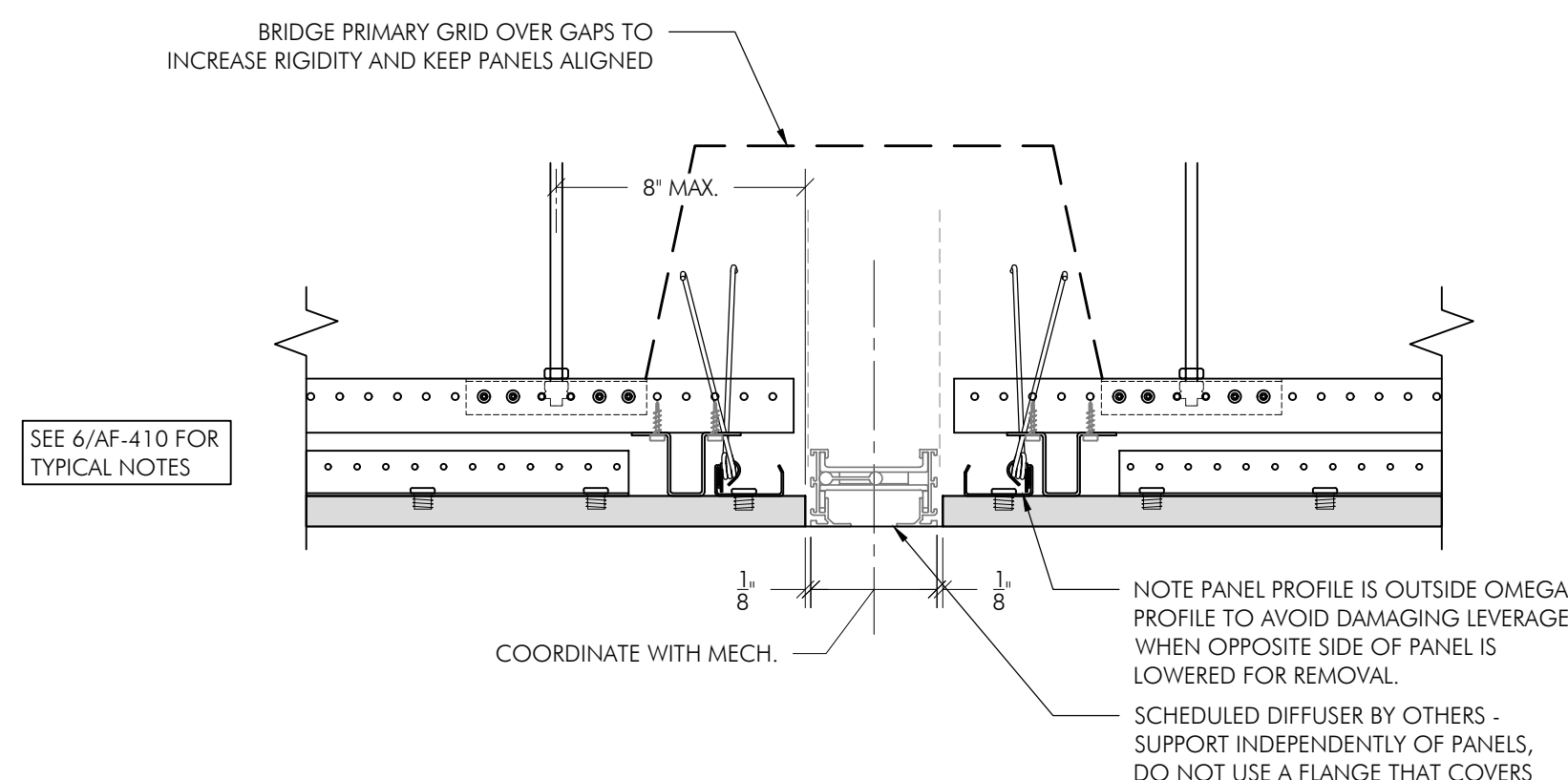
REF:



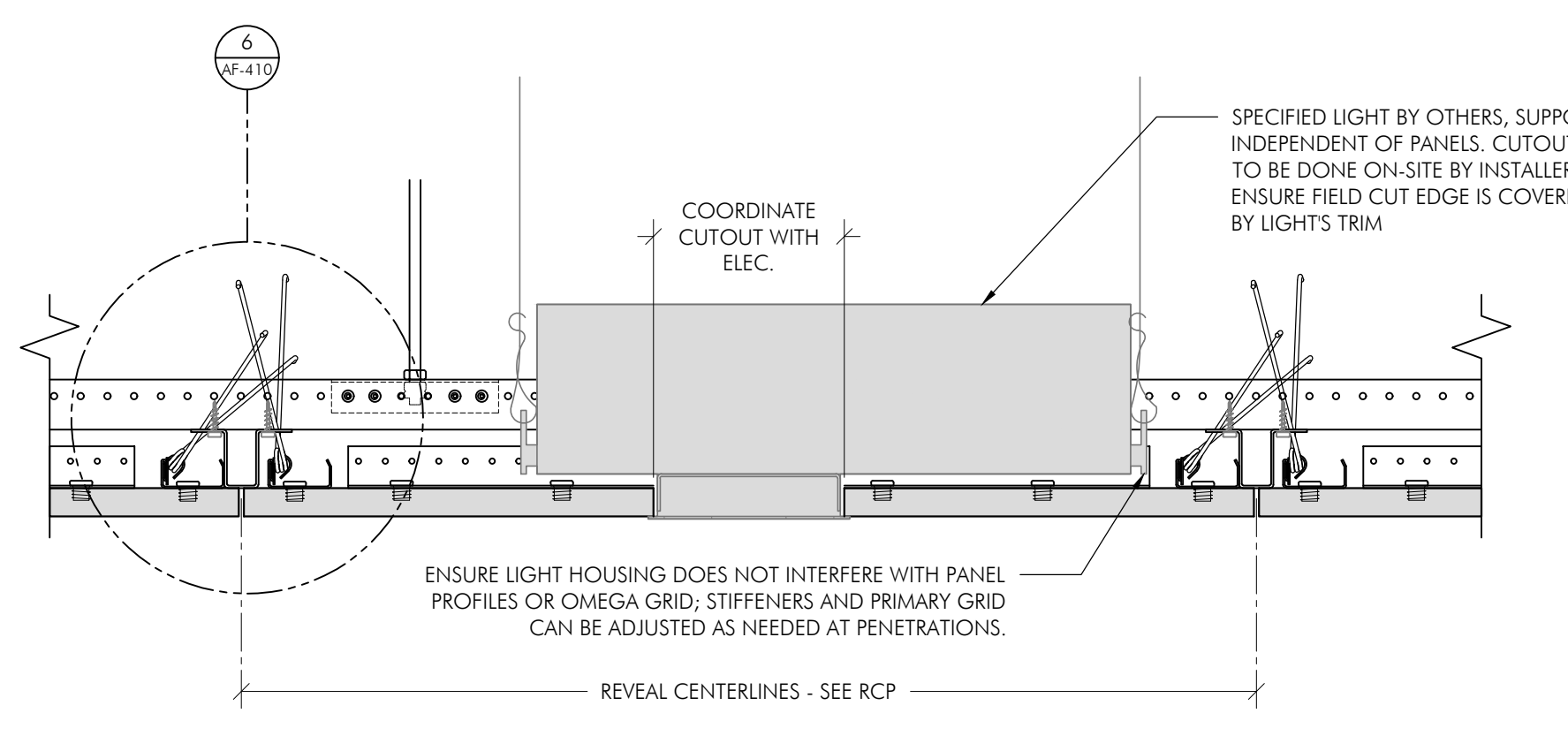
17 ALTERNATE PRIMARY GRID FOR NYC  
SCALE: 3"=1'-0"

REF: 6 & 11/AF-410

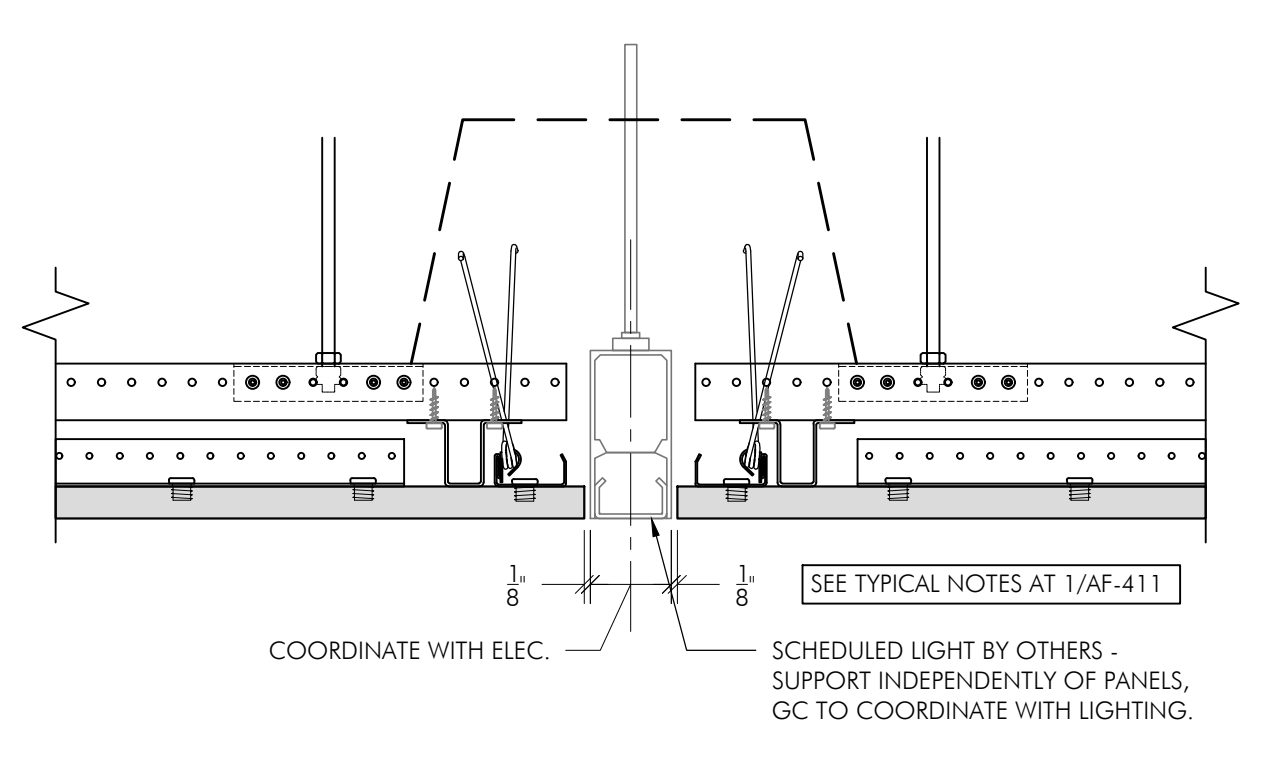
PROJECT: Template	TOP(A)K(U)S(T)I(K)		
SHEET TITLE: S11 DETAILS 1	ISSUE DATE: 10/31/2024	SCALE:	NOTED 3 <sup>RD</sup> ANG. PROJ.
REVISIONS: ▲ ▲ ▲	PROJ MGR: DRAWN BY:	PAGE NO.: 5/36	REV NO.: 0
	PRODUCTION TOLERANCE: 0.36" ± 1/32" ± 1/32" PER 36" OF PRODUCT	AF-410	



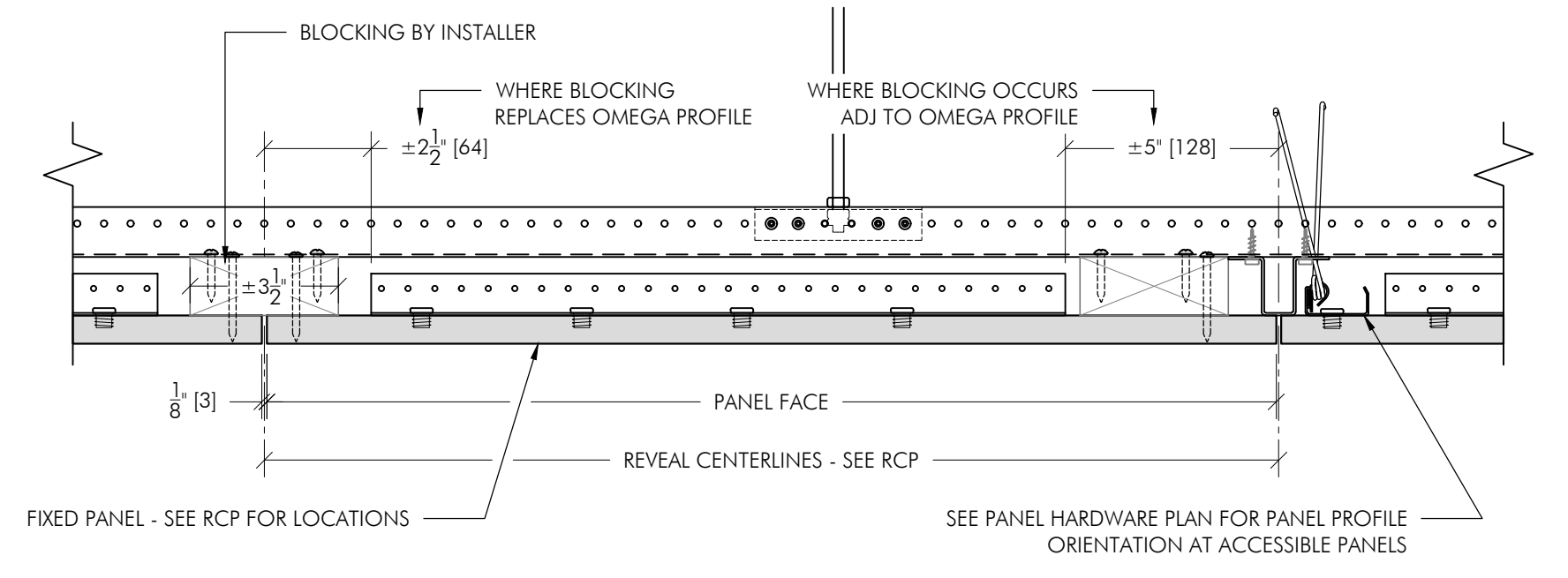
1 LINEAR DEVICE ALONG LENGTH  
SCALE: 3"=1'-0"  
REF: TYPICAL



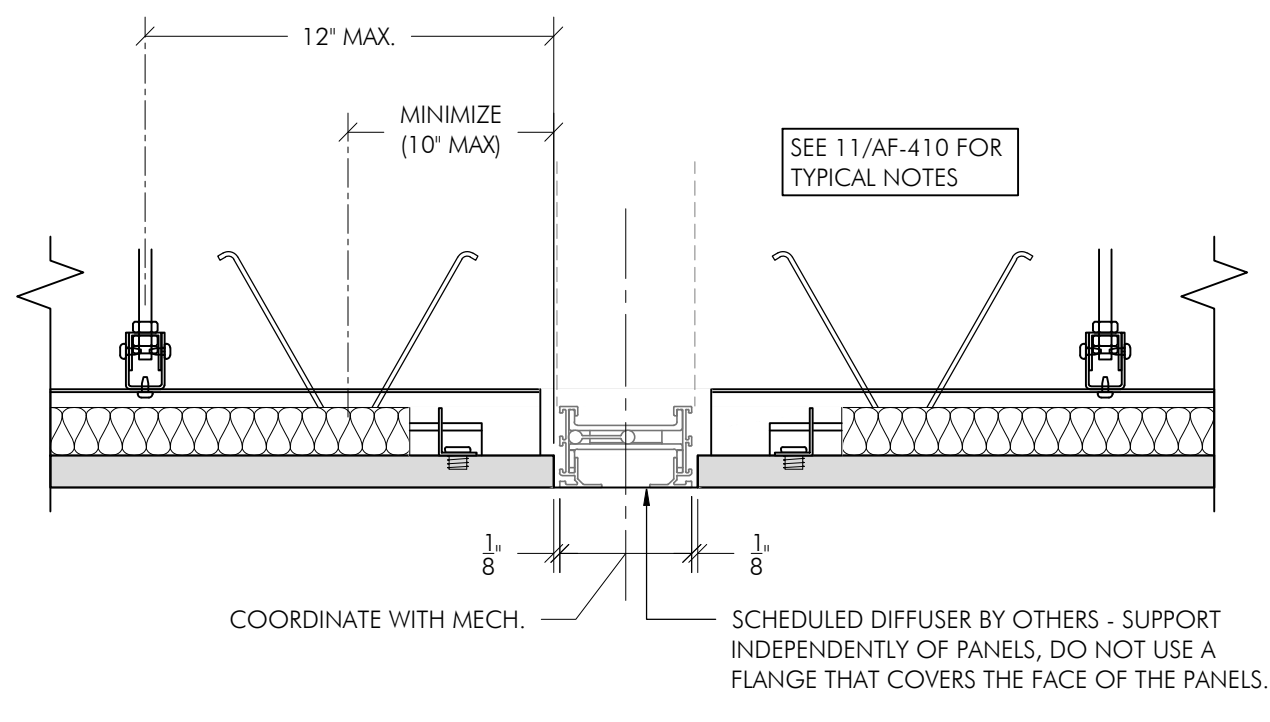
2 TYPICAL SECTION DETAIL - TRANSVERSE AT LIGHT  
SCALE: 3"=1'-0"  
REF: TYPICAL



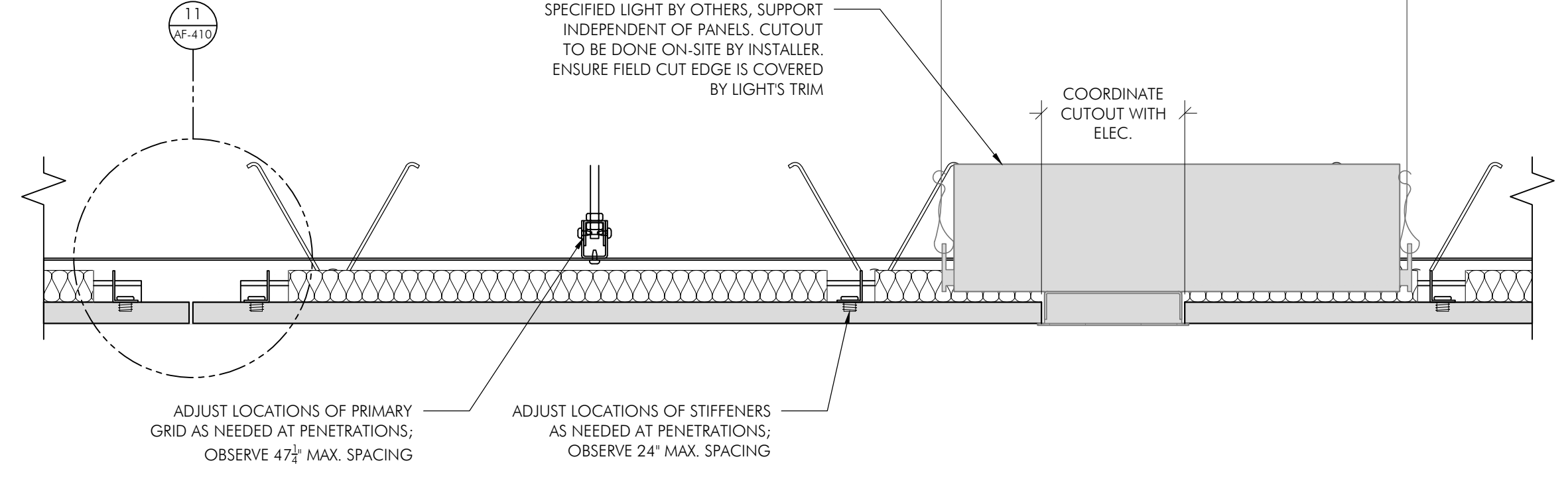
3 TRANSVERSE SECTION @ LINEAR LIGHT  
SCALE: 3"=1'-0"  
REF: TYPICAL



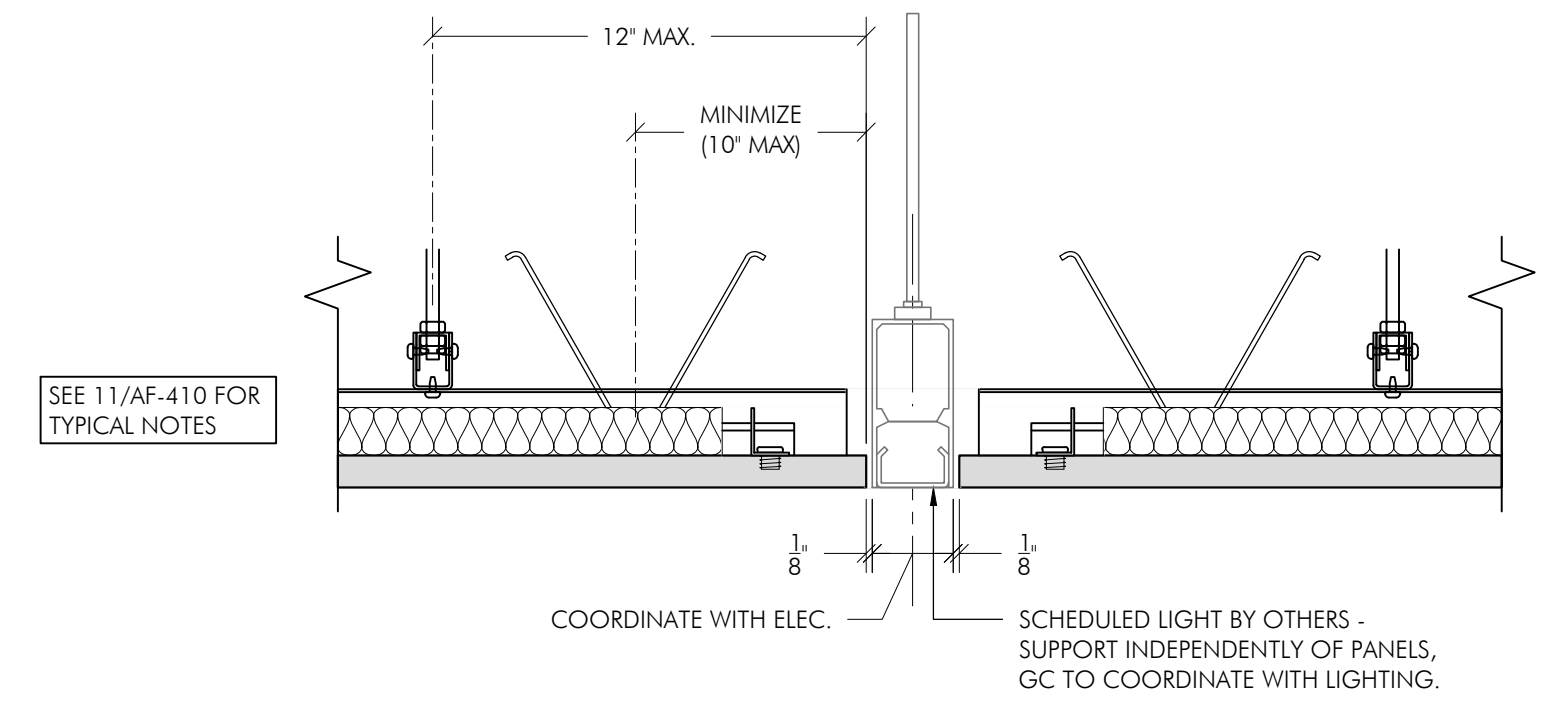
4 FIXED PANEL SECTION DETAIL - TRANSVERSE  
SCALE: 3"=1'-0"  
REF:



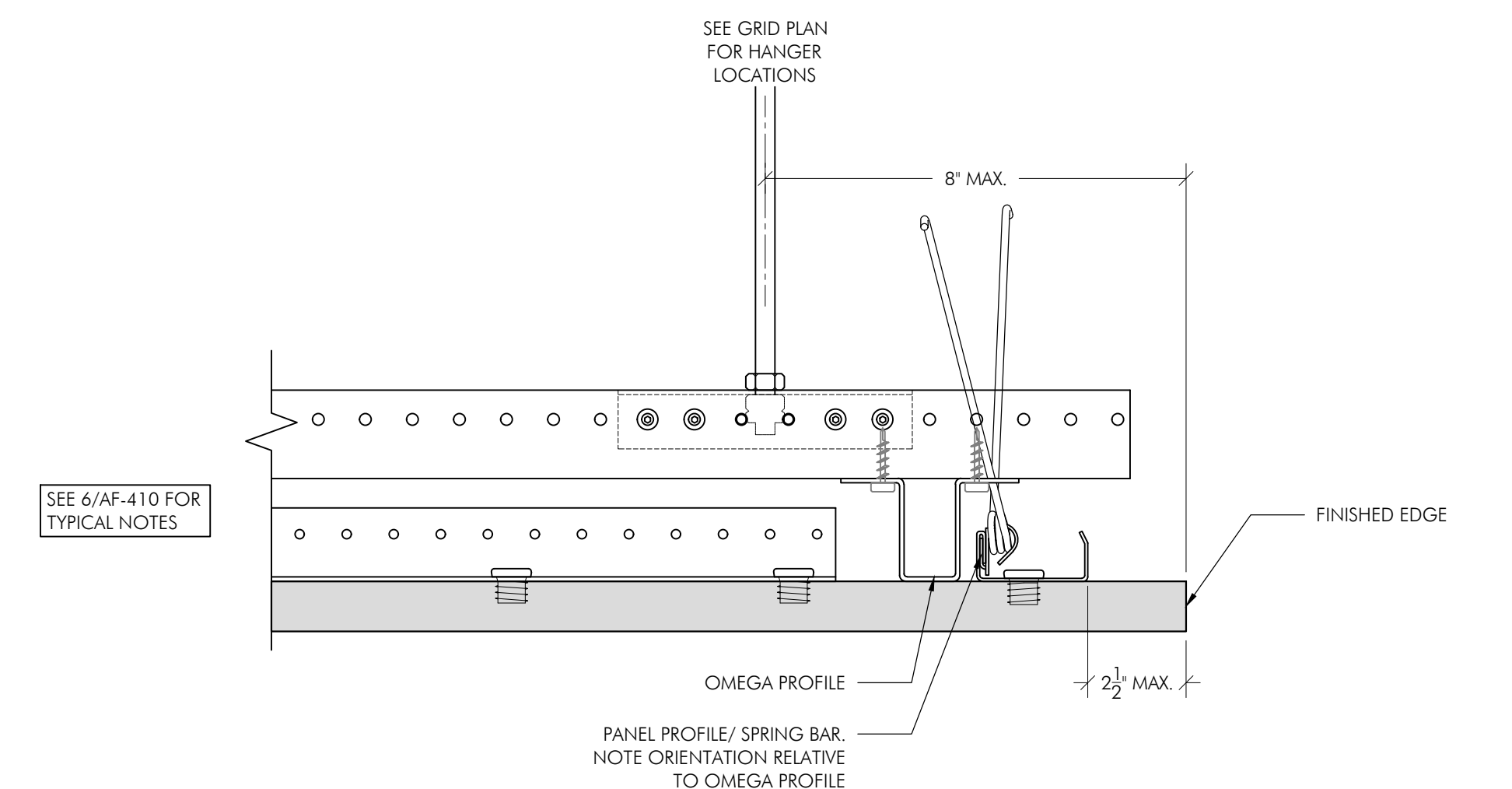
5 LINEAR DEVICE ALONG WIDTH  
SCALE: 3"=1'-0"  
REF: TYPICAL



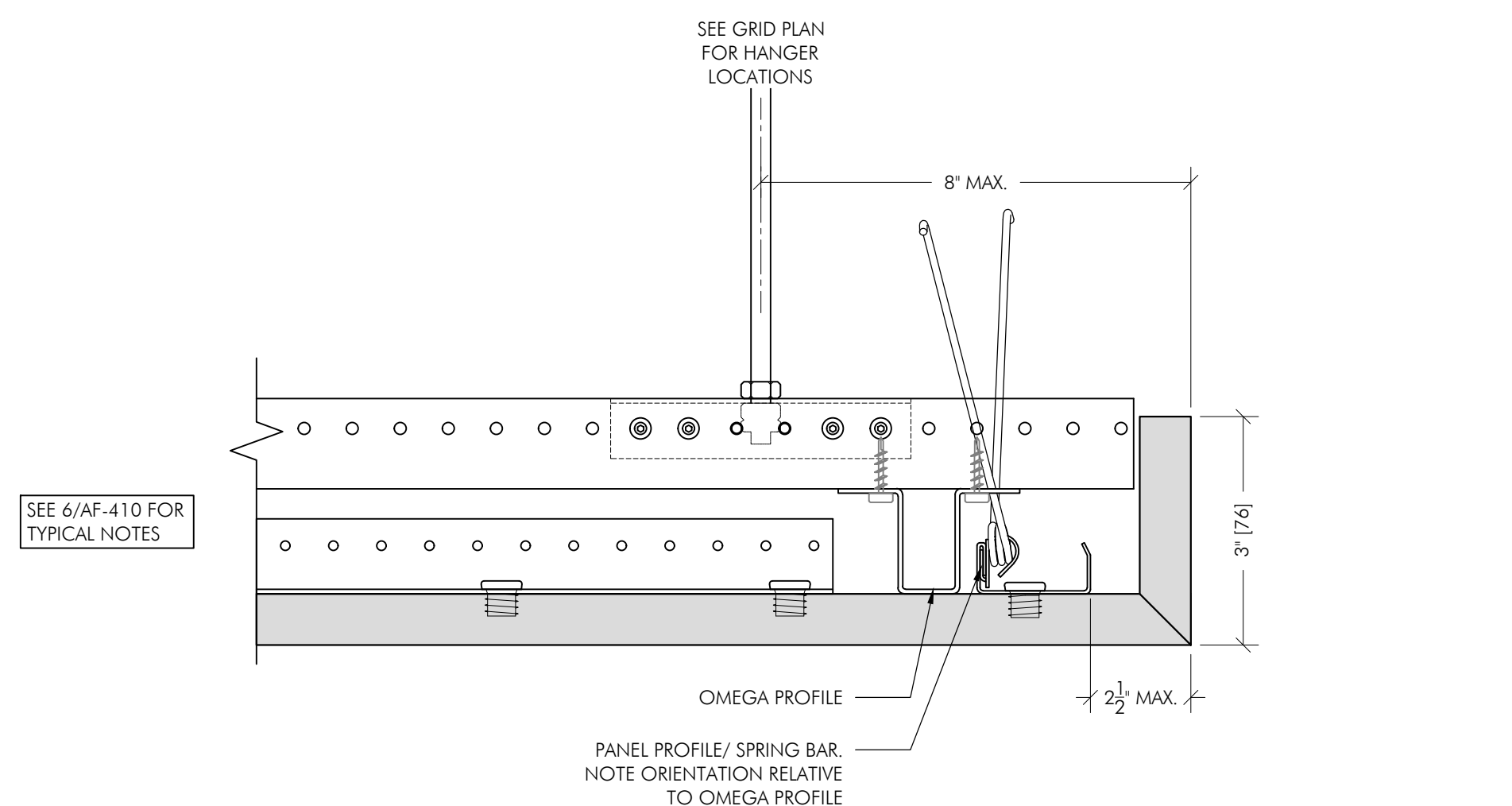
6 TYPICAL SECTION DETAIL - LONGITUDINAL AT LIGHT  
SCALE: 3"=1'-0"  
REF: TYPICAL



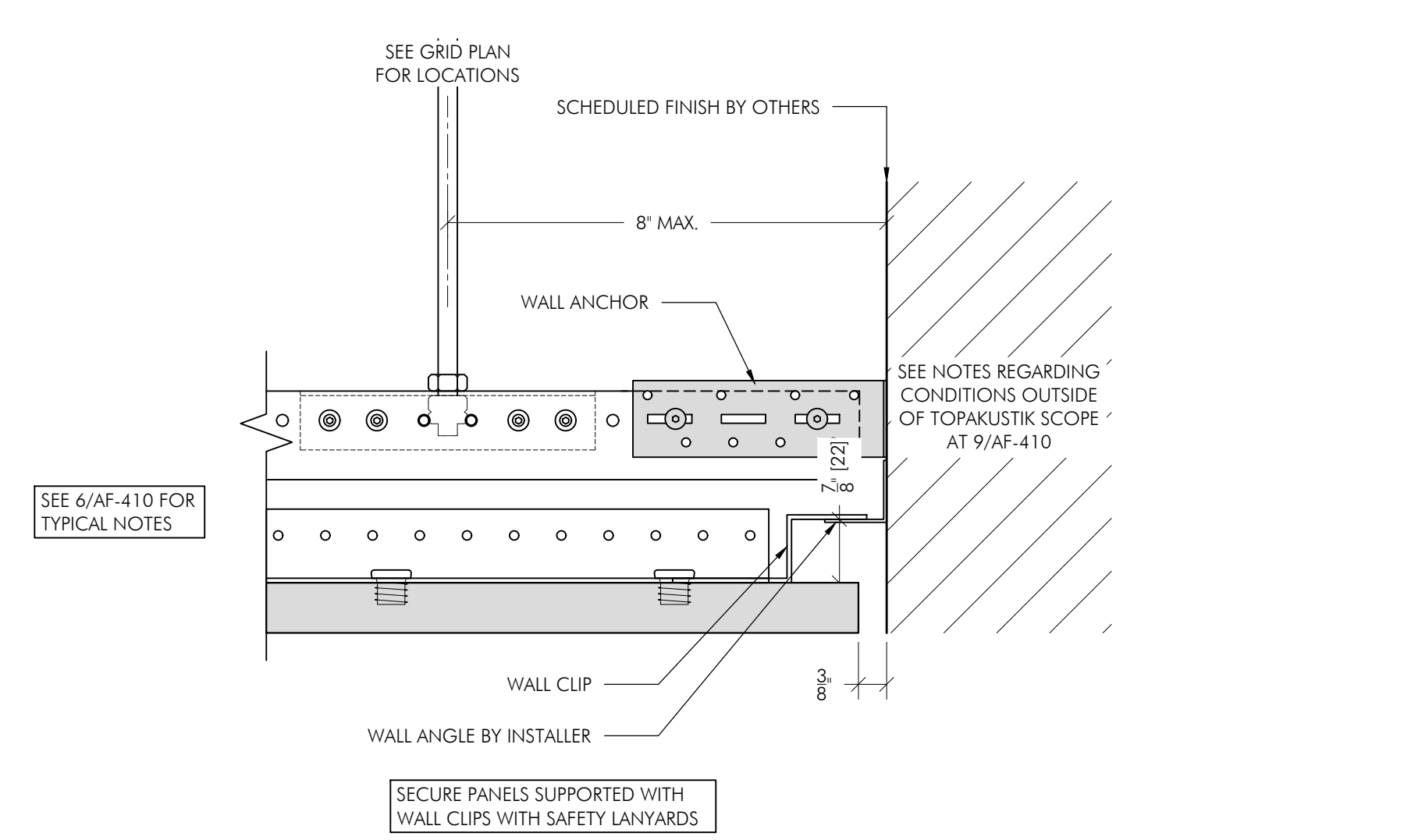
7 LONGITUDINAL SECTION @ LINEAR LIGHT  
SCALE: 3"=1'-0"  
REF: TYPICAL



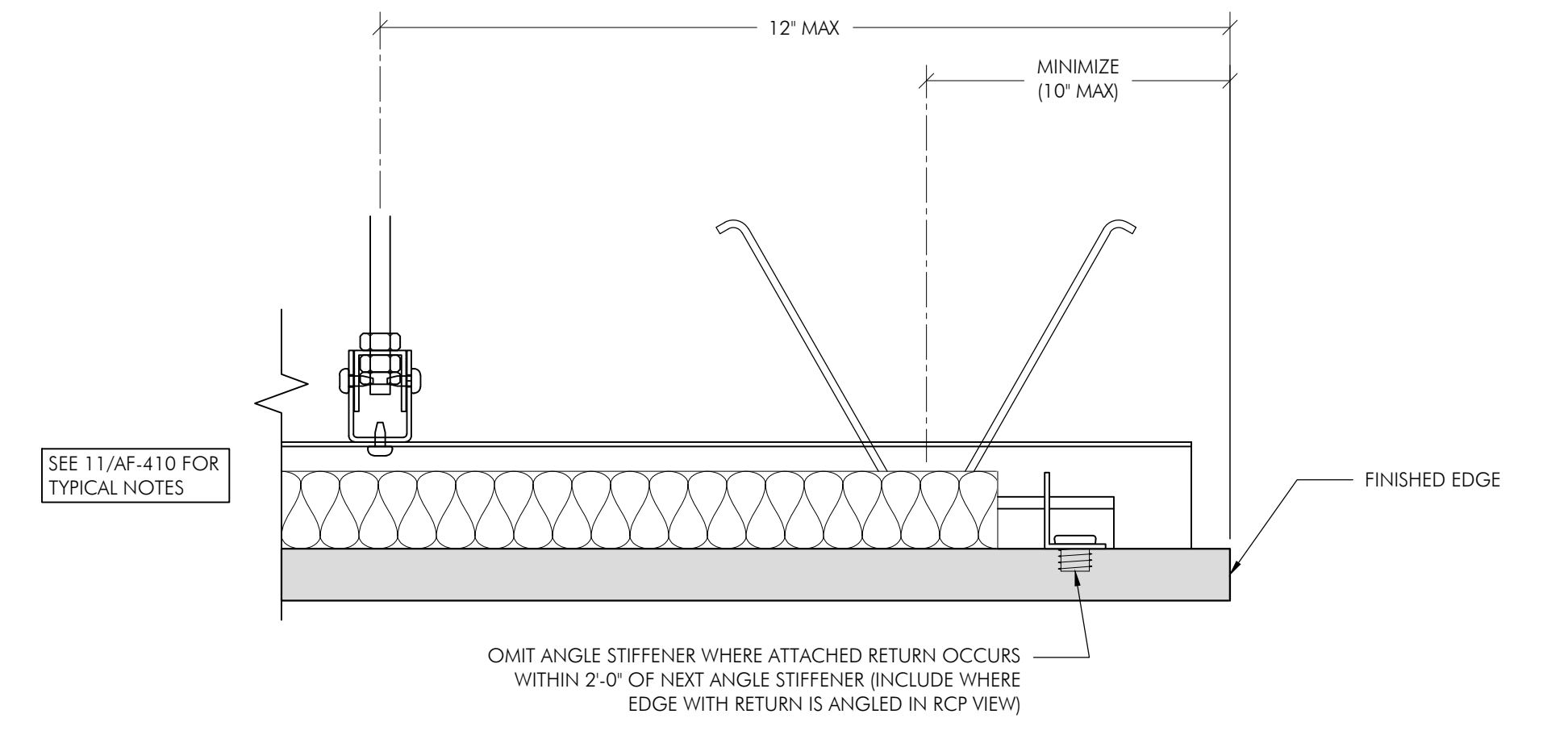
9 TRANSVERSE SECTION AT FINISHED EDGE  
SCALE: 6"=1'-0"  
REF:



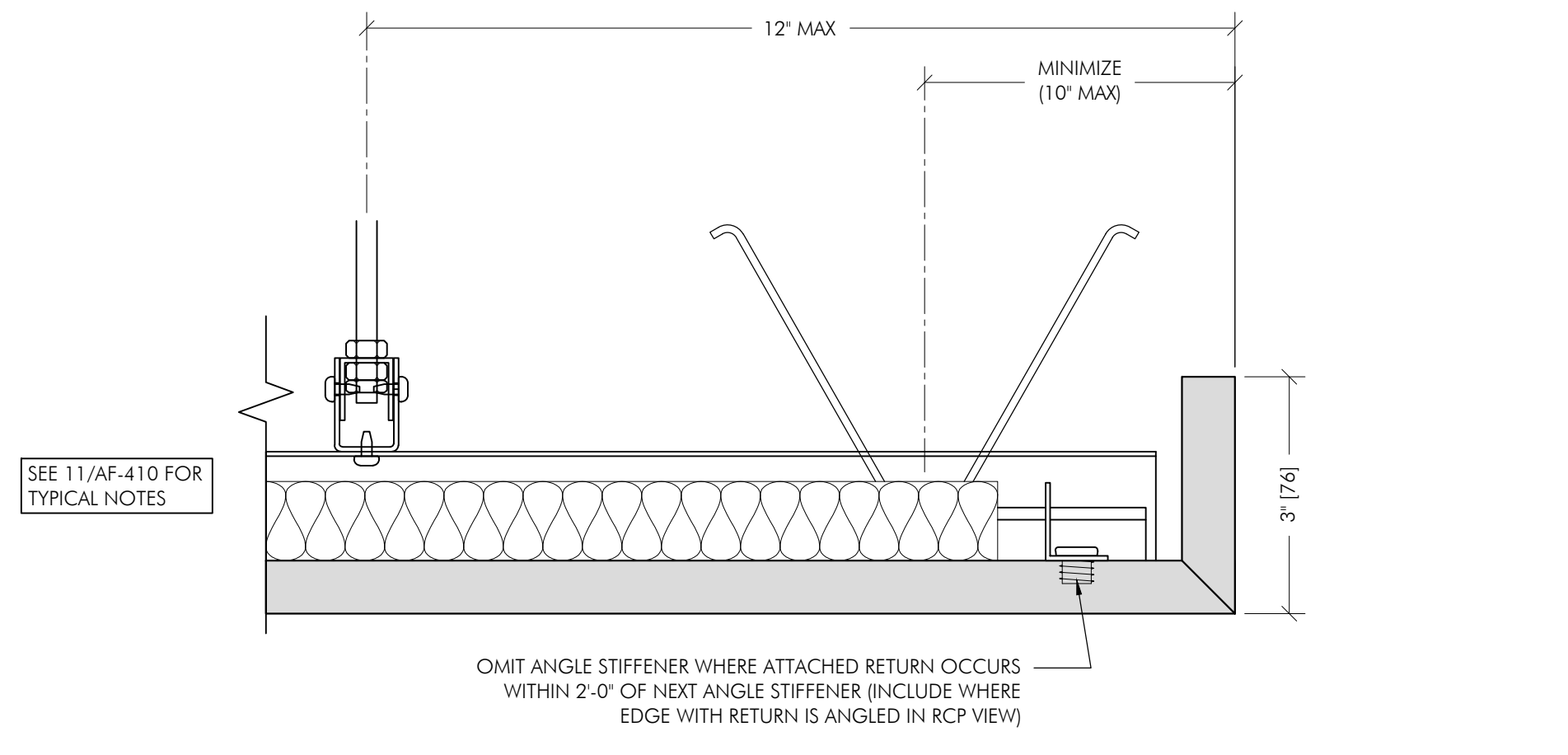
10 TRANSVERSE SECTION AT RETURN  
SCALE: 6"=1'-0"  
REF:



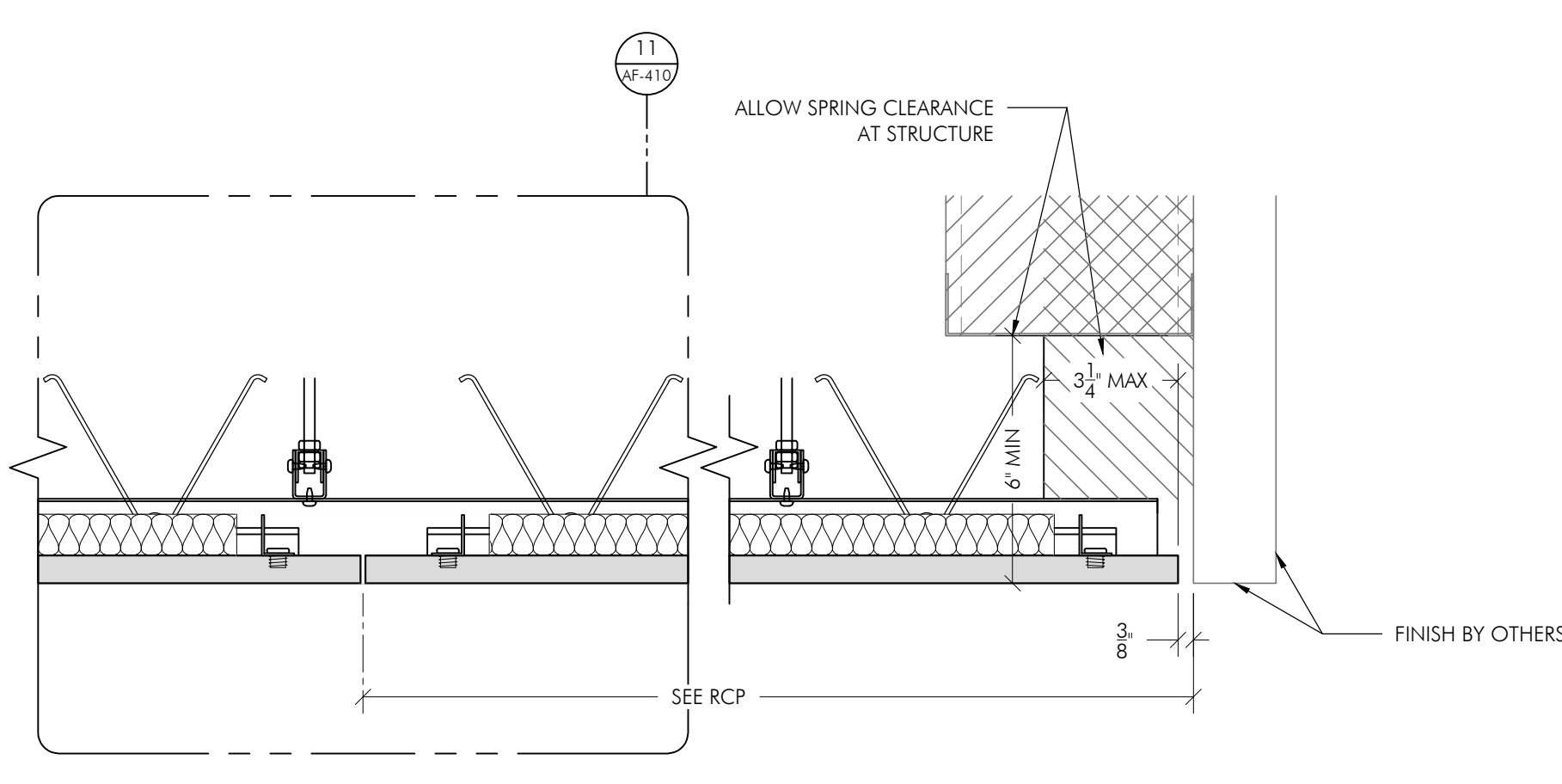
11 TRANSVERSE SECTION @ PERIMETER  
SCALE: 6"=1'-0"  
REF: TYPICAL



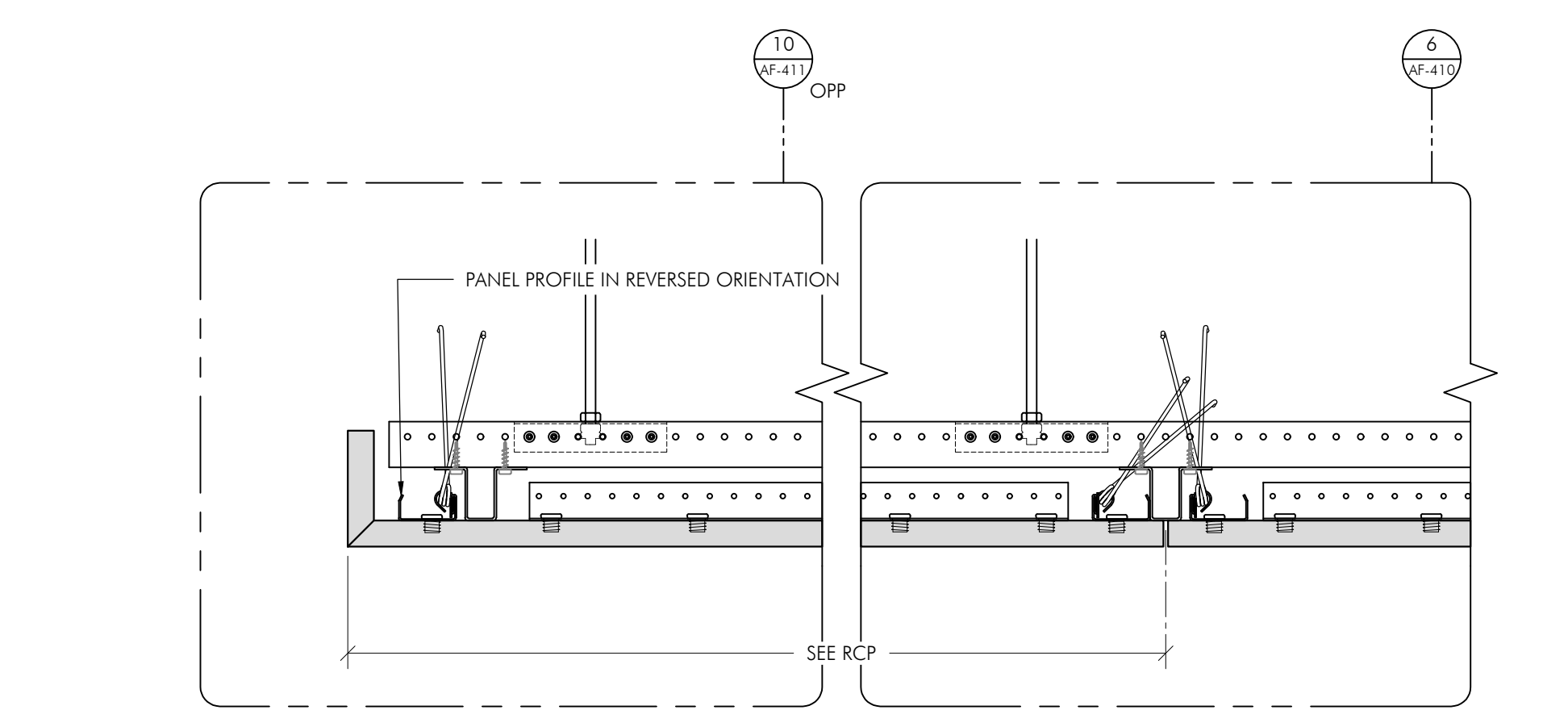
13 LONGITUDINAL SECTION AT FINISHED EDGE  
SCALE: 6"=1'-0"  
REF:



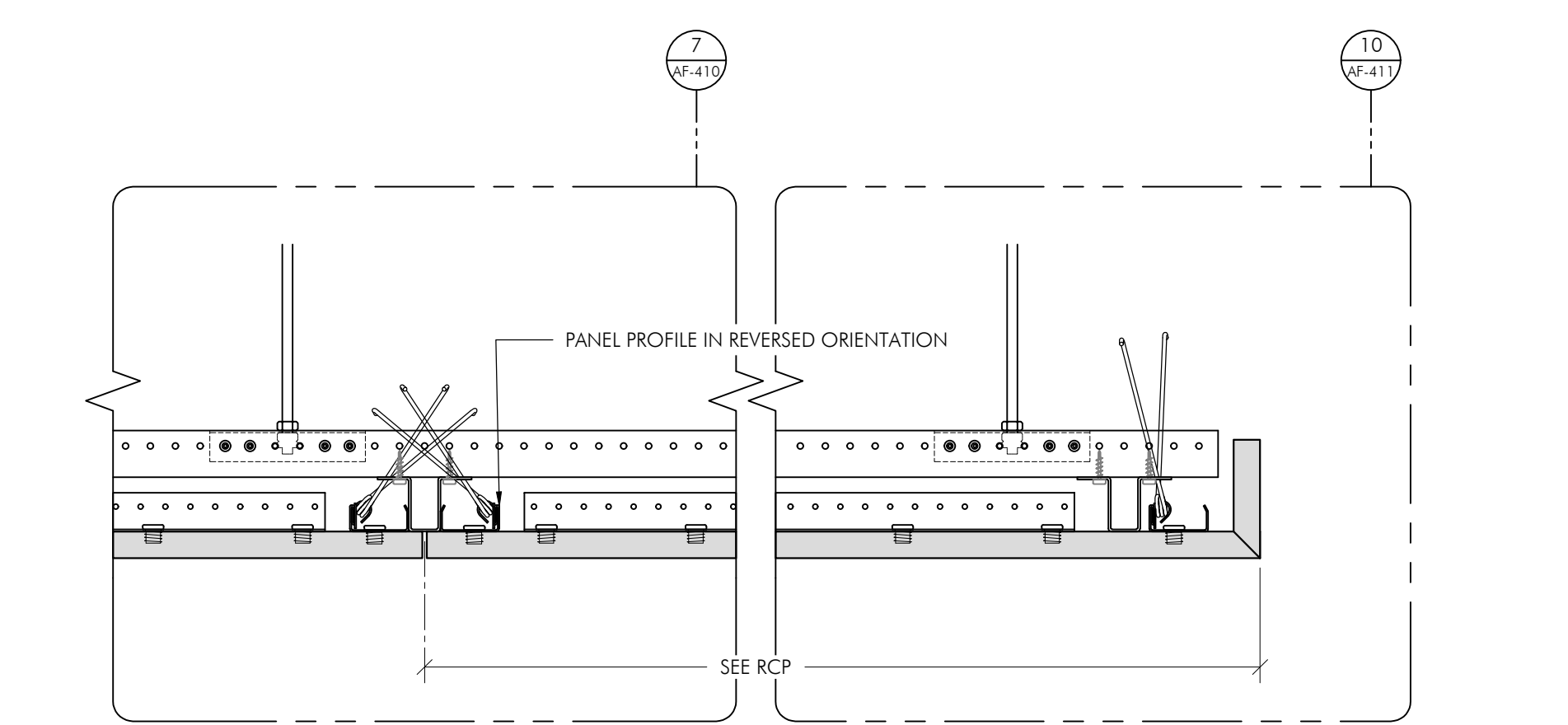
14 LONGITUDINAL SECTION AT RETURN  
SCALE: 6"=1'-0"  
REF:



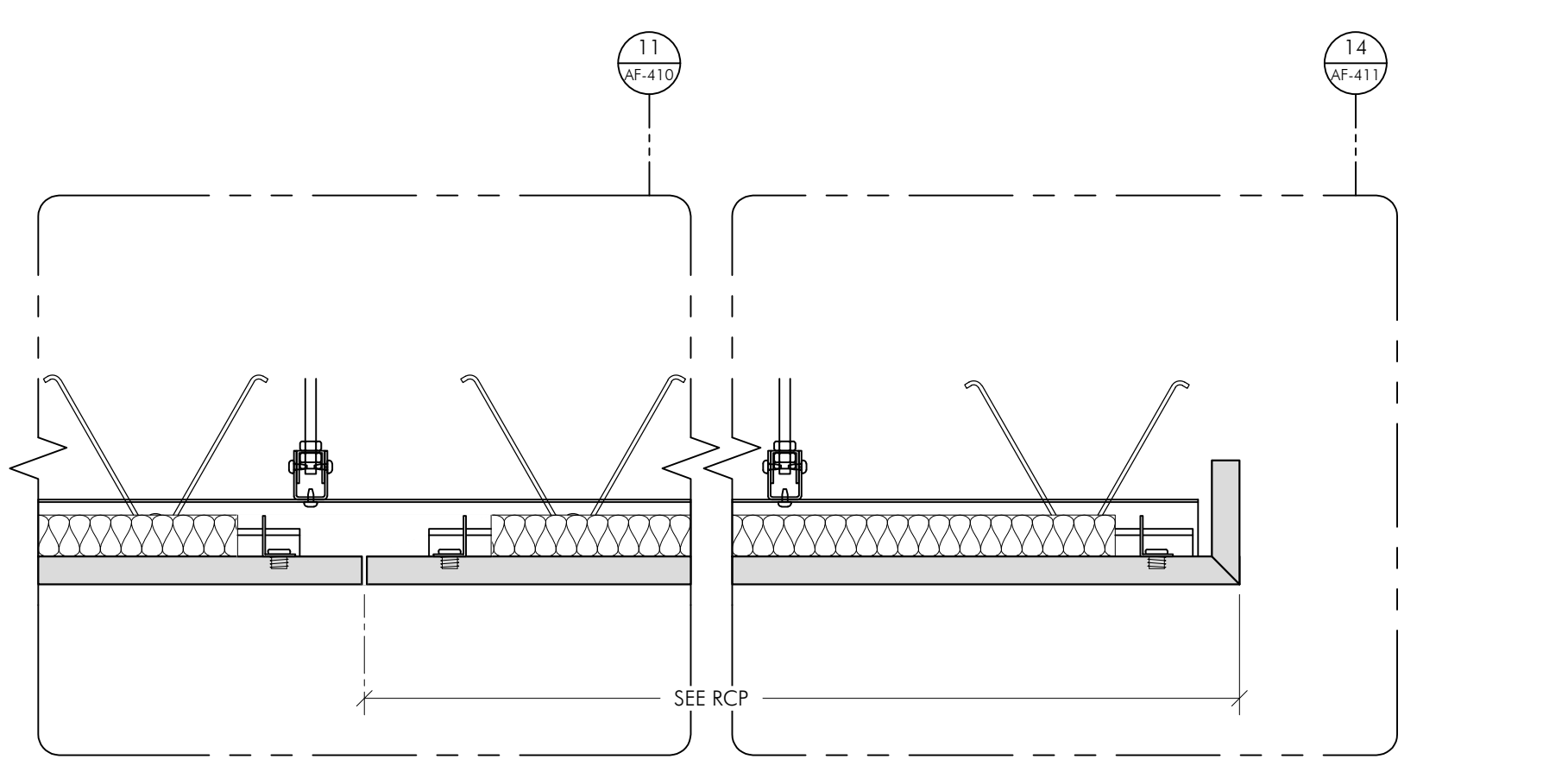
15 SPRING CLEARANCE  
SCALE: 3"=1'-0"  
REF:



17 TRANSVERSE SECTION @ RETURN  
SCALE: 3"=1'-0"  
REF:

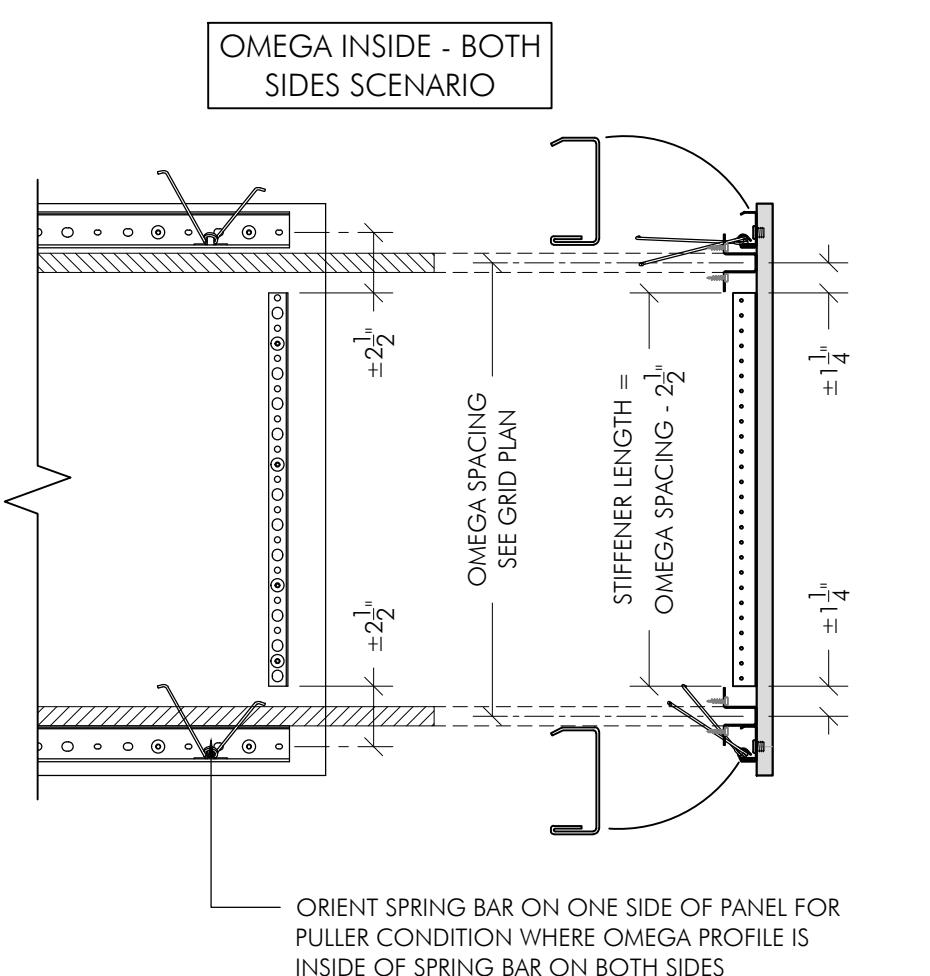
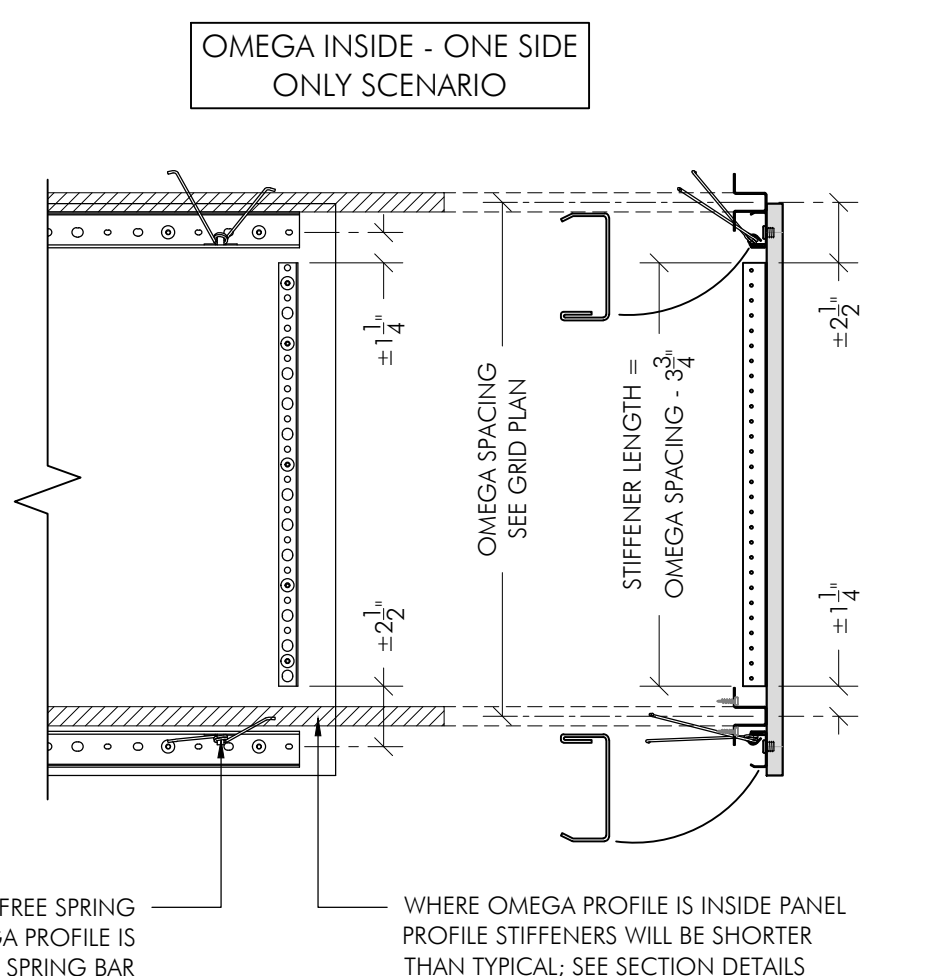
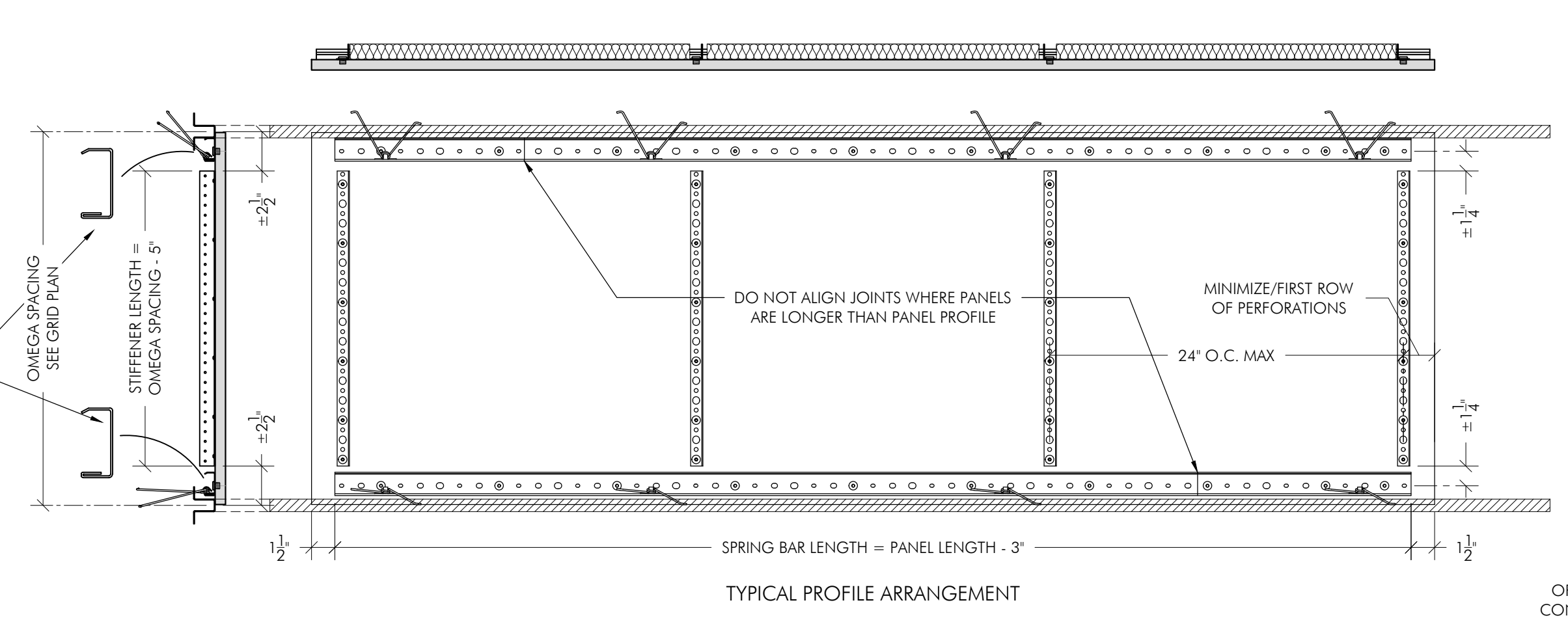
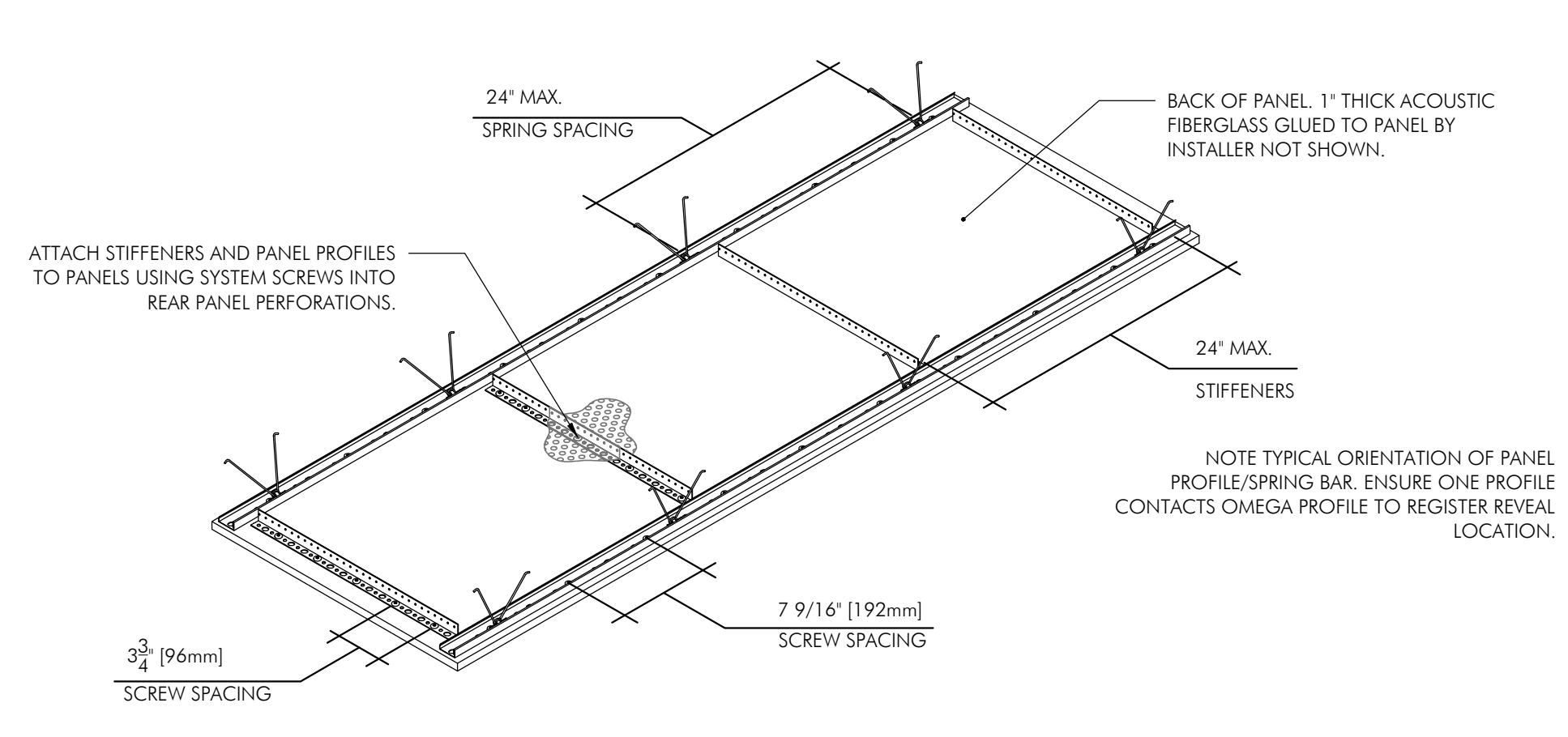


18 TRANSVERSE SECTION @ RETURN  
SCALE: 3"=1'-0"  
REF:

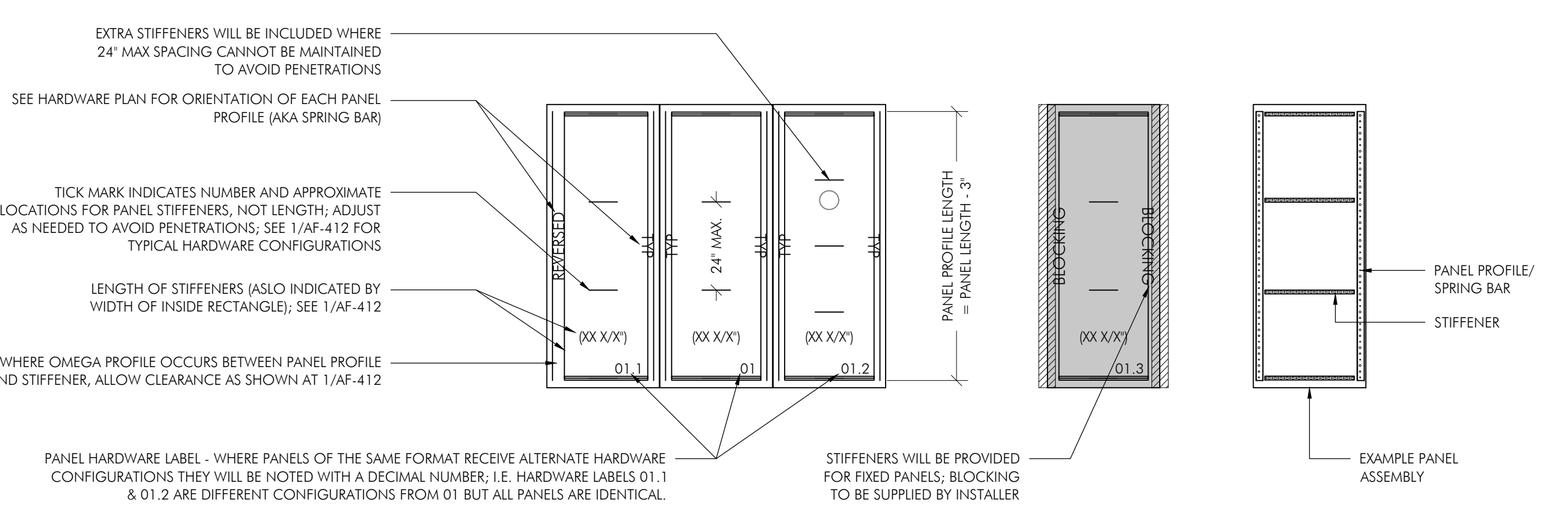


19 LONGITUDINAL SECTION @ RETURN  
SCALE: 3"=1'-0"  
REF:

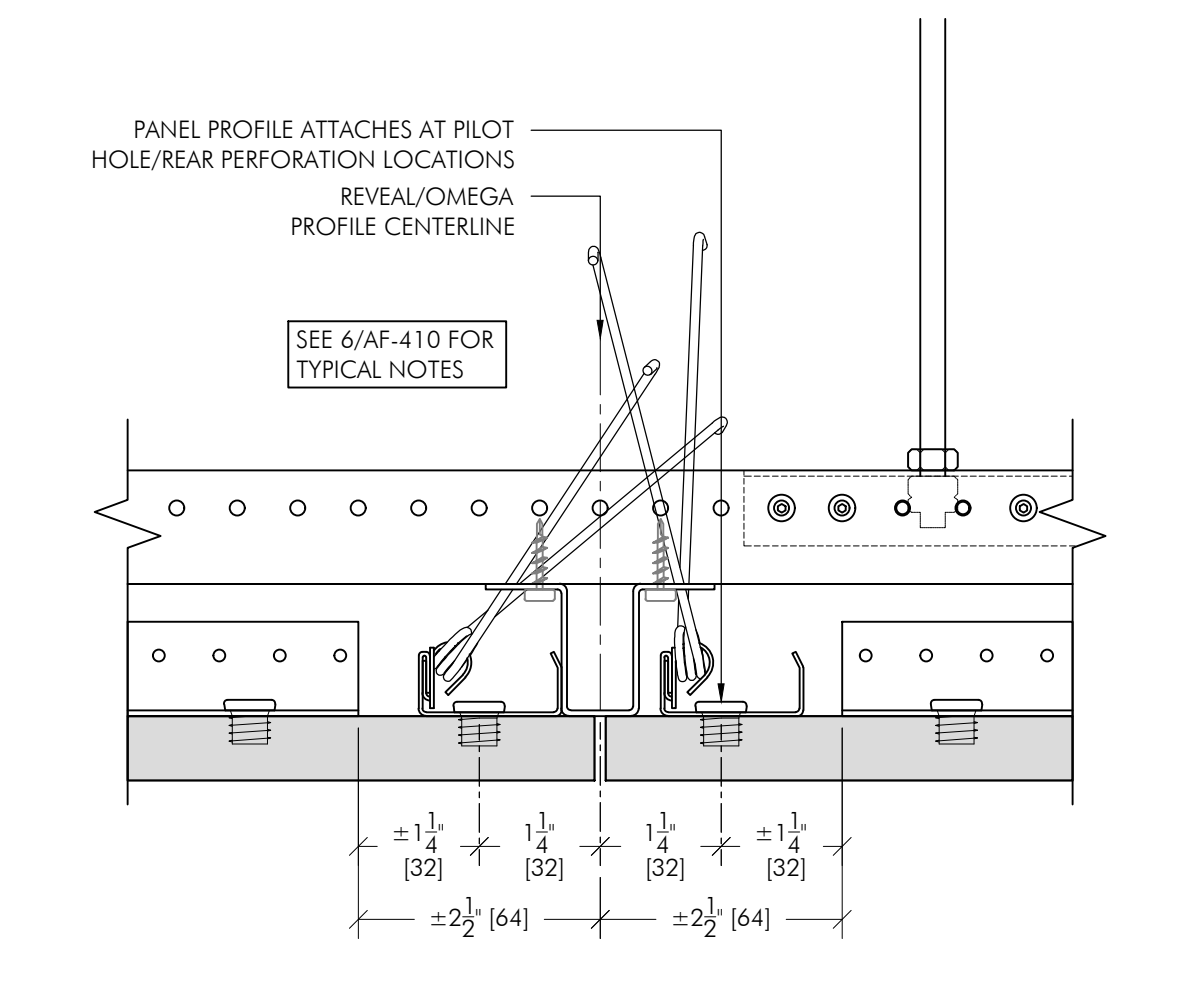
PROJECT: Template	TOP(A)K(U)S(T)I(K)
SHEET TITLE: S11 DETAILS 2	
REVISIONS:	ISSUE DATE: 10/31/2024
PROJ MGR:	SCALE: NOTED
DRAWN BY:	3 <sup>RD</sup> ANG. PROJ.
PRODUCTION TOLERANCE:	PAGE NO: 6/36
0.36 ± 1/32"	REV NO: 0
±1/32 PER 36" OF PRODUCT	AF-411



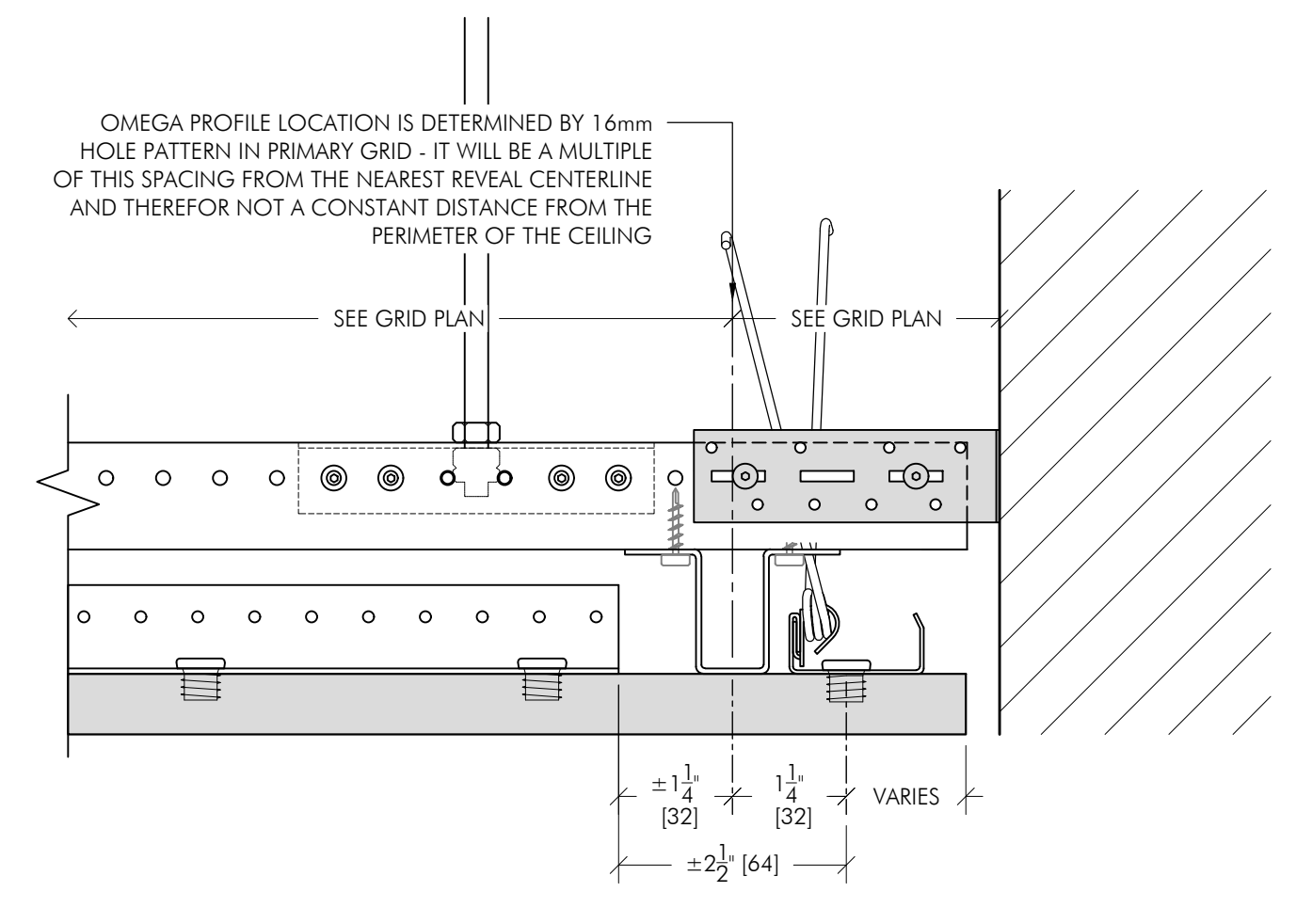
**1** TYPICAL PANEL PREPARATION  
SCALE: 1 1/2" = 1'-0"



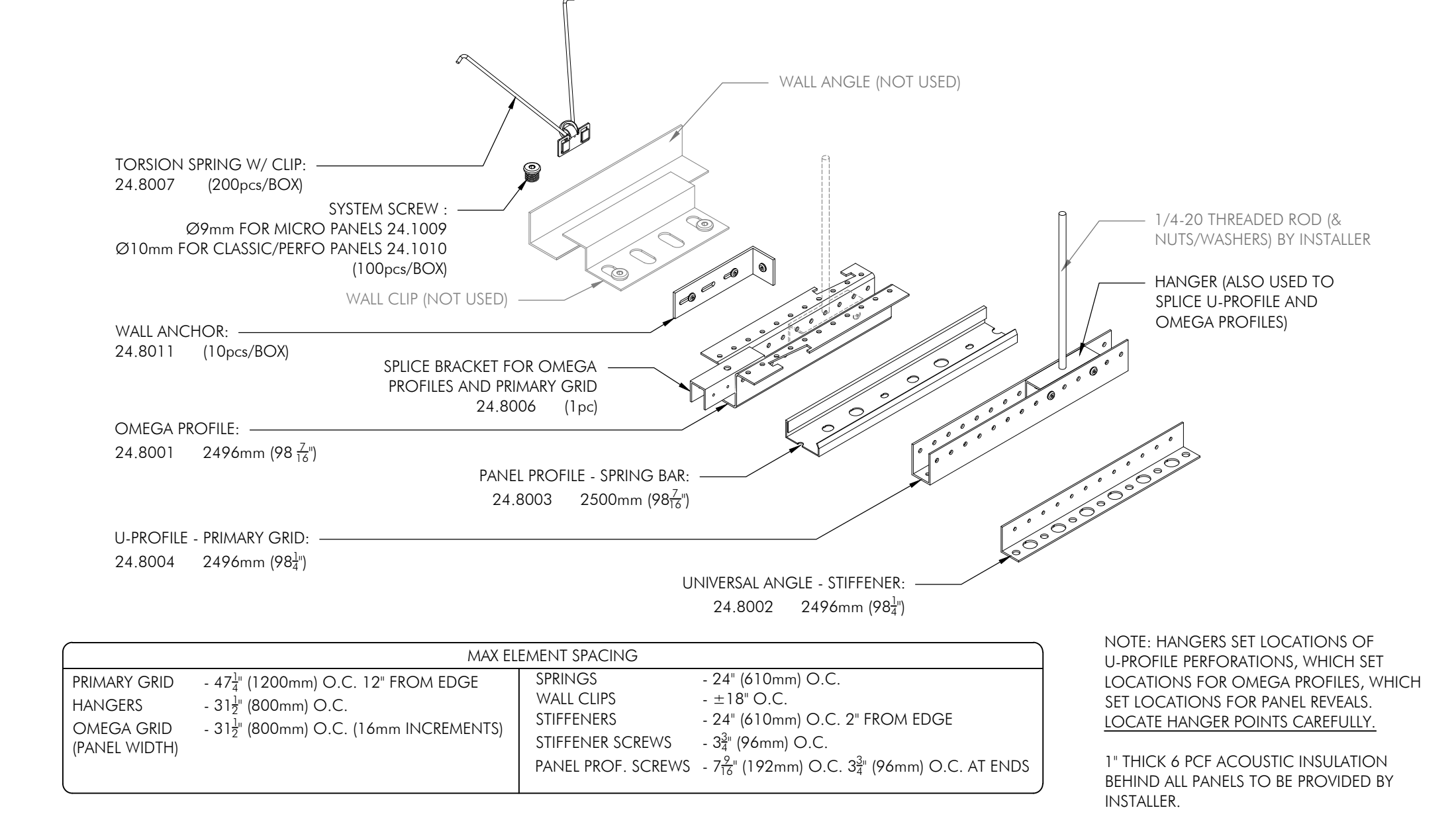
**2** PANEL HARDWARE DIAGRAM  
SCALE: NTS



**6** TYPICAL HARDWARE LOCATIONS  
SCALE: 6" = 1'-0"



**8** HARDWARE AT EDGE/LINEARE DEVICE  
SCALE: 6" = 1'-0"



**2** TOPAKUSTIK HARDWARE  
SCALE: NTS