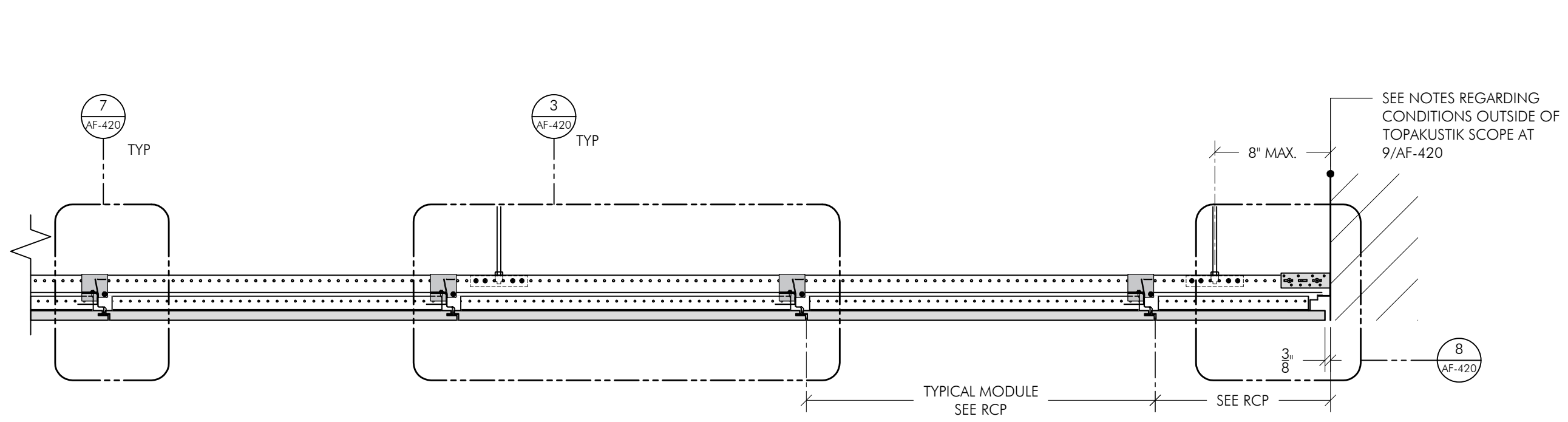


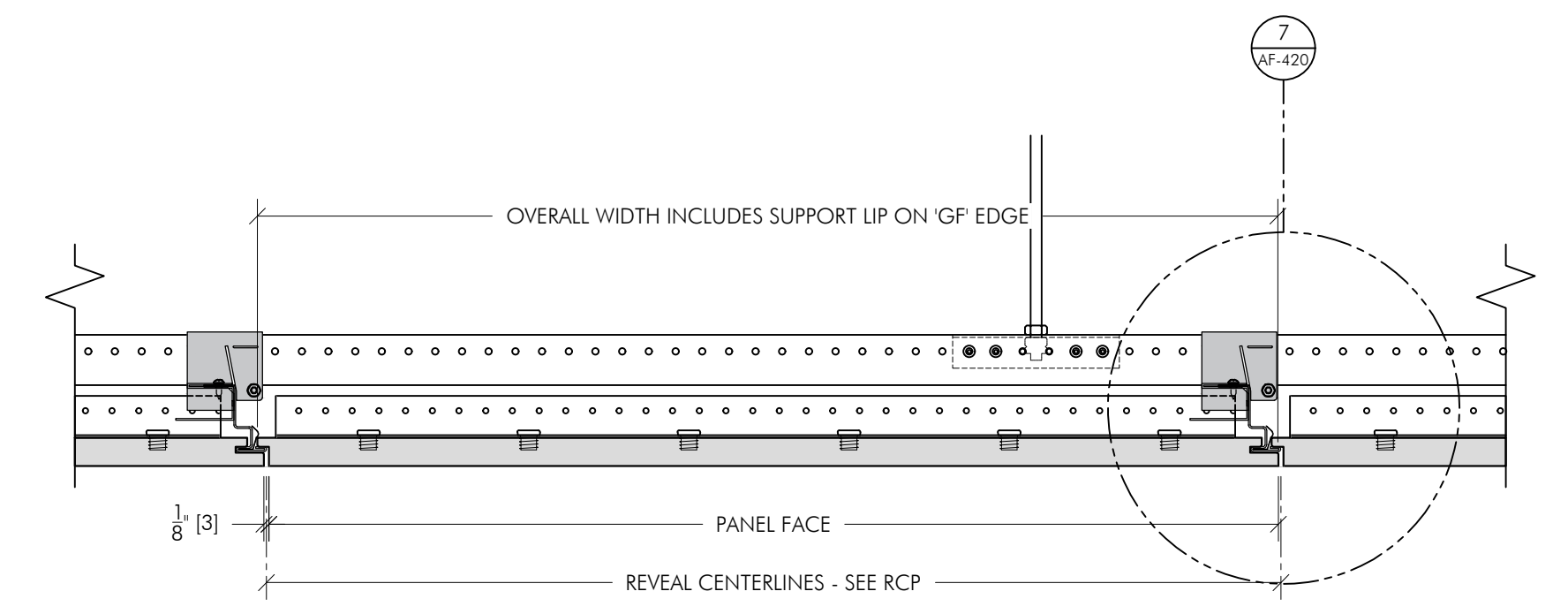
1 TYPICAL SECTION DETAIL - TRANSVERSE
SCALE: 1 1/2"=1'-0"

SYSTEM DETAIL - EXACT SECTION
MAY NOT OCCUR ON THIS PROJECT
REF:



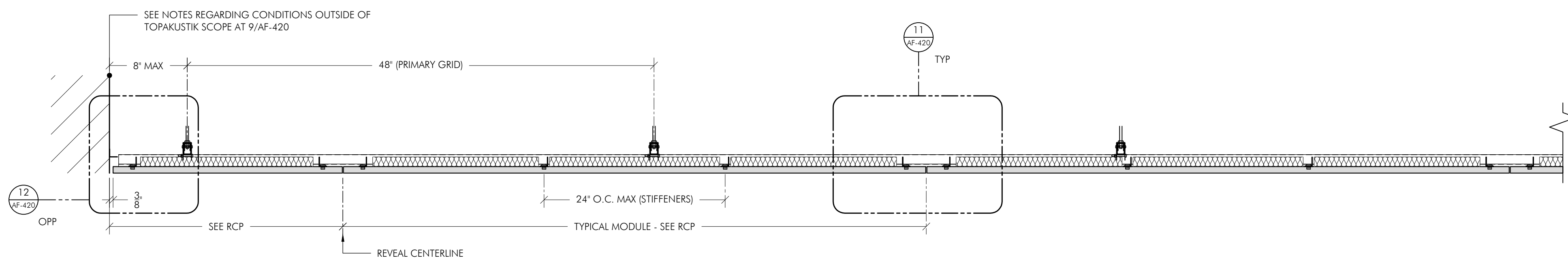
2 TYPICAL SECTION DETAIL - TRANSVERSE
SCALE: 1 1/2"=1'-0"

SYSTEM DETAIL - EXACT SECTION
MAY NOT OCCUR ON THIS PROJECT
REF:

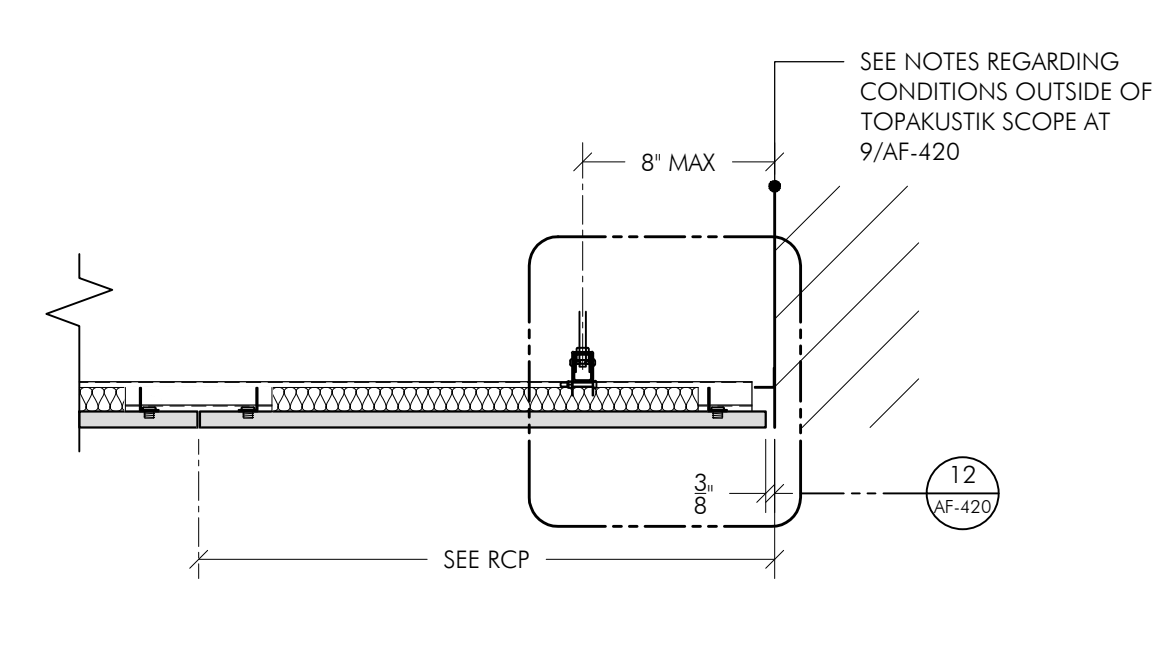


3 TYPICAL SECTION DETAIL - TRANSVERSE
SCALE: 3"=1'-0"

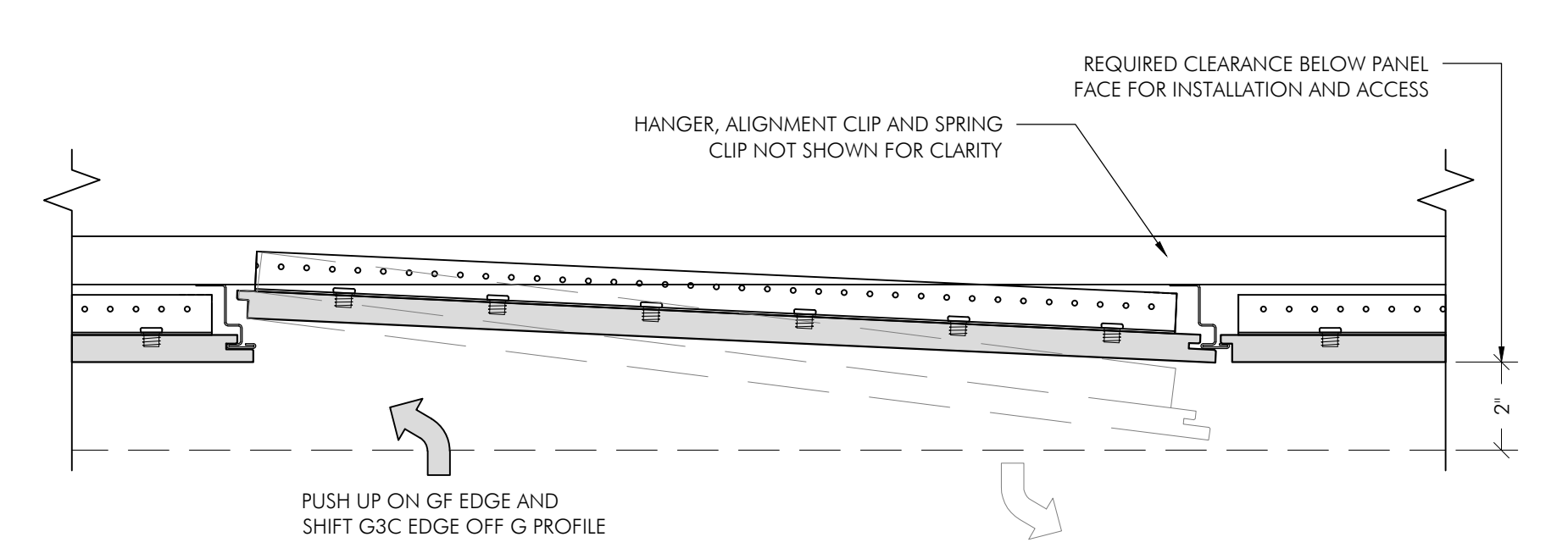
REF: 1/AF-420



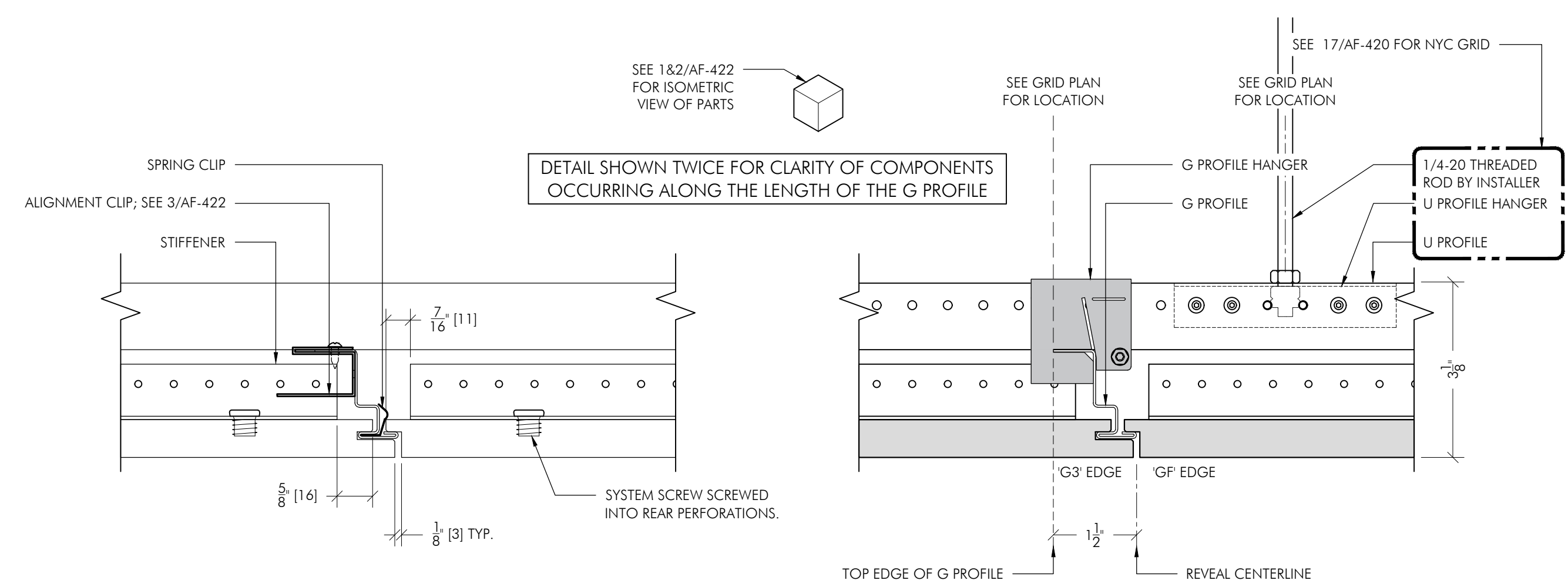
4 TYPICAL SECTION DETAIL - LONGITUDINAL
SCALE: 1 1/2"=1'-0"



5 PANEL ACCESS
SCALE: 3"=1'-0"

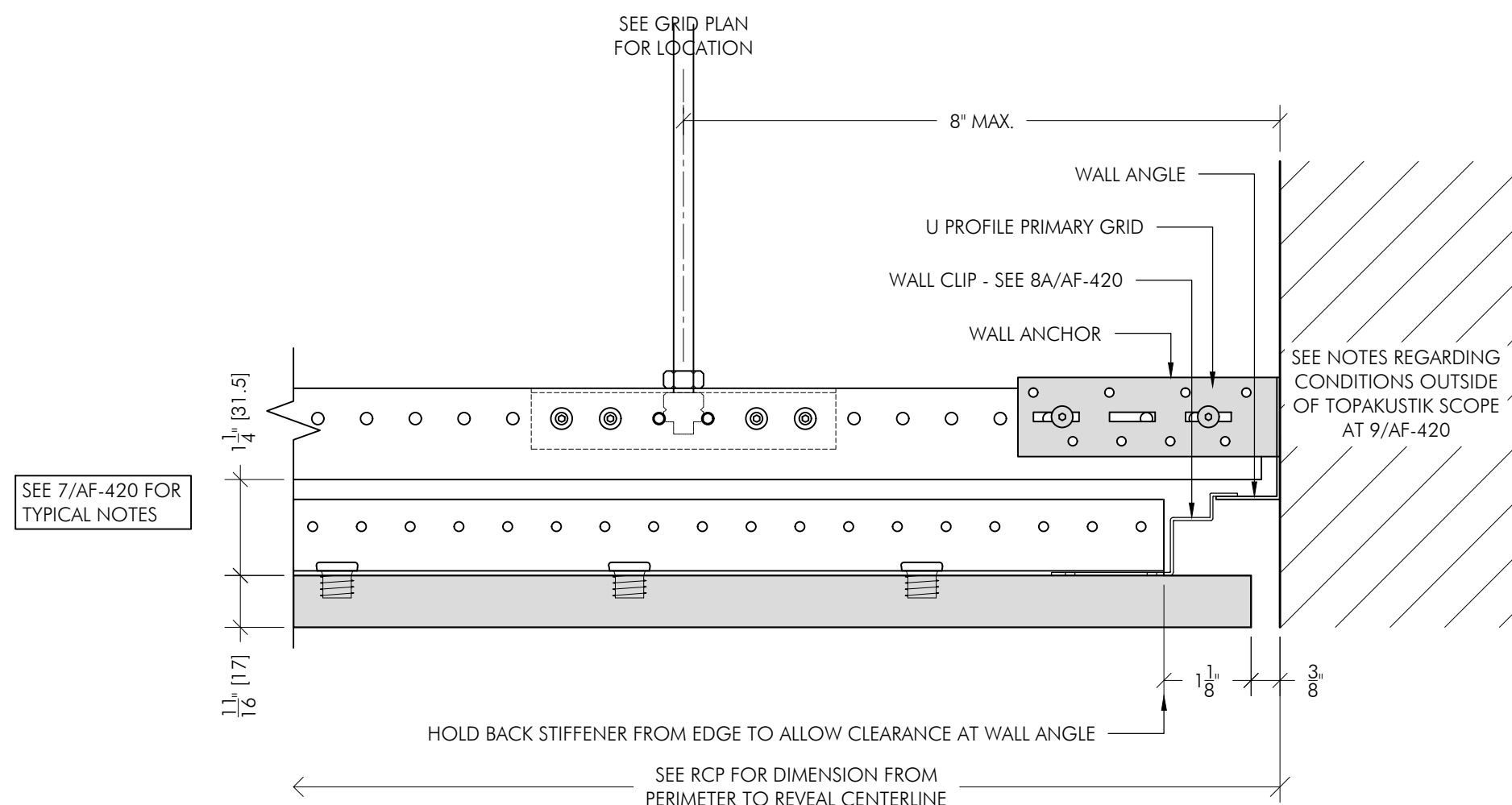


REF: TYPICAL



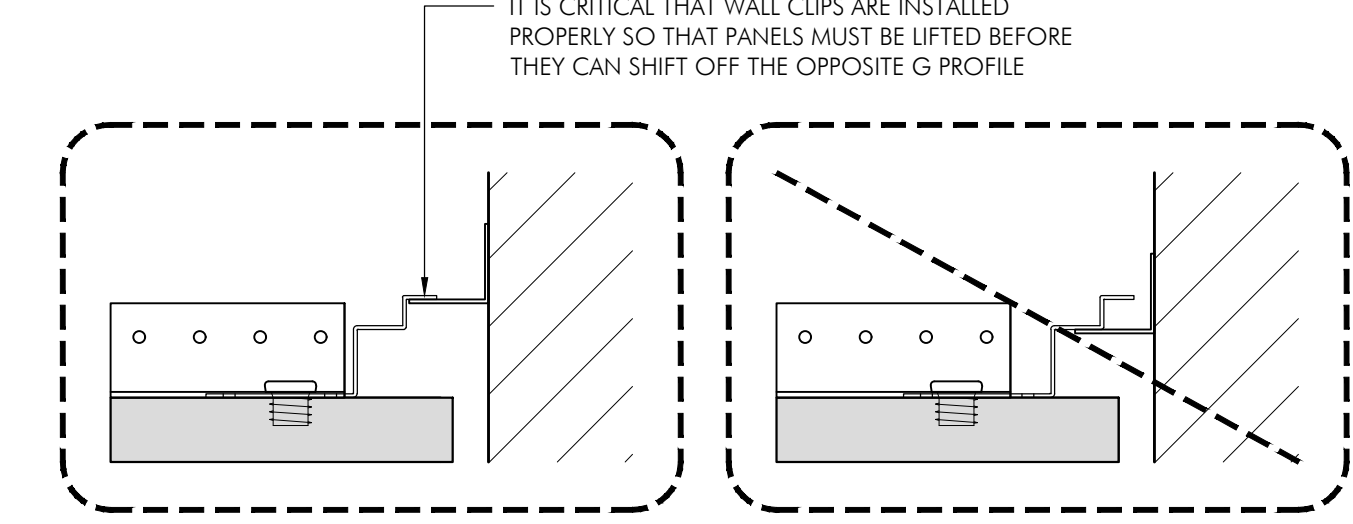
7 TRANSVERSE SECTION DETAIL AT REVEAL
SCALE: 6"=1'-0"

REF: 1/AF-420



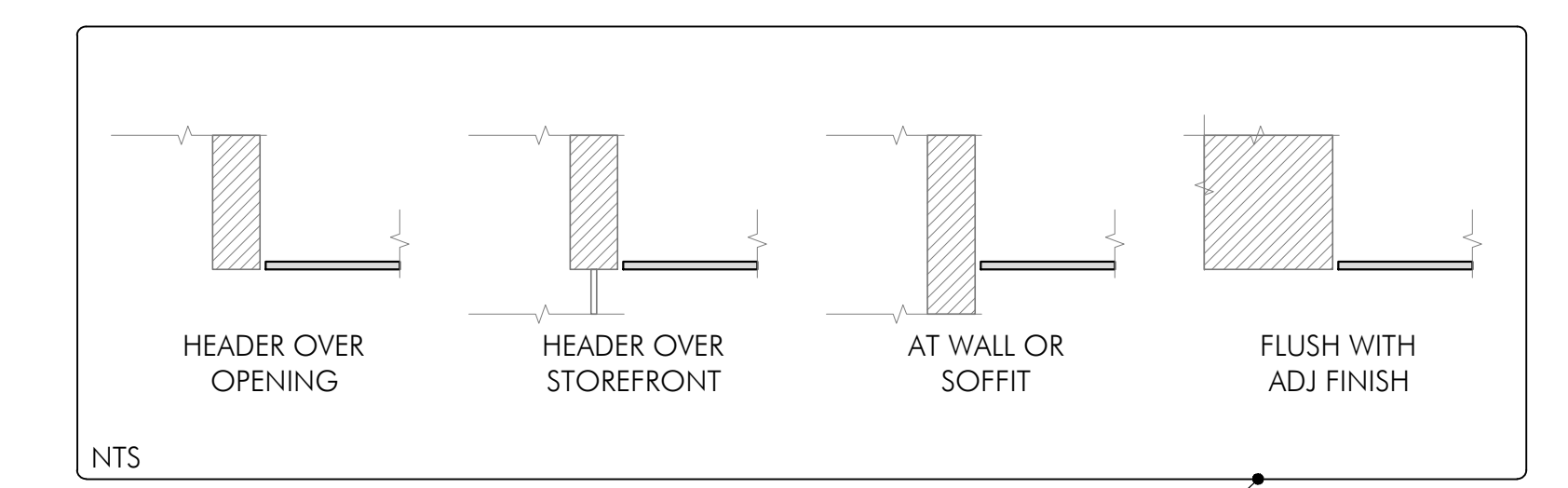
8 TRANSVERSE SECTION @ PERIMETER (TYP.)
SCALE: 6"=1'-0"

REF: 1/AF-420



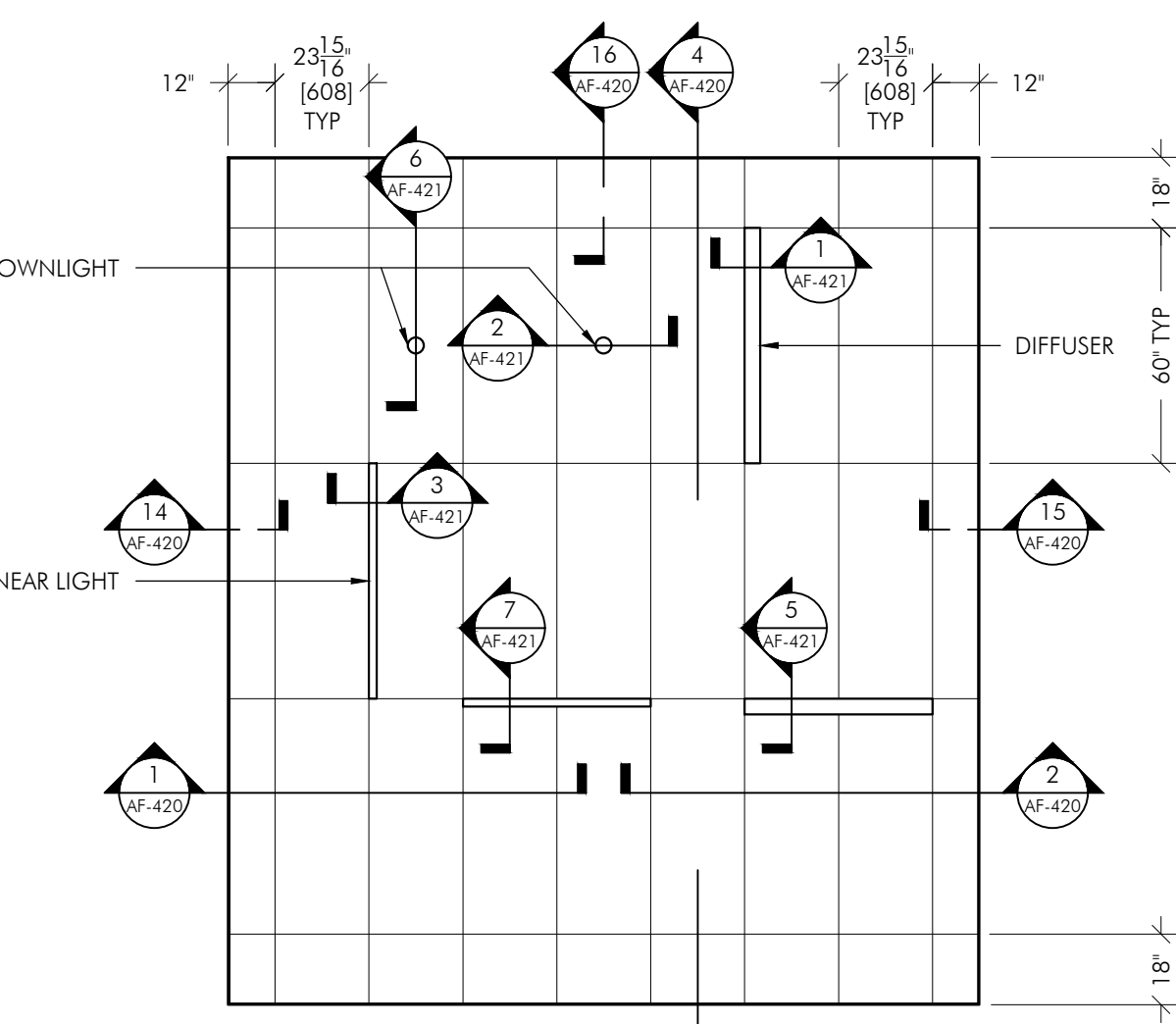
8A WALL CLIP SAFETY
SCALE: 6"=1'-0"

REF: 8/AF-420



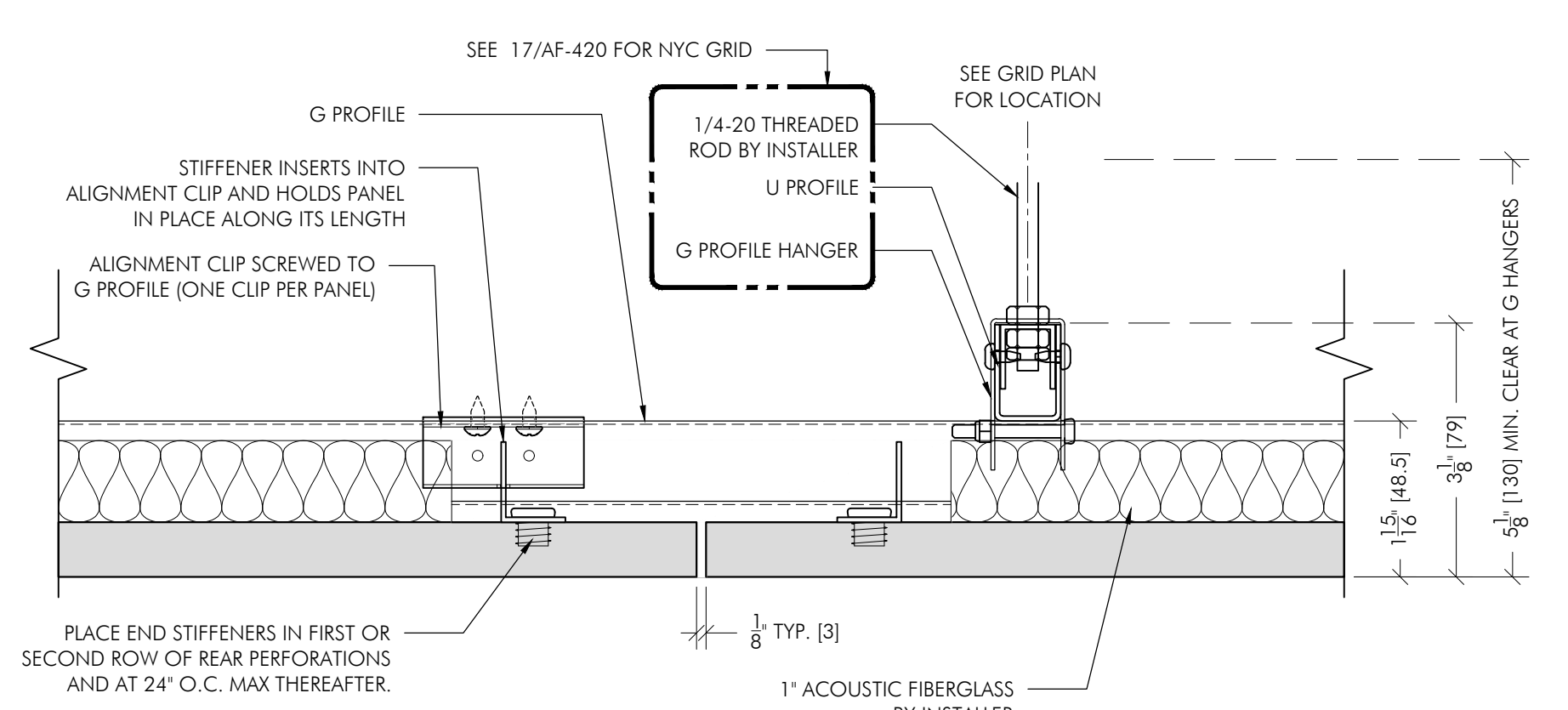
9 PERIMETER CONDITIONS
SCALE: 6"=1'-0"

REF: TYPICAL



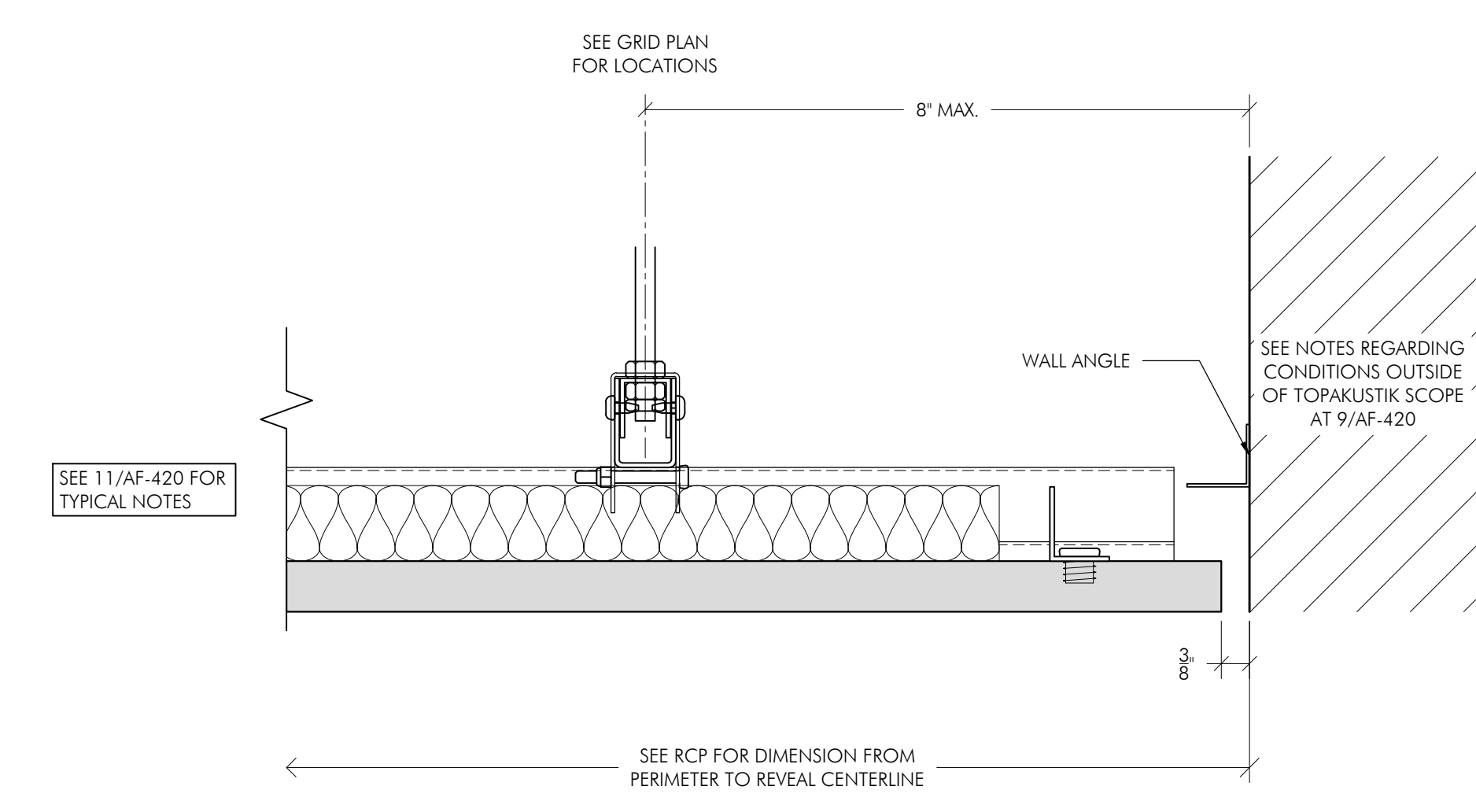
10 EXAMPLE RCP
SCALE: 1/4"=1'-0"

REF:



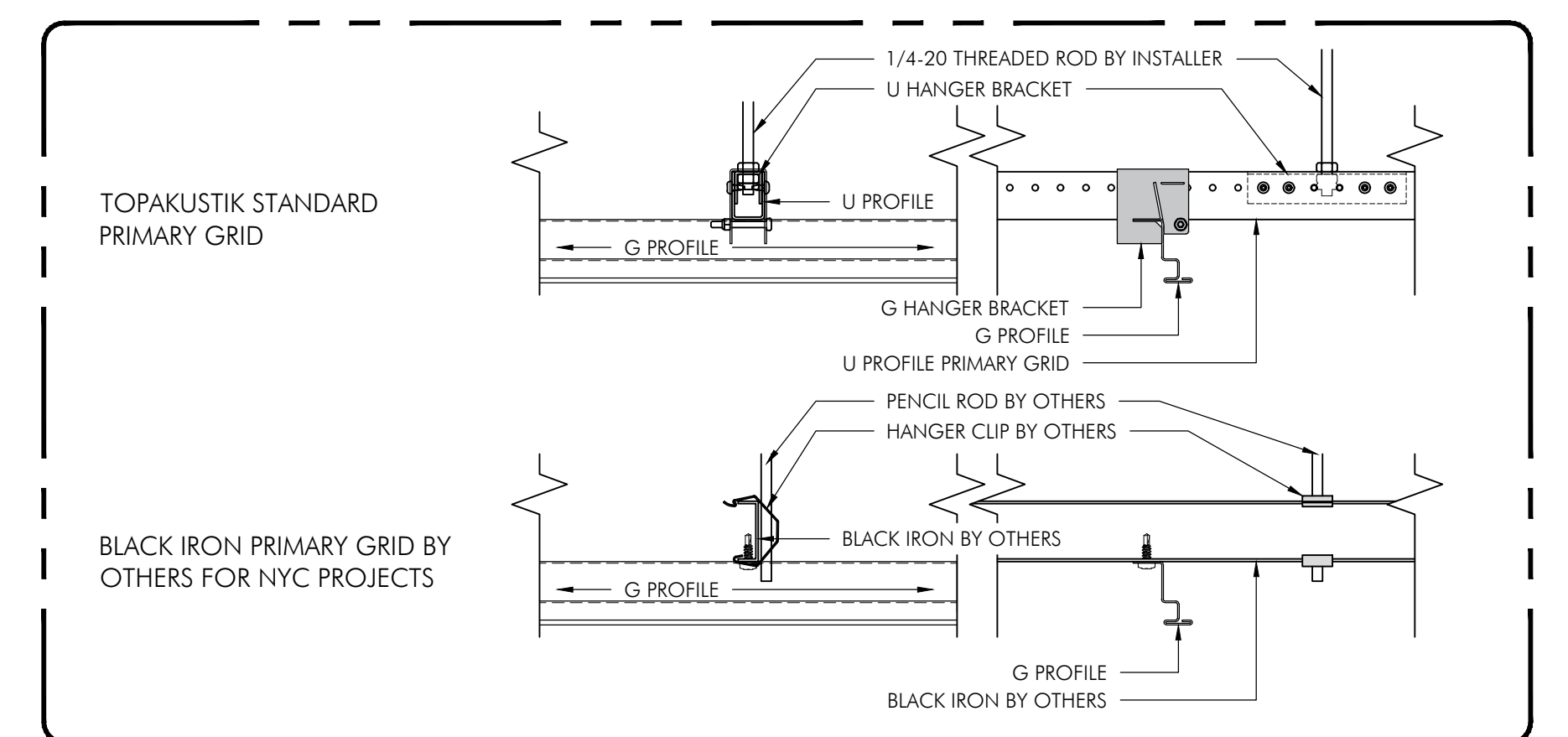
11 LONGITUDINAL SECTION @ REVEAL
SCALE: 6"=1'-0"

REF: 3/AF-420



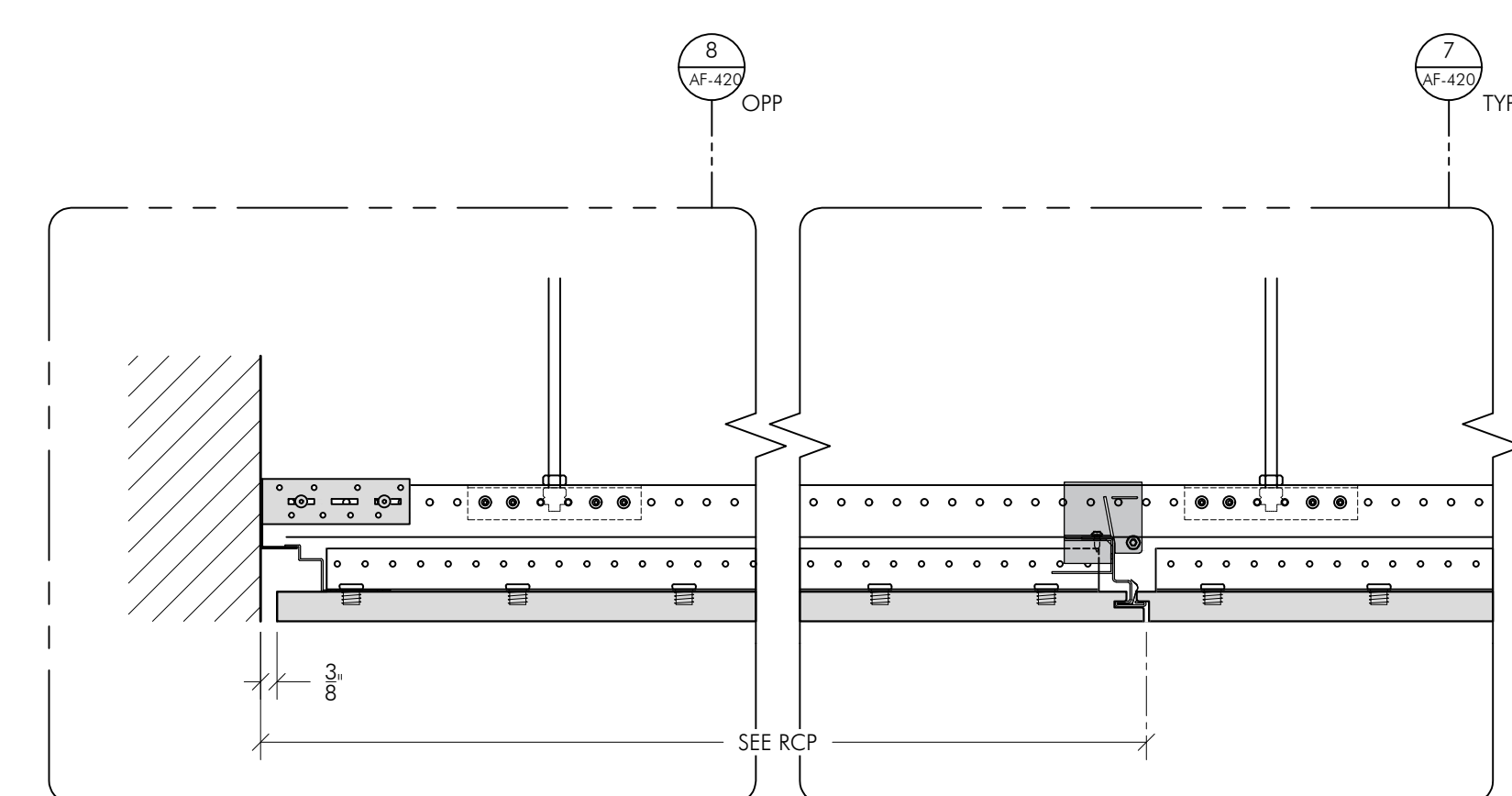
12 LONGITUDINAL SECTION @ PERIMETER
SCALE: 6"=1'-0"

REF: 3/AF-420



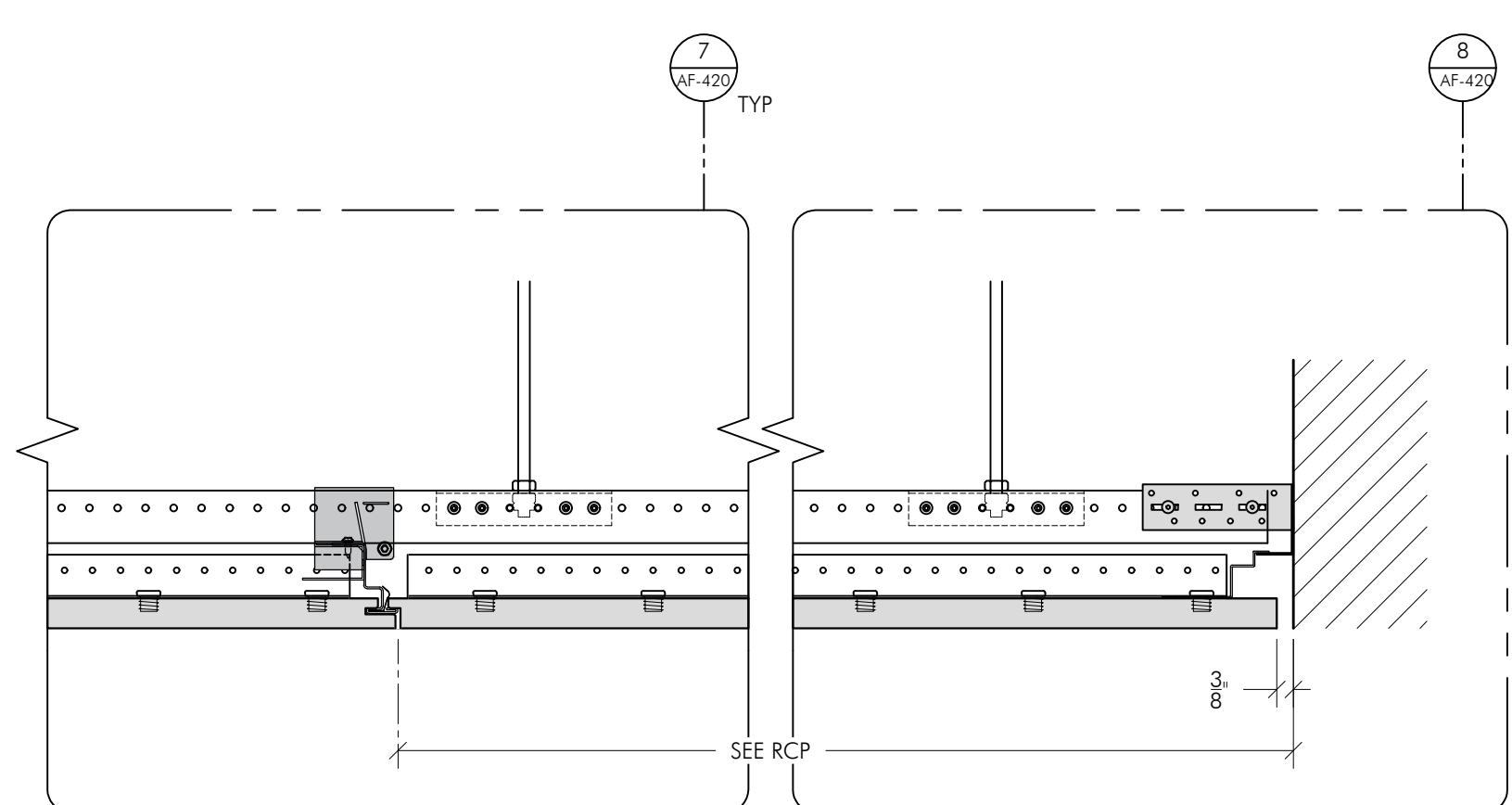
17 ALTERNATE PRIMARY GRID FOR NYC
SCALE: 3"=1'-0"

REF: 7 & 11/AF-420



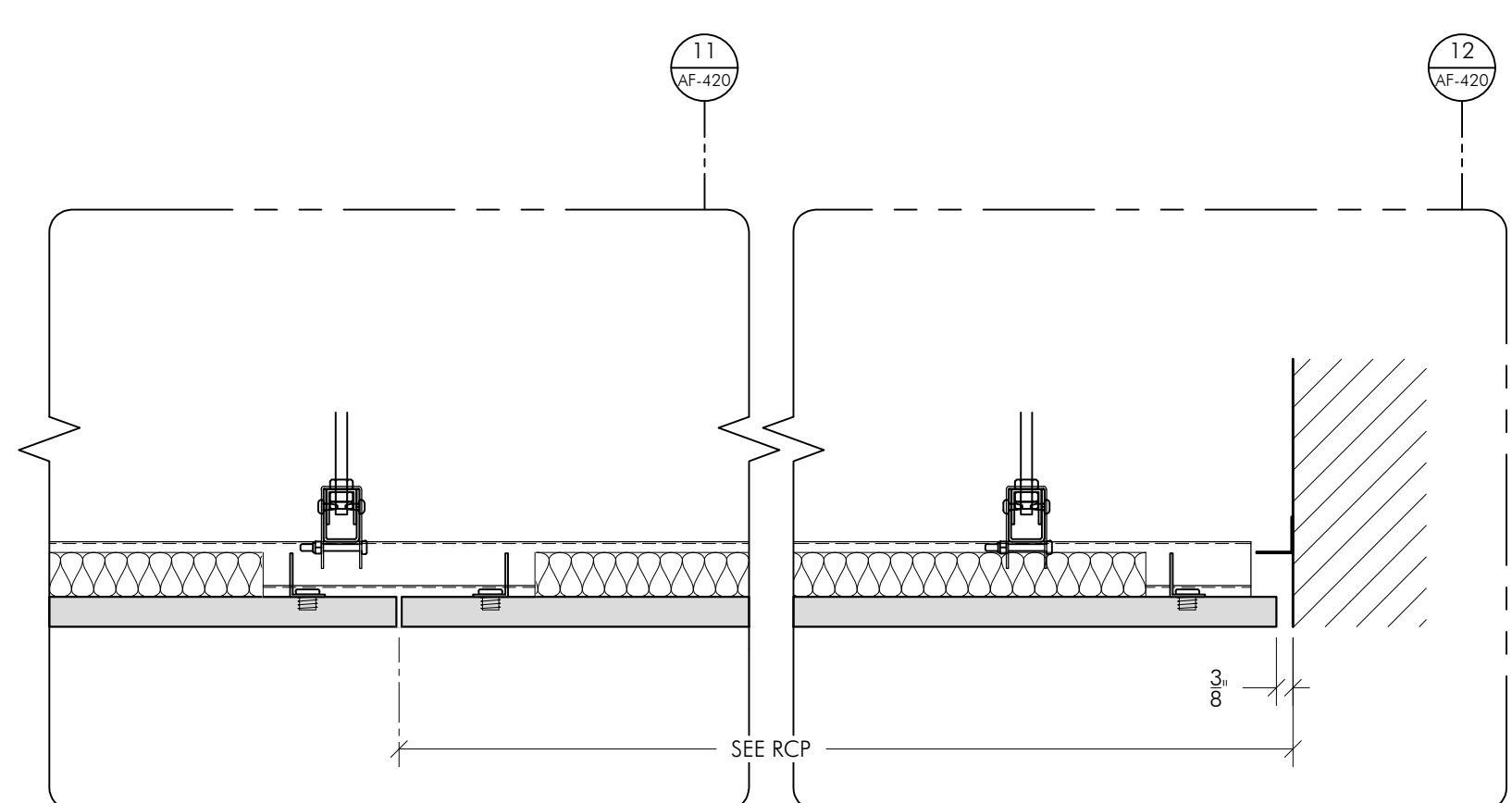
14 TRANSVERSE SECTION @ PERIMETER
SCALE: 3"=1'-0"

REF:



15 TRANSVERSE SECTION @ PERIMETER
SCALE: 3"=1'-0"

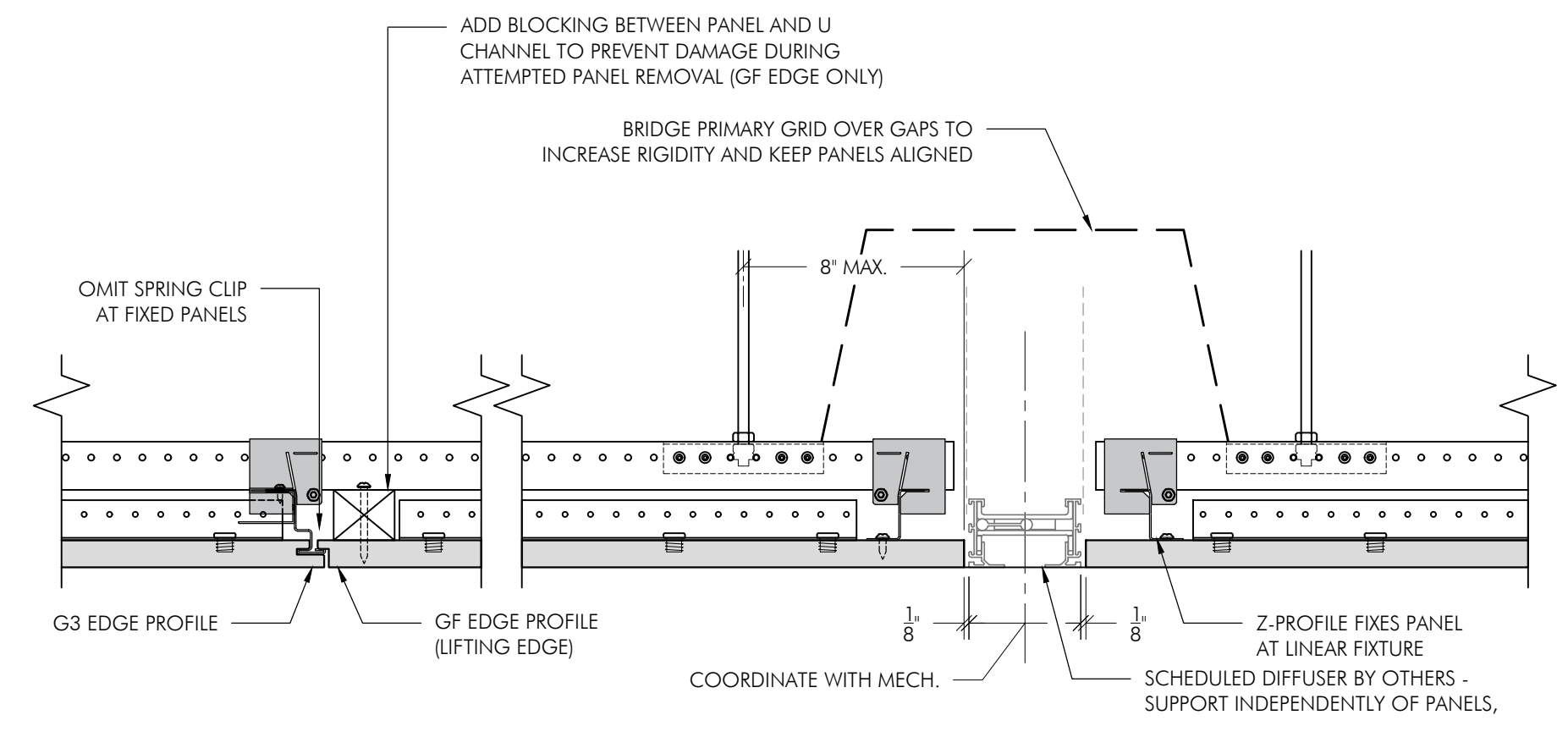
REF:



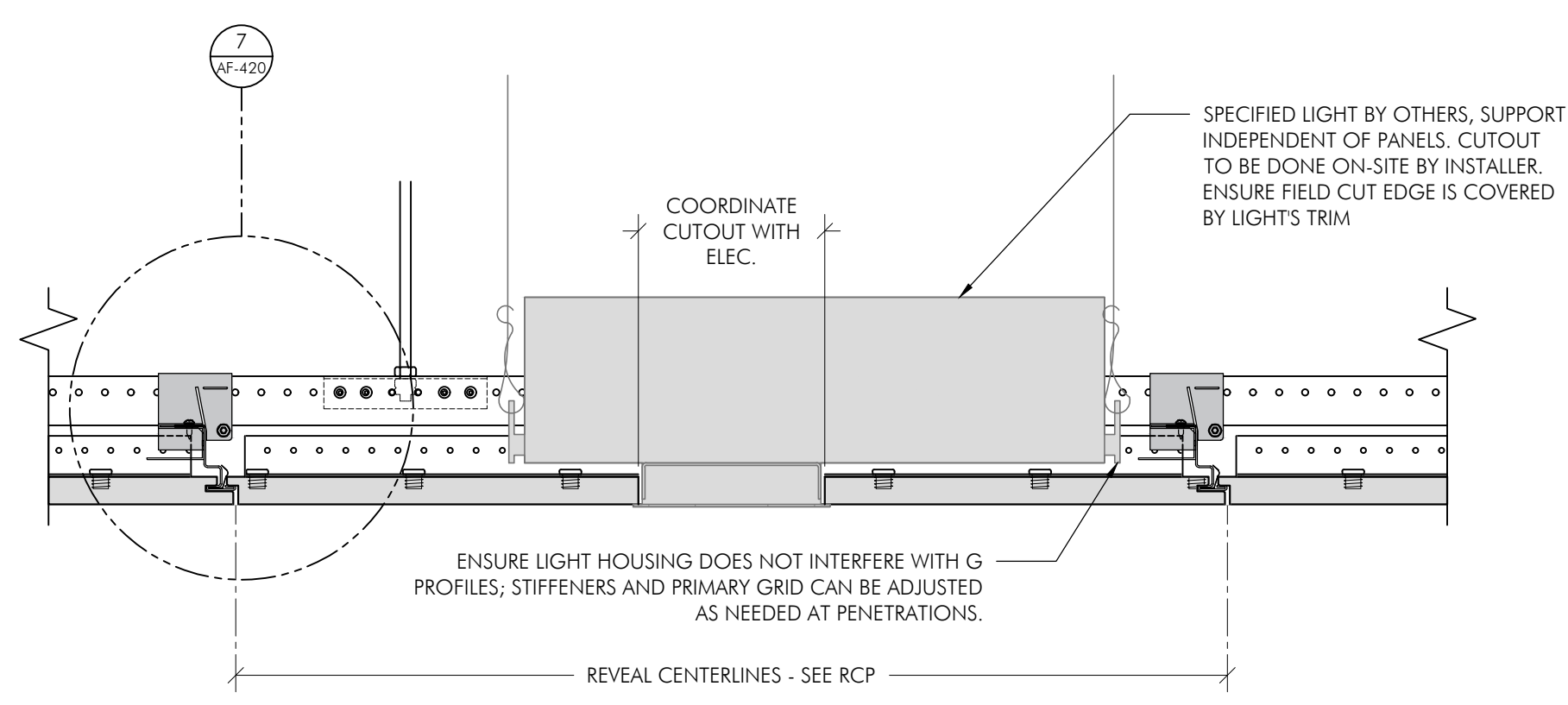
16 LONGITUDINAL SECTION @ PERIMETER
SCALE: 3"=1'-0"

REF:

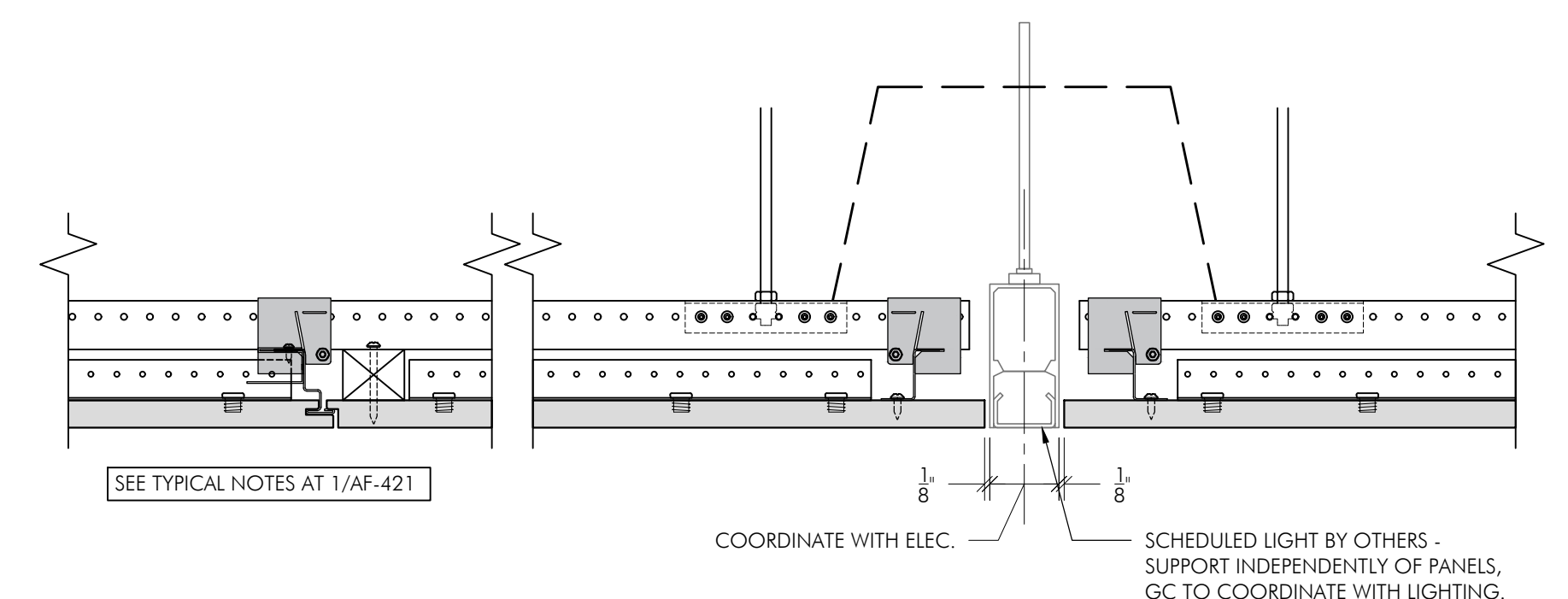
PROJECT: Template		TOPAKUSTIK	
SHEET TITLE: G GRID DETAILS 1		8/33	
REVISIONS:	ISSUE DATE: 2/16/2024	SCALE:	NOTED 3rd ANG.
PROJ MGR:	PROJ MGR:	PAGE NO:	PROJ NO:
PRODUCTION TOLERANCE: 0.36" ± 1/32"	PRODUCTION TOLERANCE: 0.36" ± 1/32"	REV NO:	0
		AF-420	



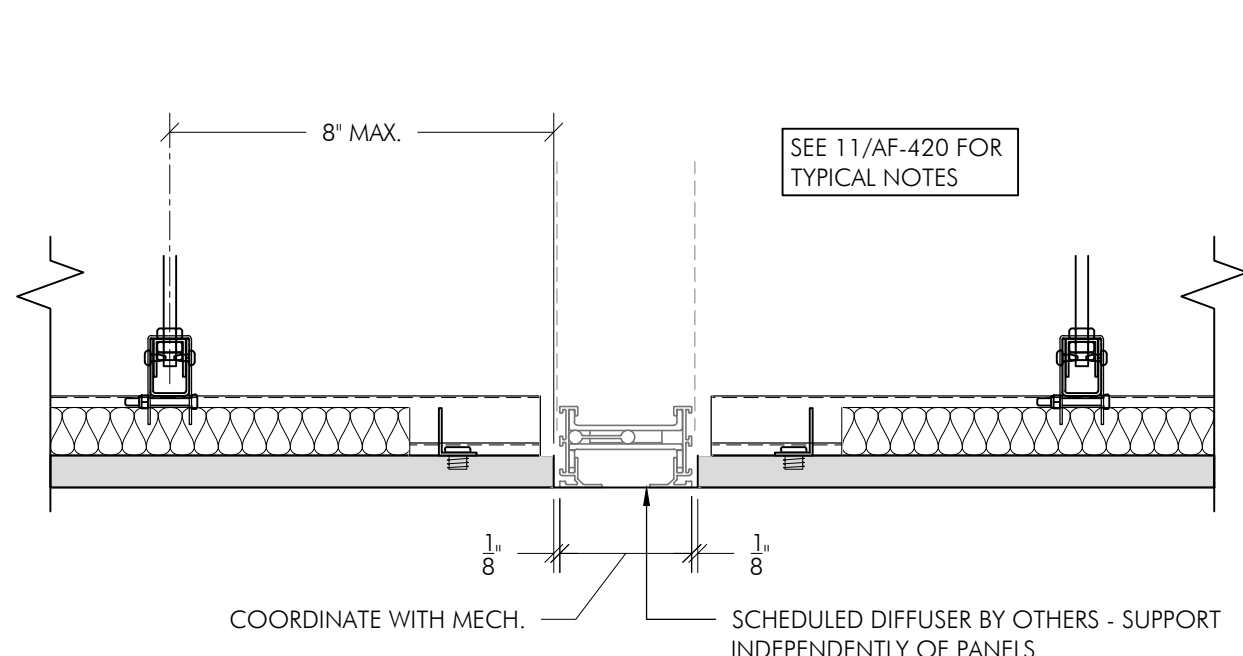
1 DIFFUSER ALONG PANEL LENGTH
SCALE: 3"=1'-0" REF: TYPICAL



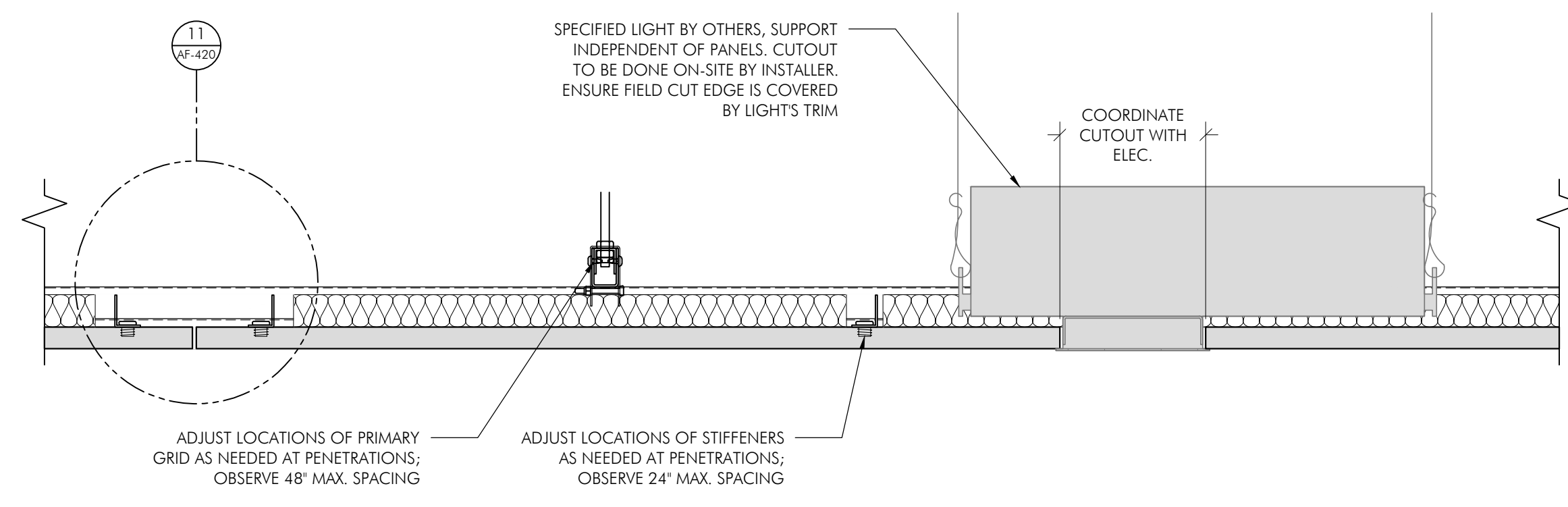
2 TYPICAL SECTION DETAIL - TRANSVERSE AT LIGHT
SCALE: 3"=1'-0" REF: TYPICAL



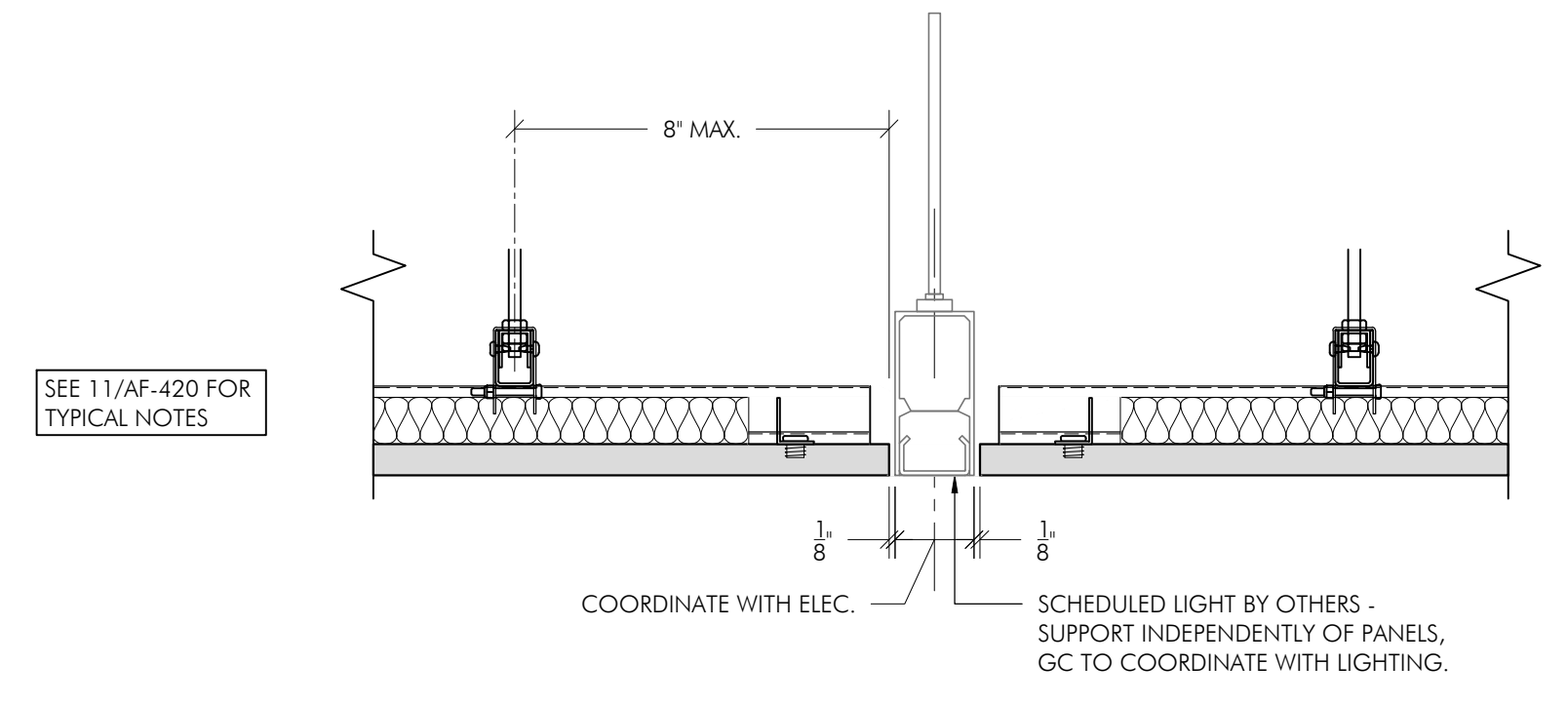
3 TRANSVERSE SECTION AT LINEAR LIGHT
SCALE: 3"=1'-0" REF: TYPICAL



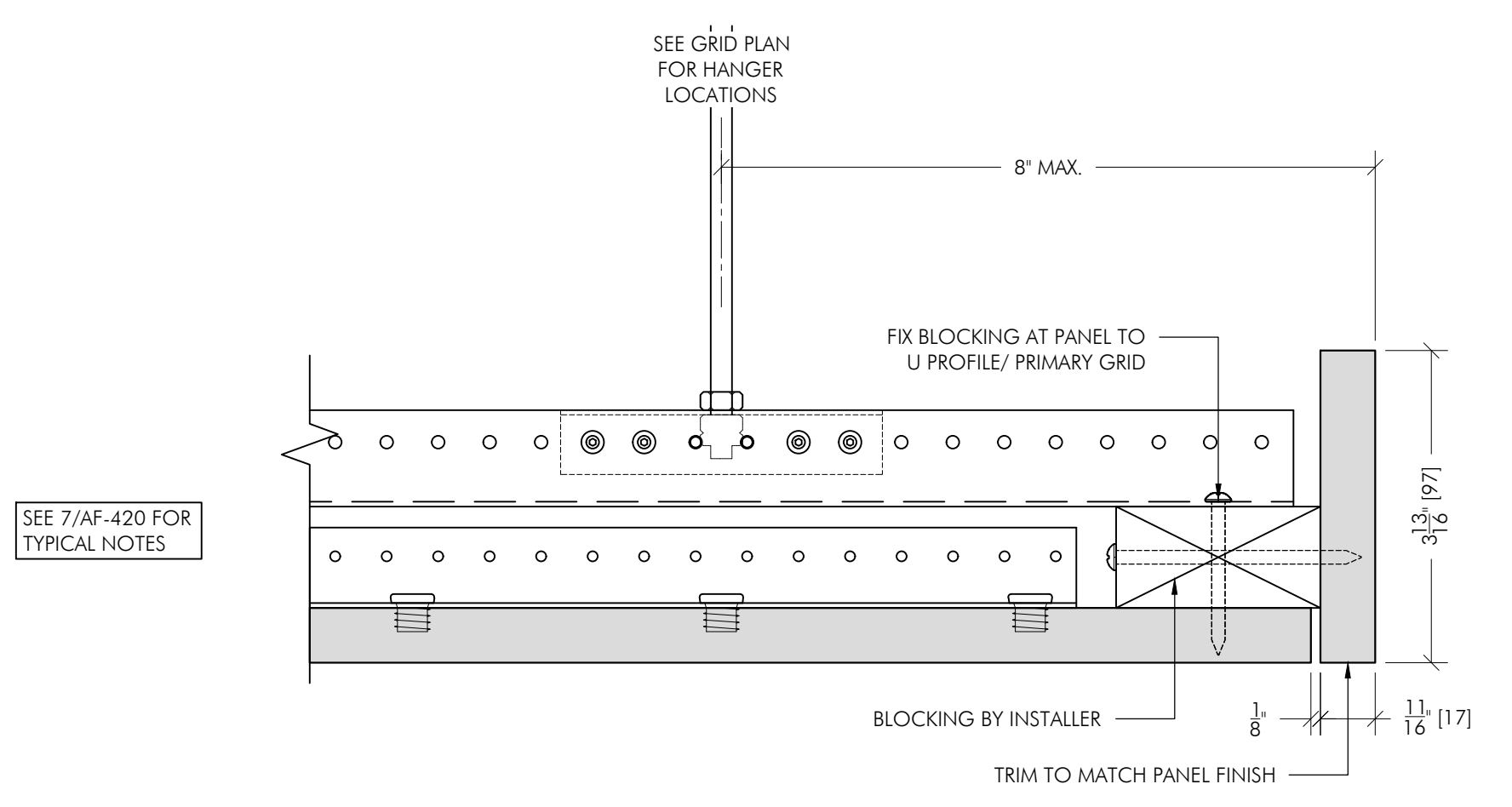
5 DIFFUSER ALONG PANEL WIDTH
SCALE: 3"=1'-0" REF: TYPICAL



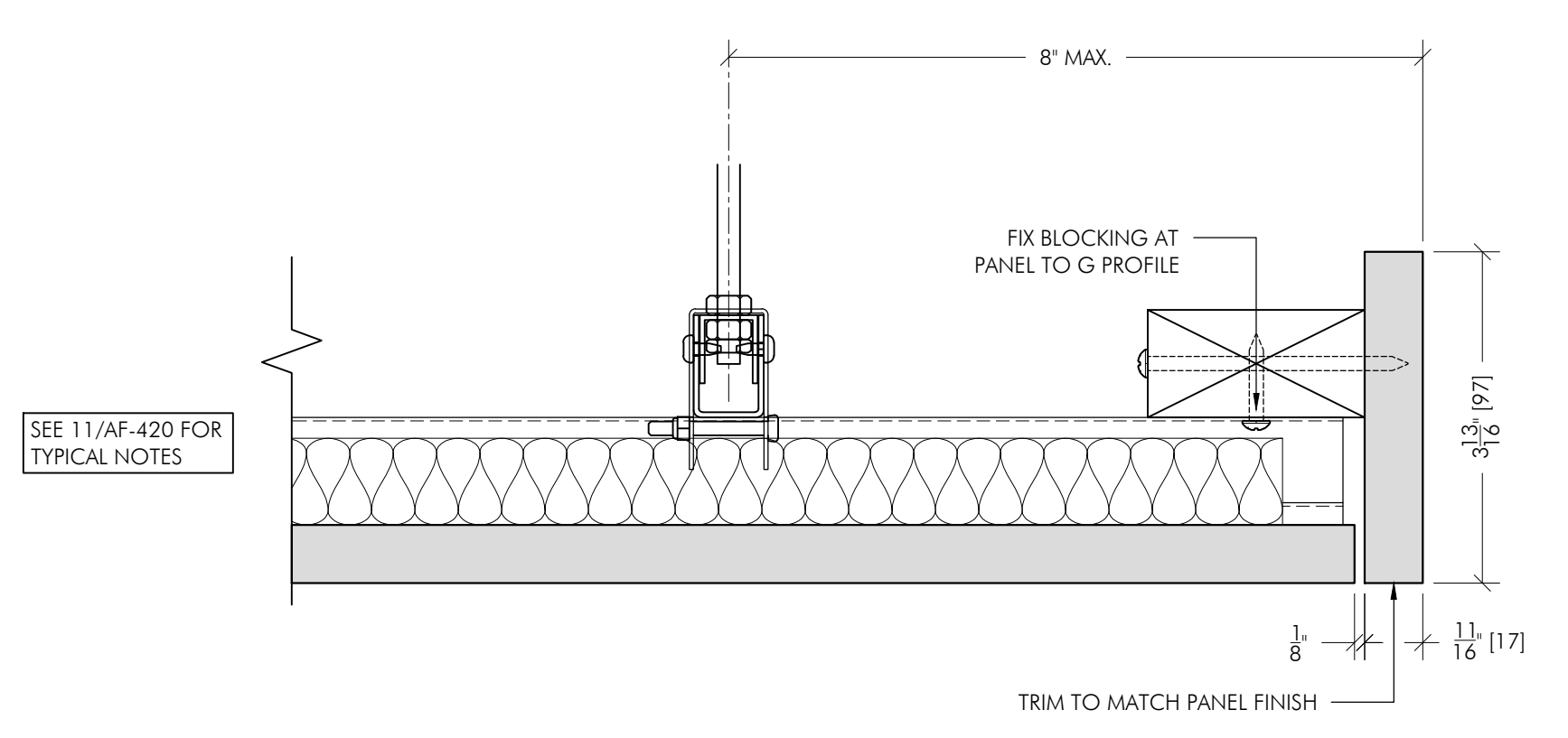
6 TYPICAL SECTION DETAIL - LONGITUDINAL AT LIGHT
SCALE: 3"=1'-0" REF: 1/AF-202



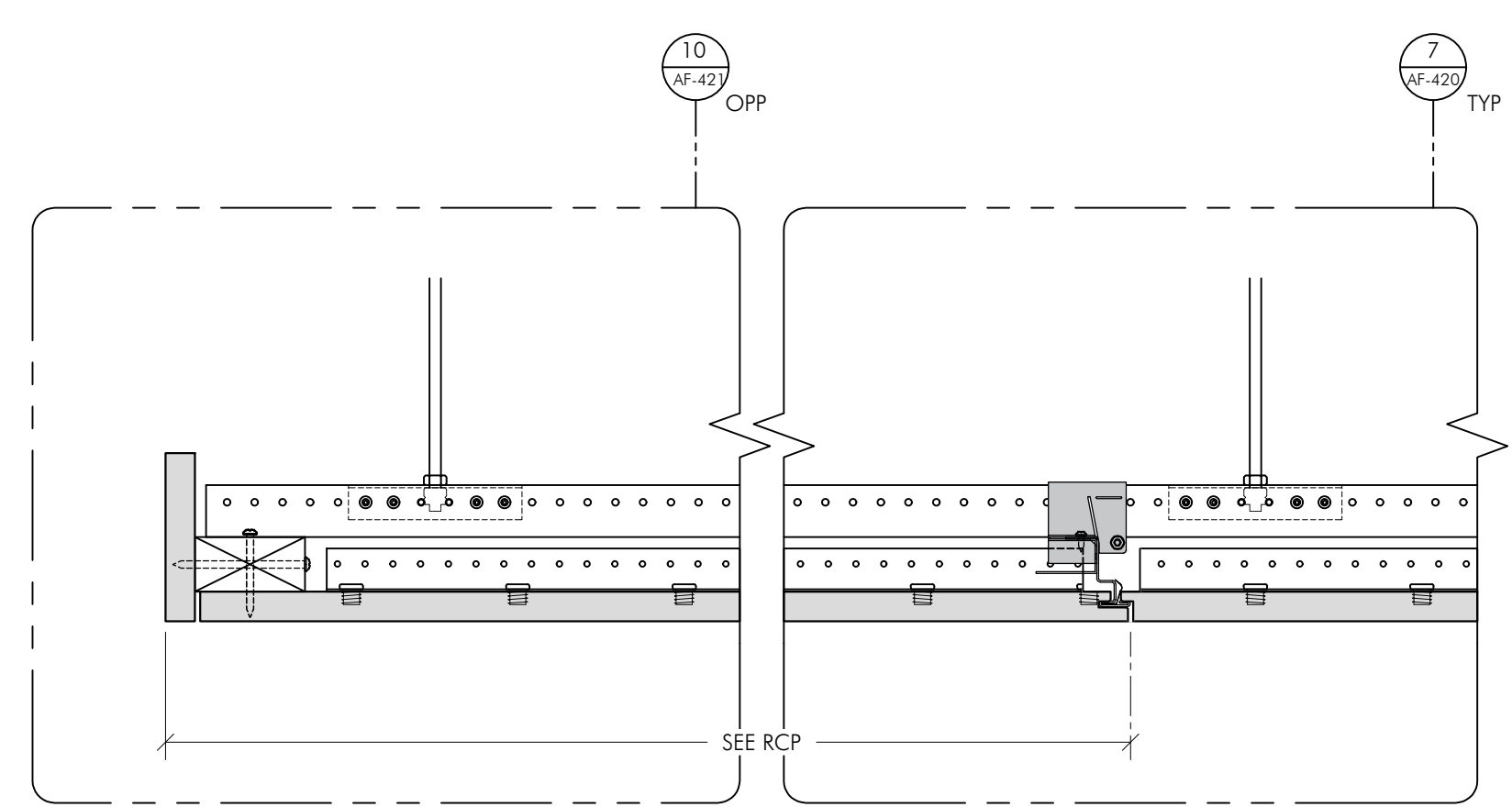
7 LONGITUDINAL SECTION AT LINEAR LIGHT
SCALE: 3"=1'-0" REF: TYPICAL



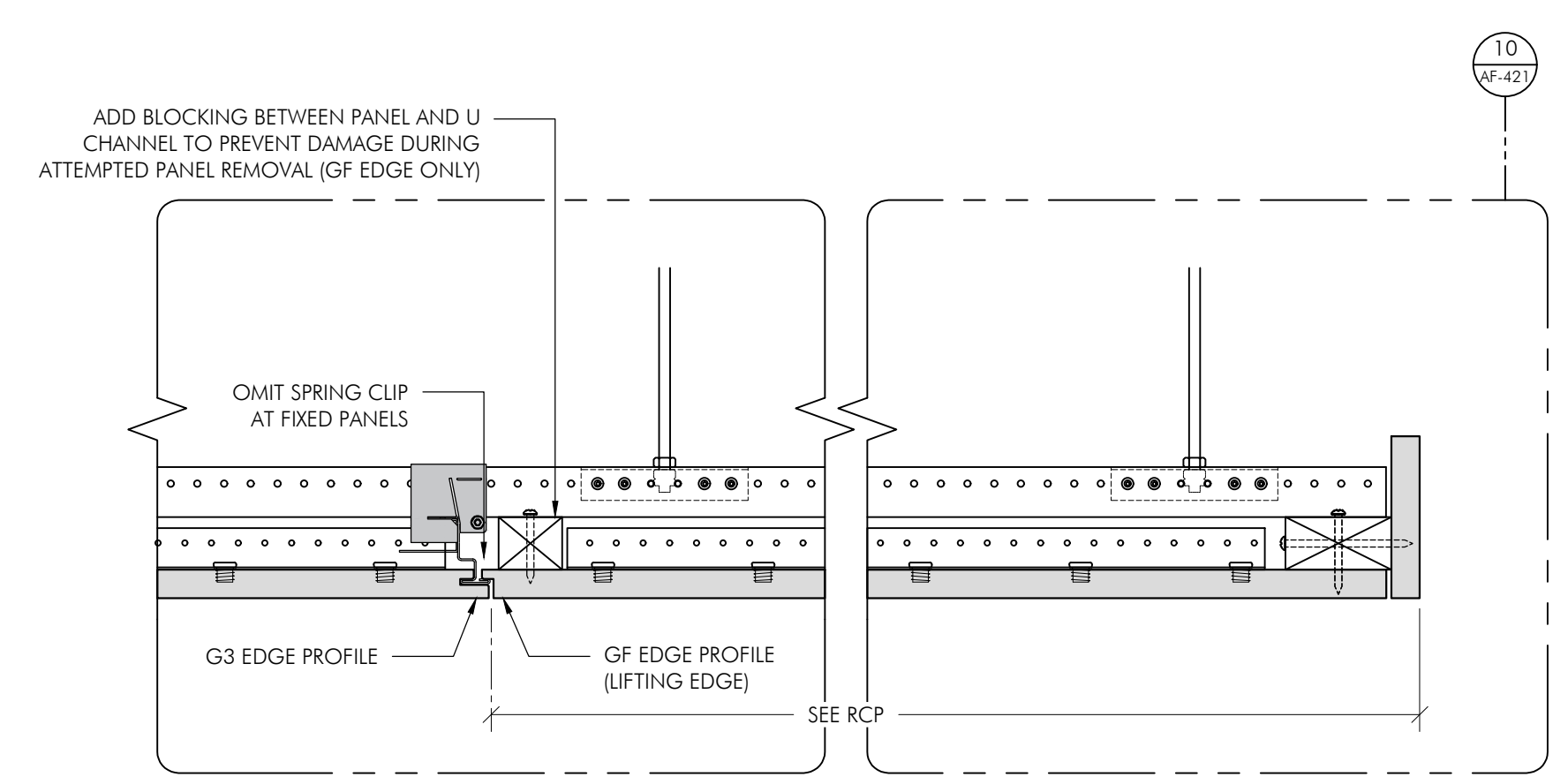
10 TRANSVERSE SECTION AT TRIM
SCALE: 6"=1'-0" REF:



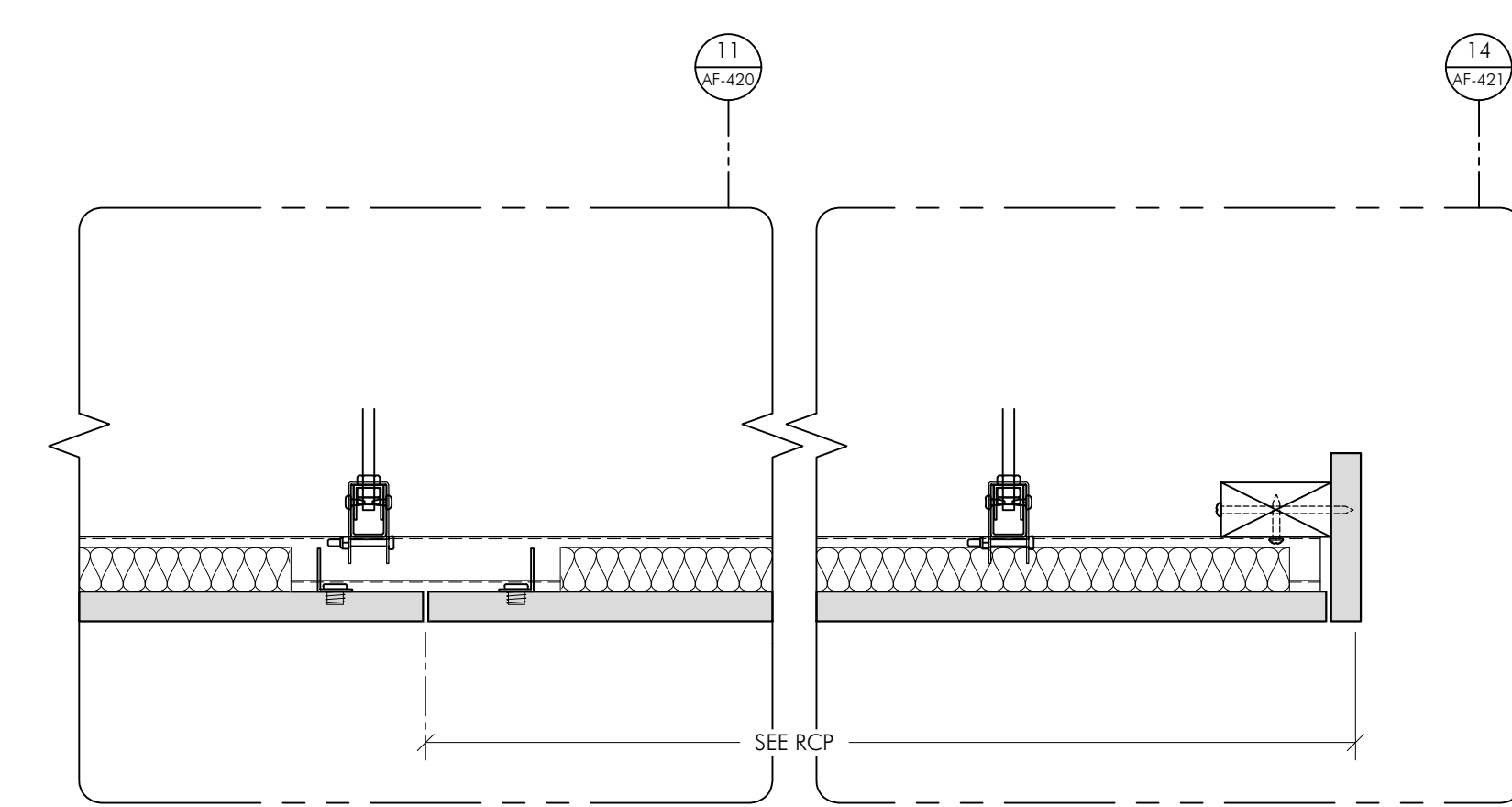
11 LONGITUDINAL SECTION AT TRIM
SCALE: 6"=1'-0" REF:



17 TRANSVERSE SECTION AT TRIM
SCALE: 3"=1'-0" REF:

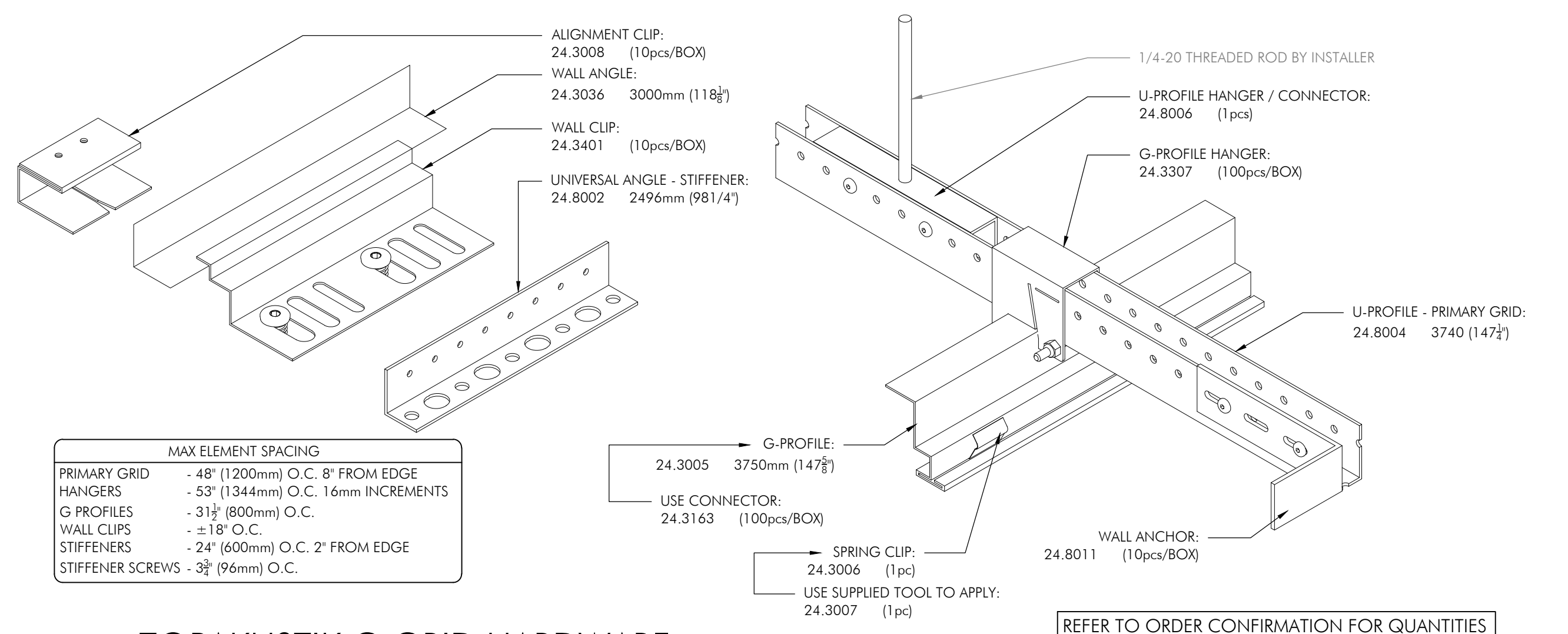


18 TRANSVERSE SECTION AT TRIM
SCALE: 3"=1'-0" REF:

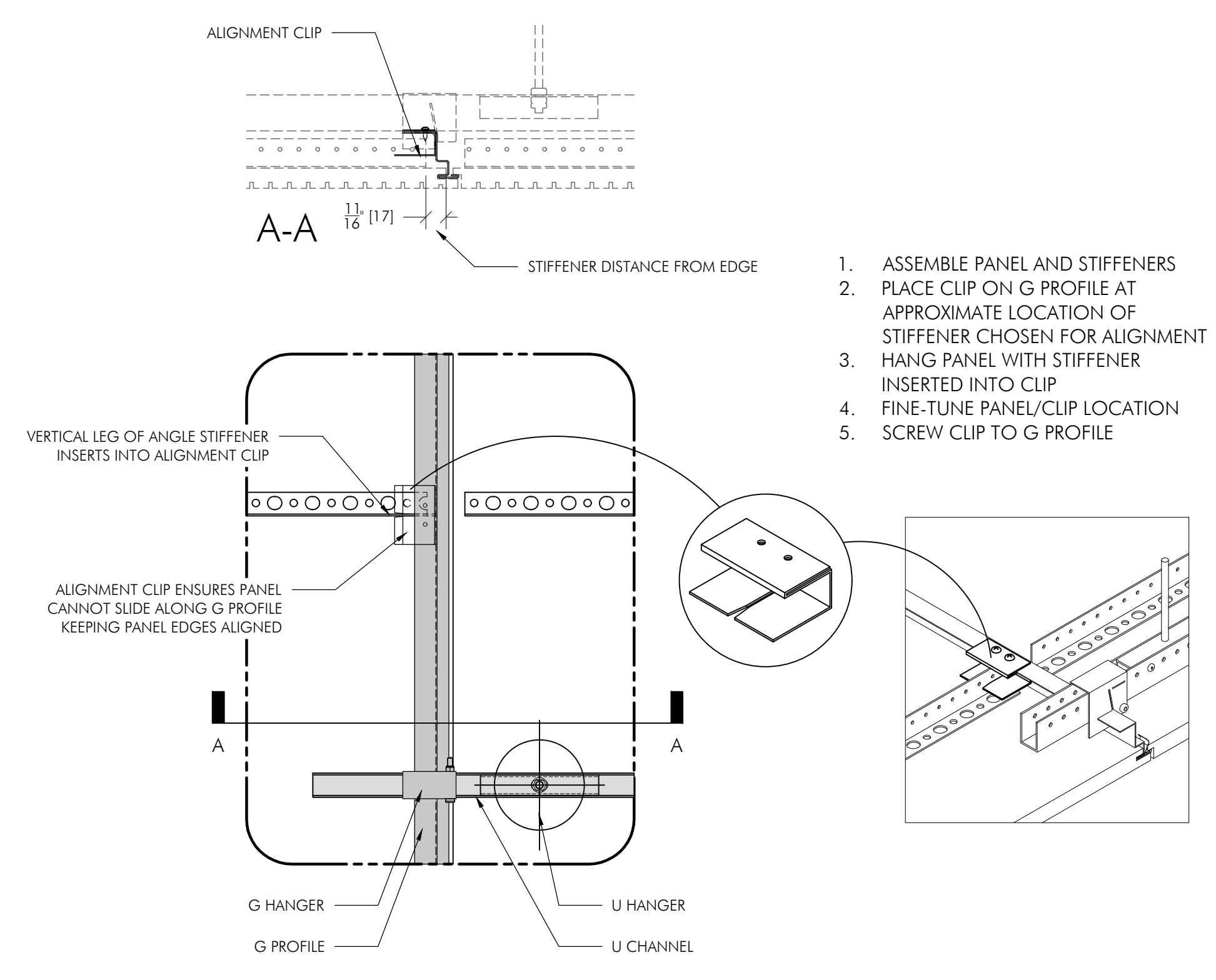


19 LONGITUDINAL SECTION AT TRIM
SCALE: 3"=1'-0" REF:

PROJECT: Template		TOP(A)K(U)S(T)I(K)	
SHEET TITLE: G GRID DETAILS 2			
REVISIONS:	ISSUE DATE:	SCALE:	NOTED
▲	2/16/2024		3rd ANG.
▲	PROJ MGR:	DRAWN BY:	PAGE NO: 9/33
▲			REV NO: 0
▲	PRODUCTION TOLERANCE:	AF-421	
	0" - 36" = 1/32"		
	(±1/32" PER 36" OF PRODUCT)		

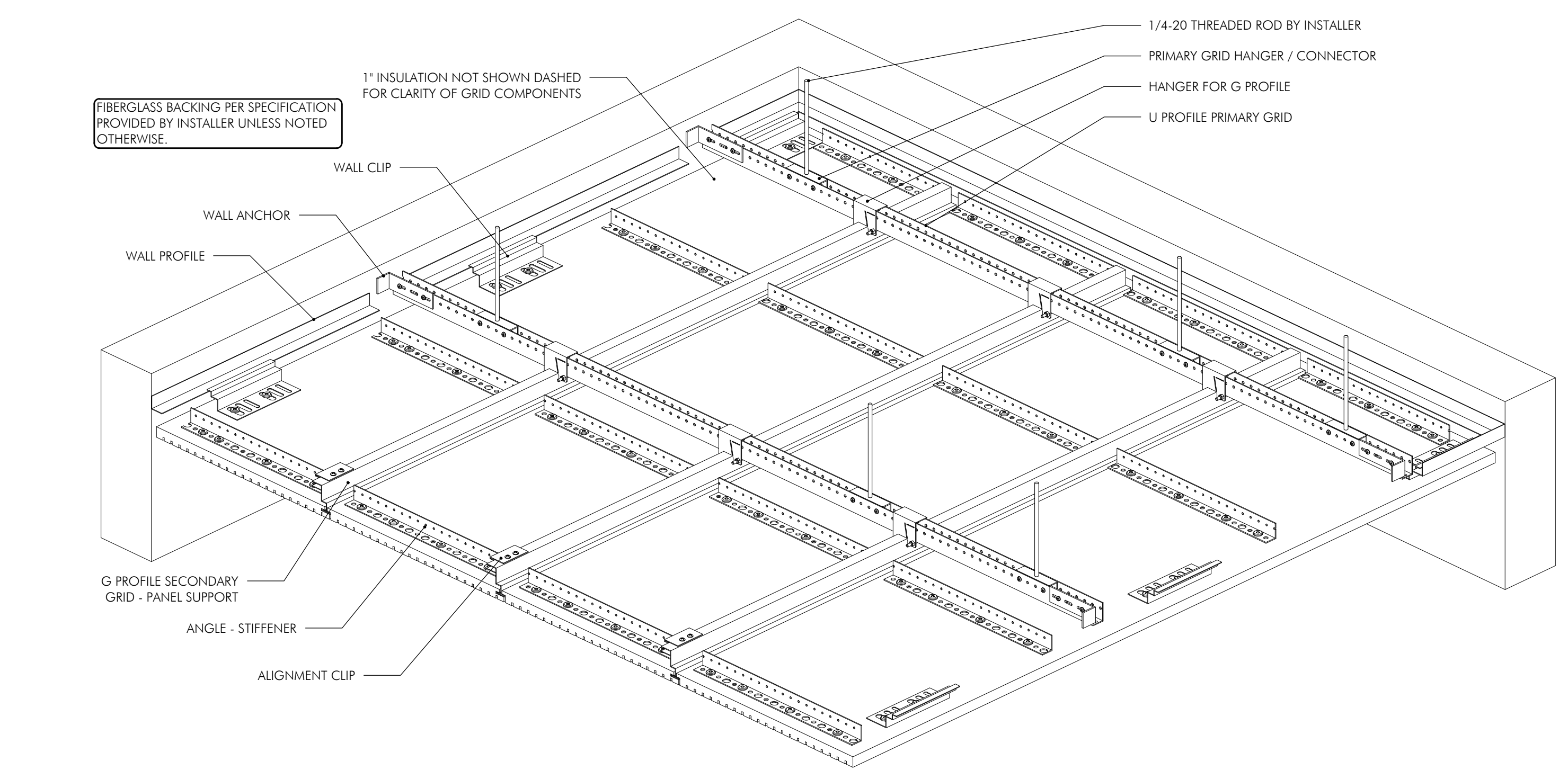


2 TOPAKUSTIK G GRID HARDWARE
 SCALE: 3"=1'-0"

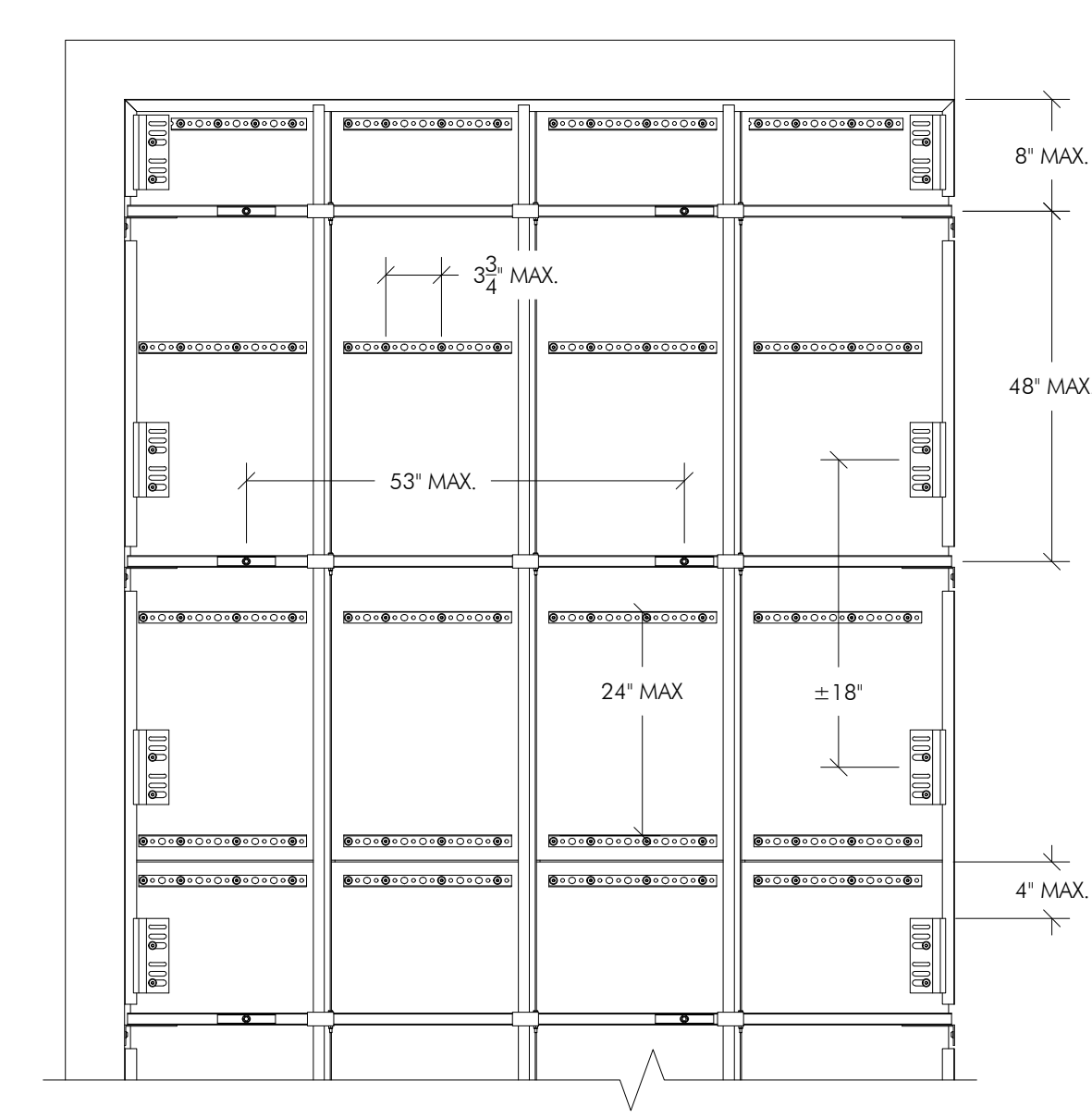


3 ALIGNMENT CLIP DETAIL
 SCALE: 3"=1'-0"

1. ASSEMBLE PANEL AND STIFFENERS
2. PLACE CLIP ON G-PROFILE AT APPROXIMATE LOCATION OF STIFFENER CHOSEN FOR ALIGNMENT
3. HANG PANEL WITH STIFFENER INSERTED INTO CLIP
4. FINE-TUNE PANEL/CLIP LOCATION
5. SCREW CLIP TO G-PROFILE



1 TYPICAL G GRID DETAIL
 SCALE: NTS



REF: TYPICAL

PROJECT: Template		TOPAKUSTIK	
SHEET TITLE: G GRID DETAILS 3			
REVISIONS:	ISSUE DATE: 2/16/2024	SCALE:	3" ANG. PROJ.
▲	PROJ. MGR. / DRAWN BY:	PAGE NO.:	10/33
▲	PRODUCTION TOLERANCE: 0.36" ± 1/32" ± 1/32" PER 36" OF PRODUCT	REV NO.:	0
▲		AF-422	