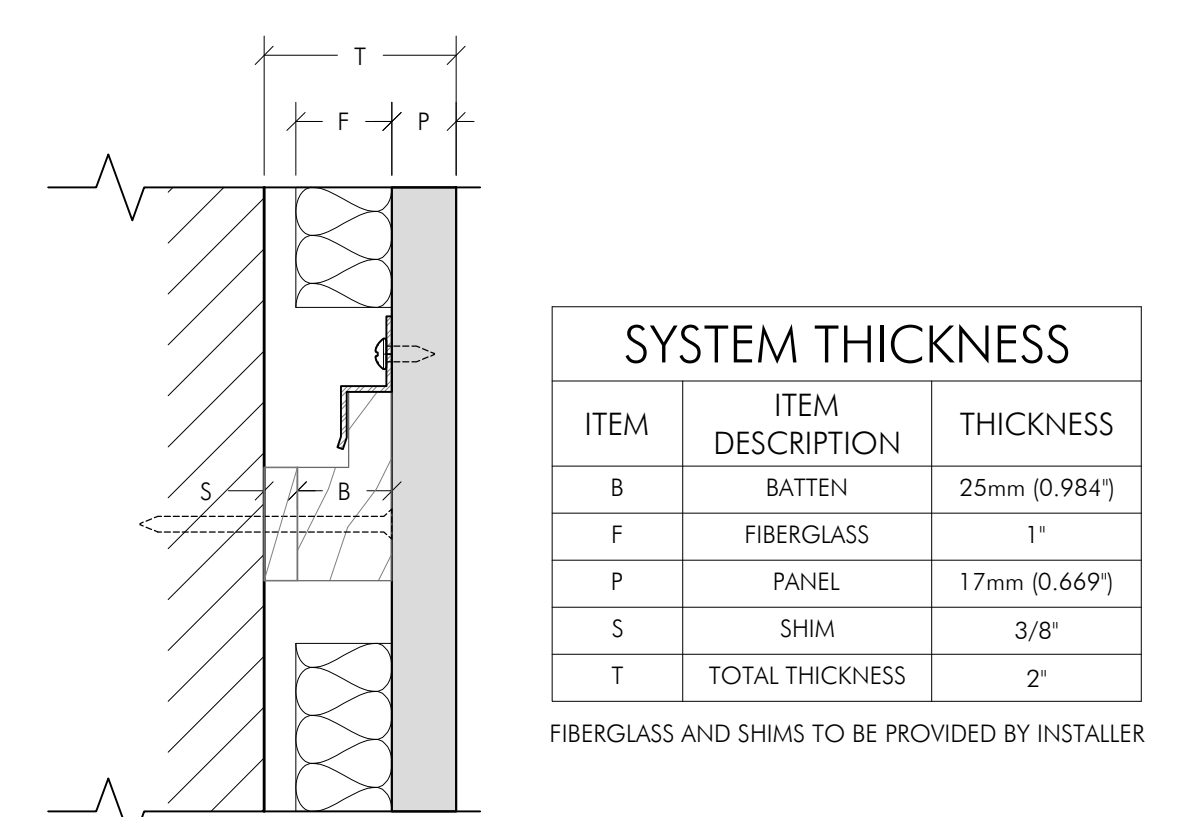
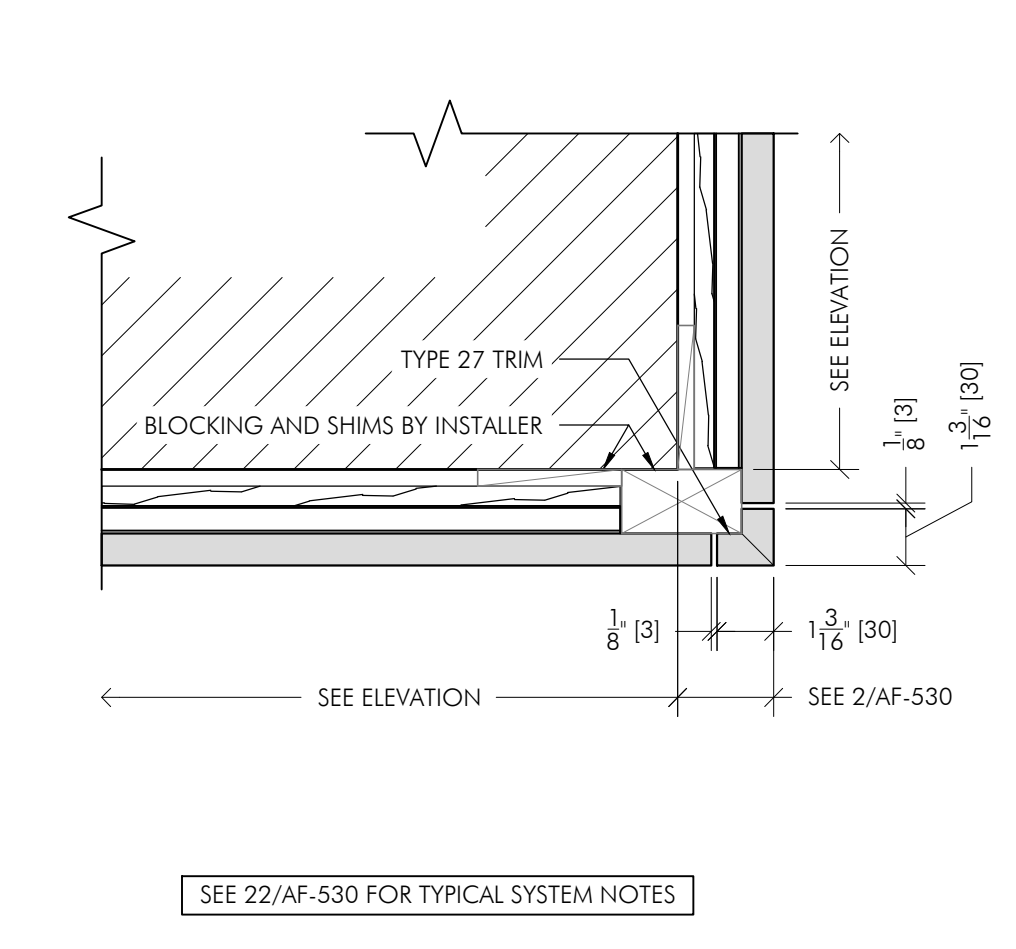


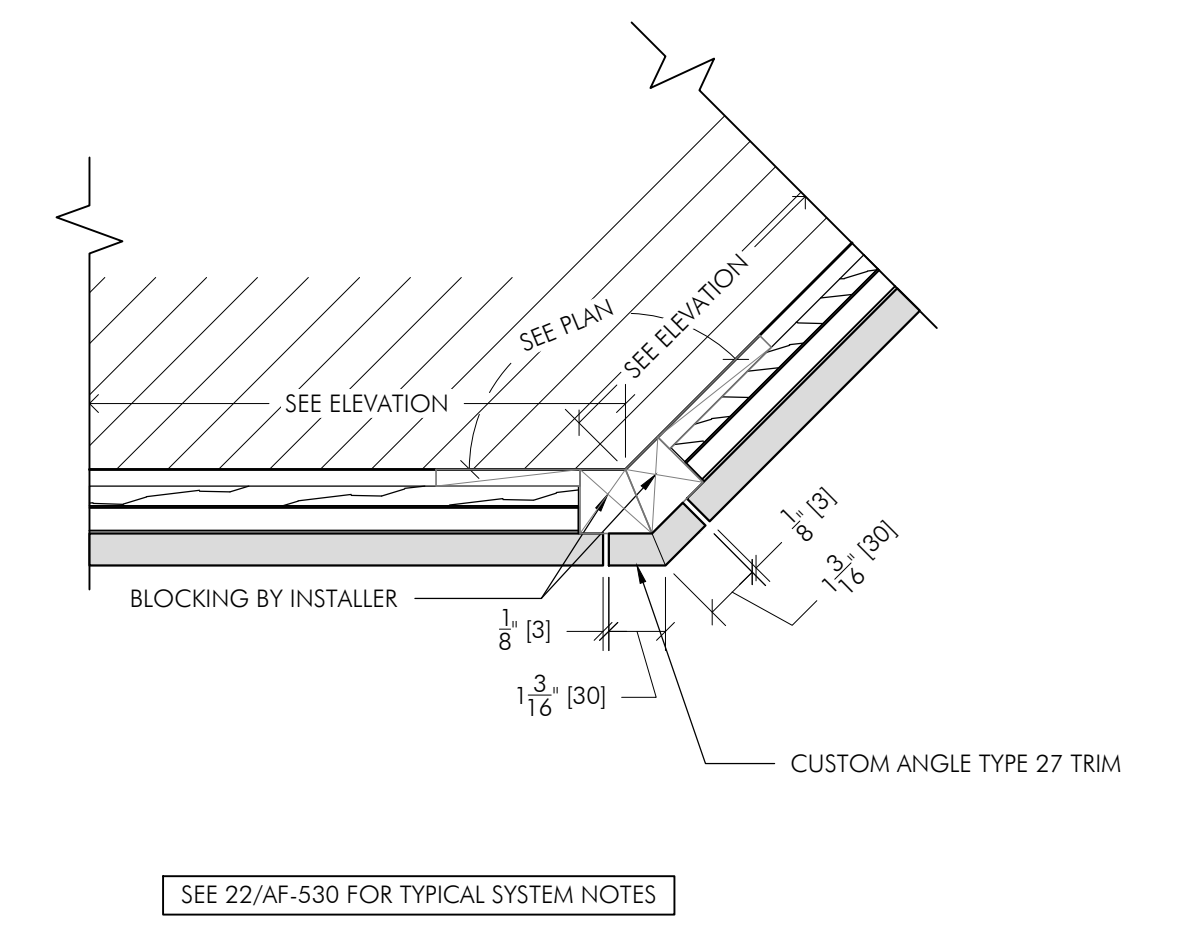
1 HEAD DETAIL - SECTION
SCALE: 3"=1'-0" REF:



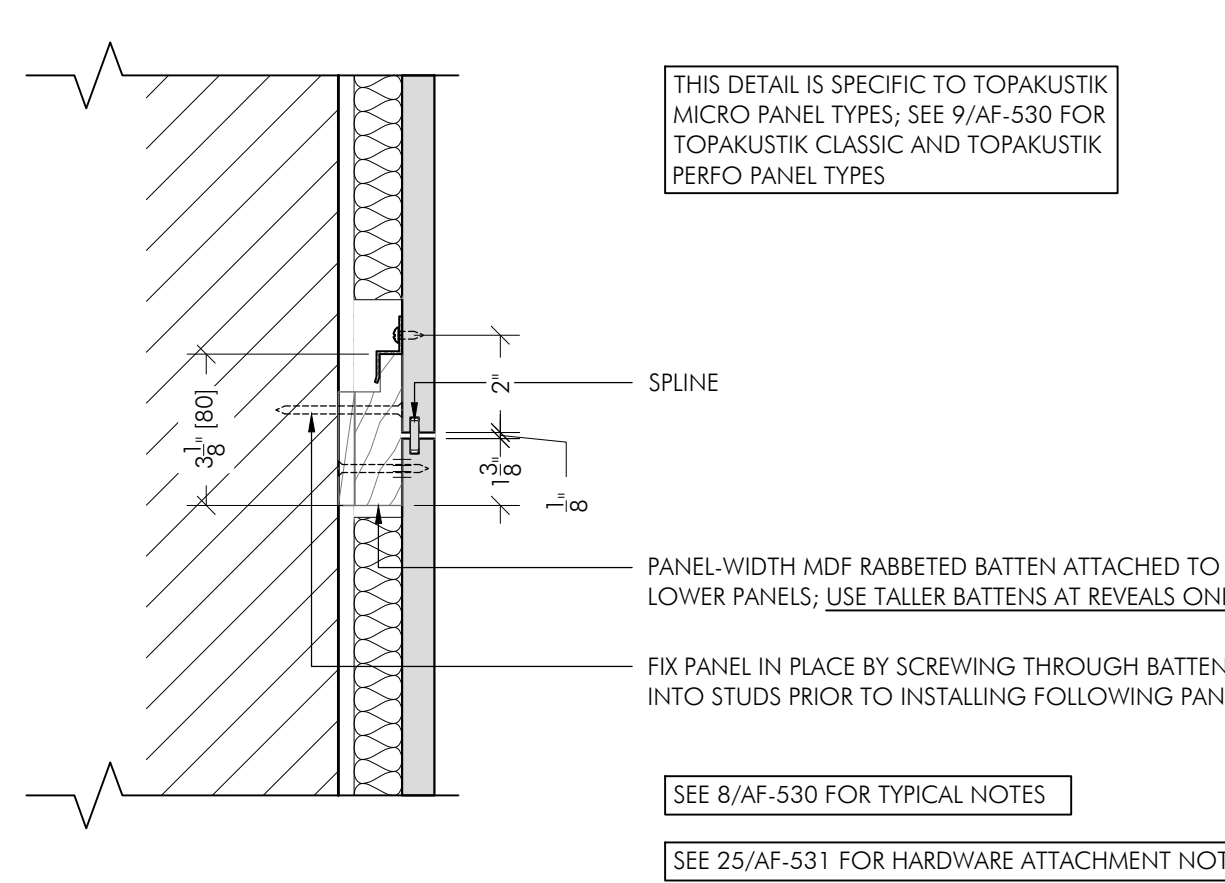
2 SYSTEM THICKNESS
SCALE: 6"=1'-0" REF: 8/AF-530



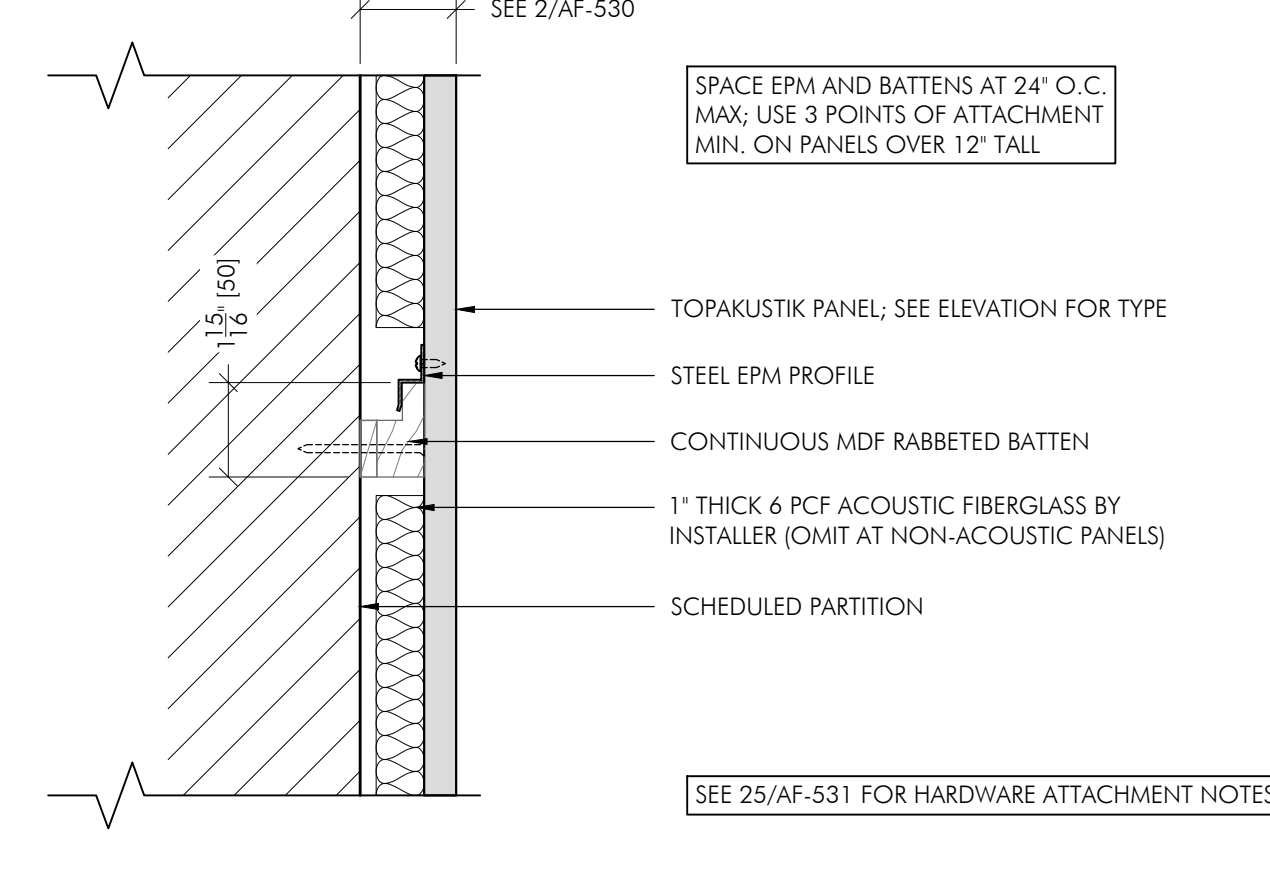
5 OUTSIDE CORNER - TYPE 27
SCALE: 3"=1'-0" REF:



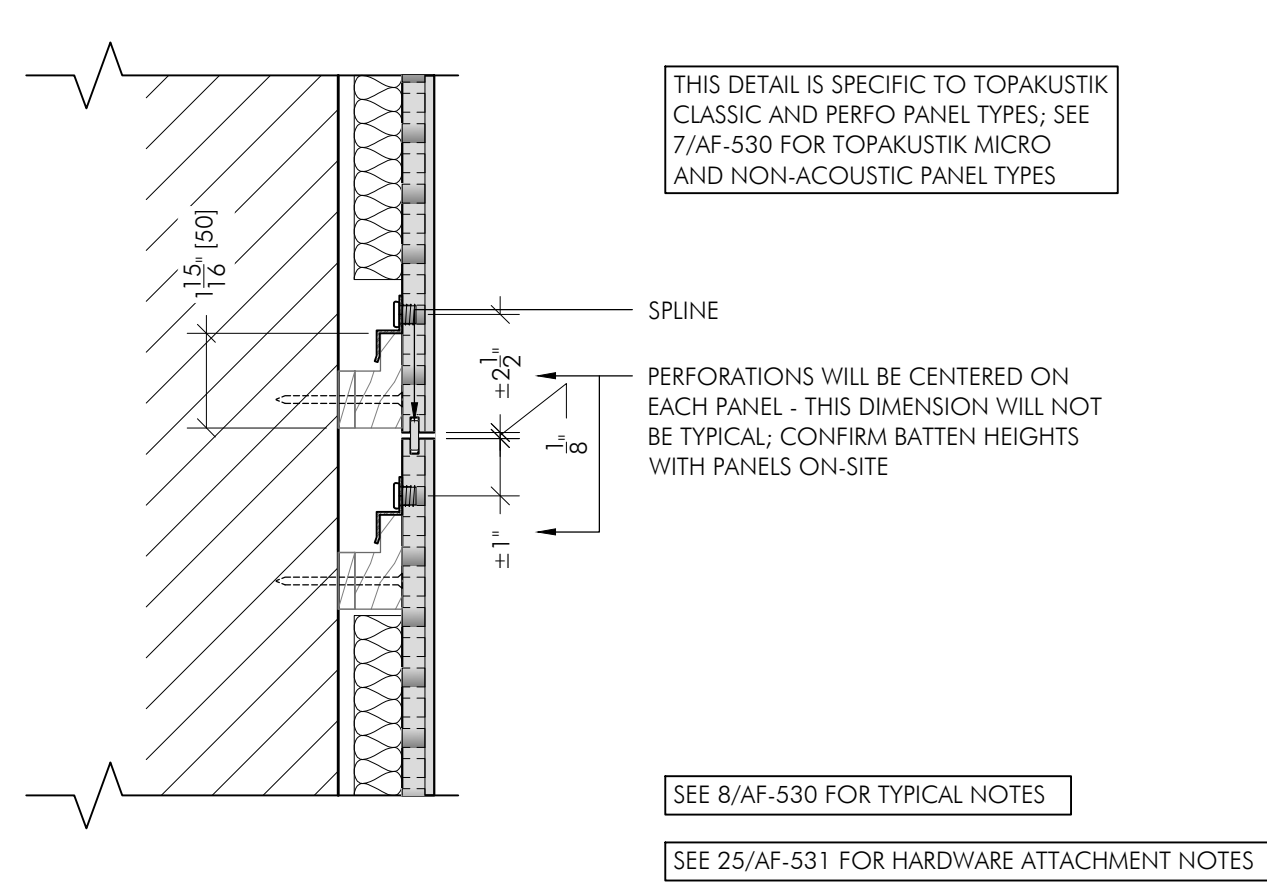
6 CUSTOM ANGLE - TYPE 27
SCALE: 3"=1'-0" REF:



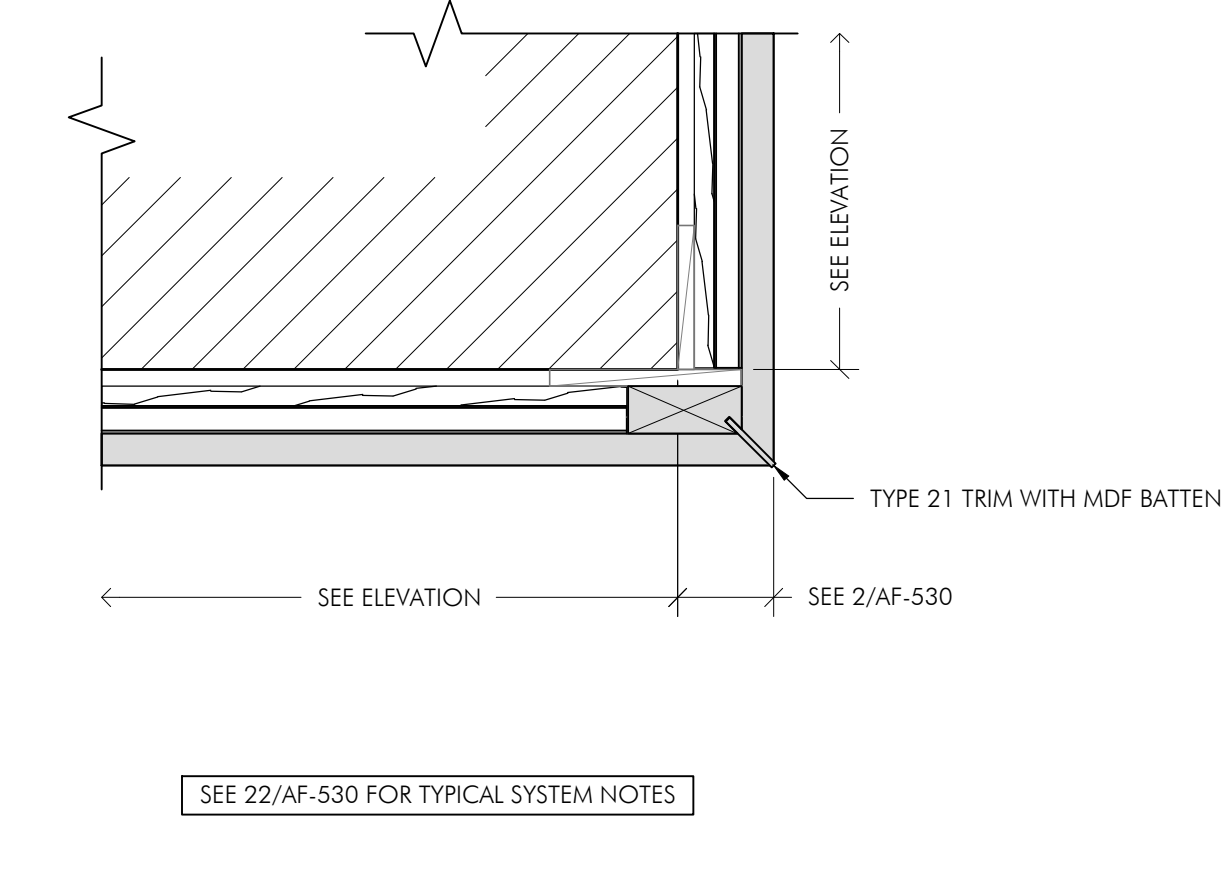
7 REVEAL - SECTION (MICRO)
SCALE: 3"=1'-0" REF:



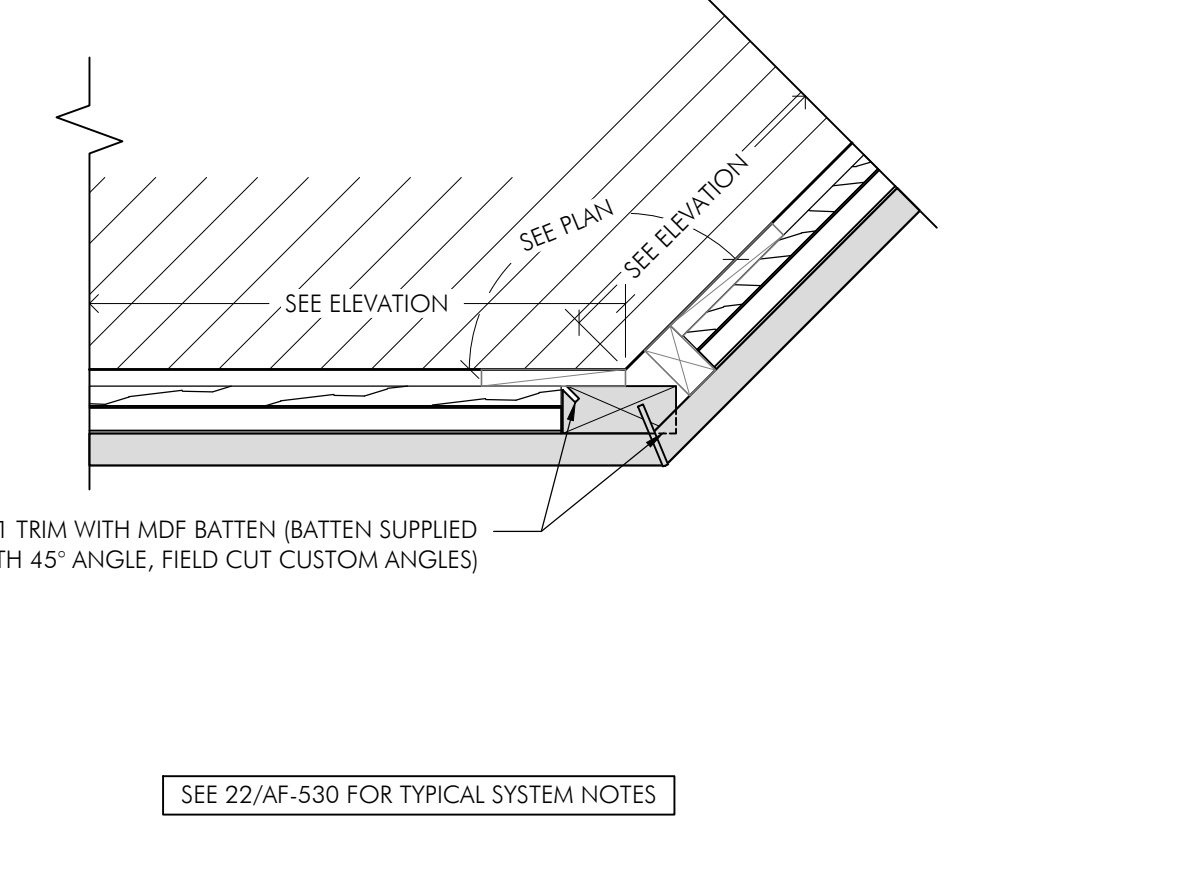
8 EPM HARDWARE - SECTION
SCALE: 3"=1'-0" REF:



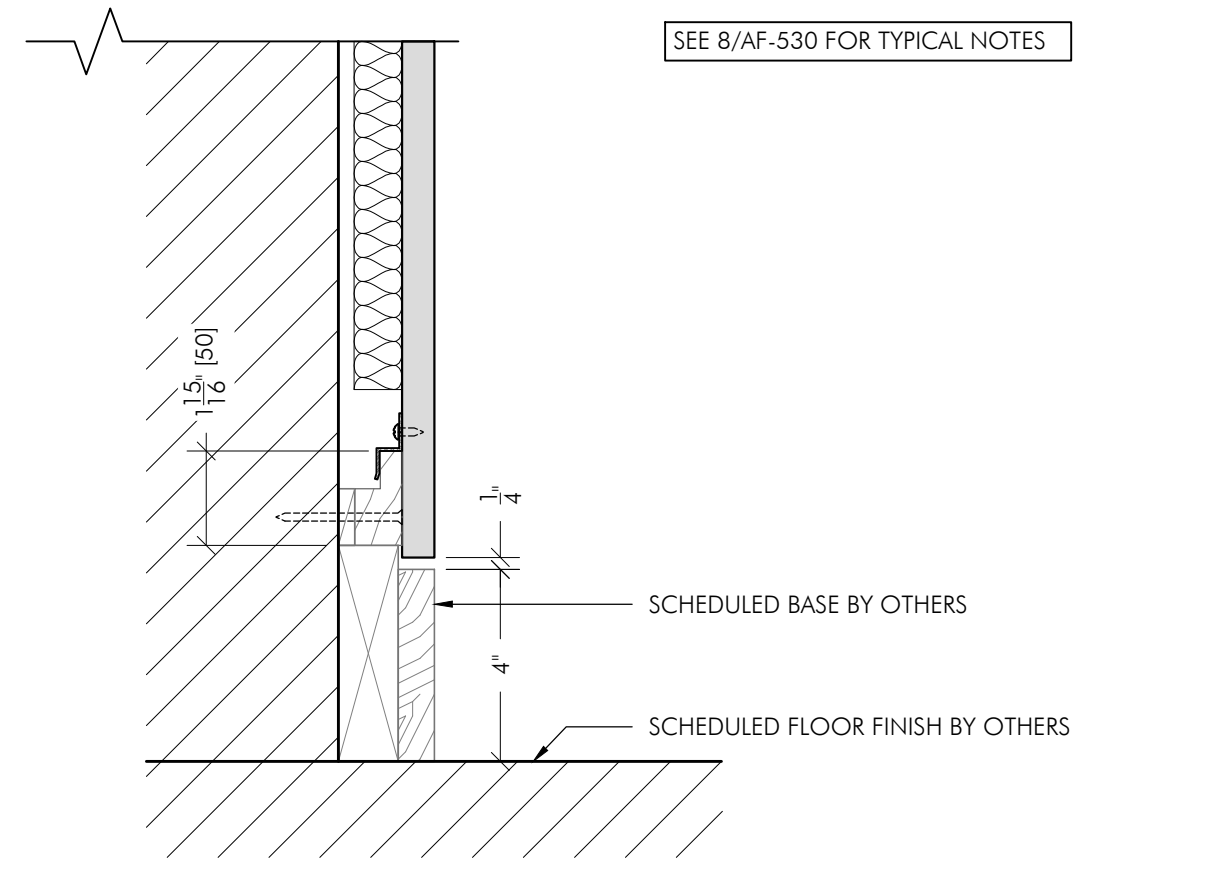
9 REVEAL - SECTION (CLASSIC/PERFO)
SCALE: 3"=1'-0" REF:



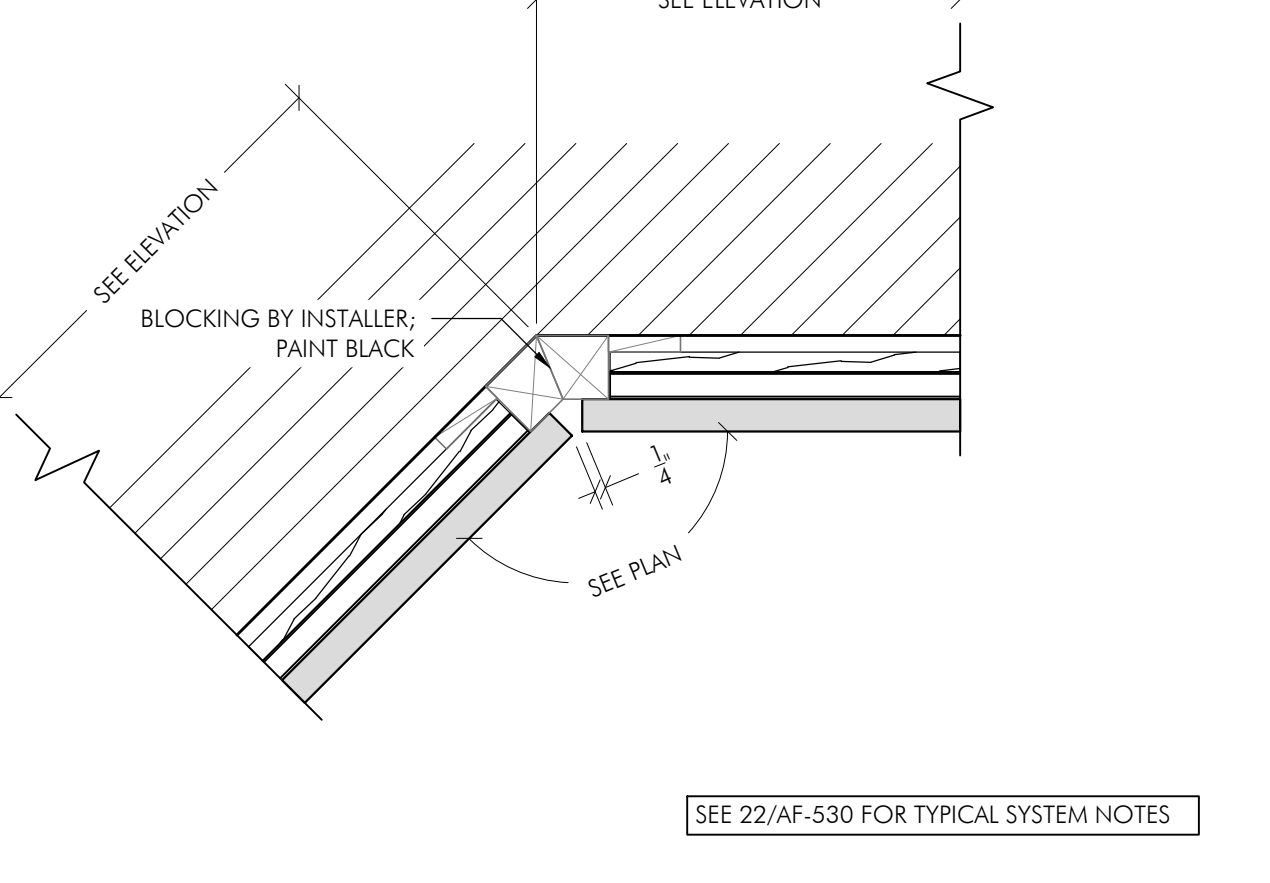
11 OUTSIDE CORNER - TYPE 21
SCALE: 3"=1'-0" REF:



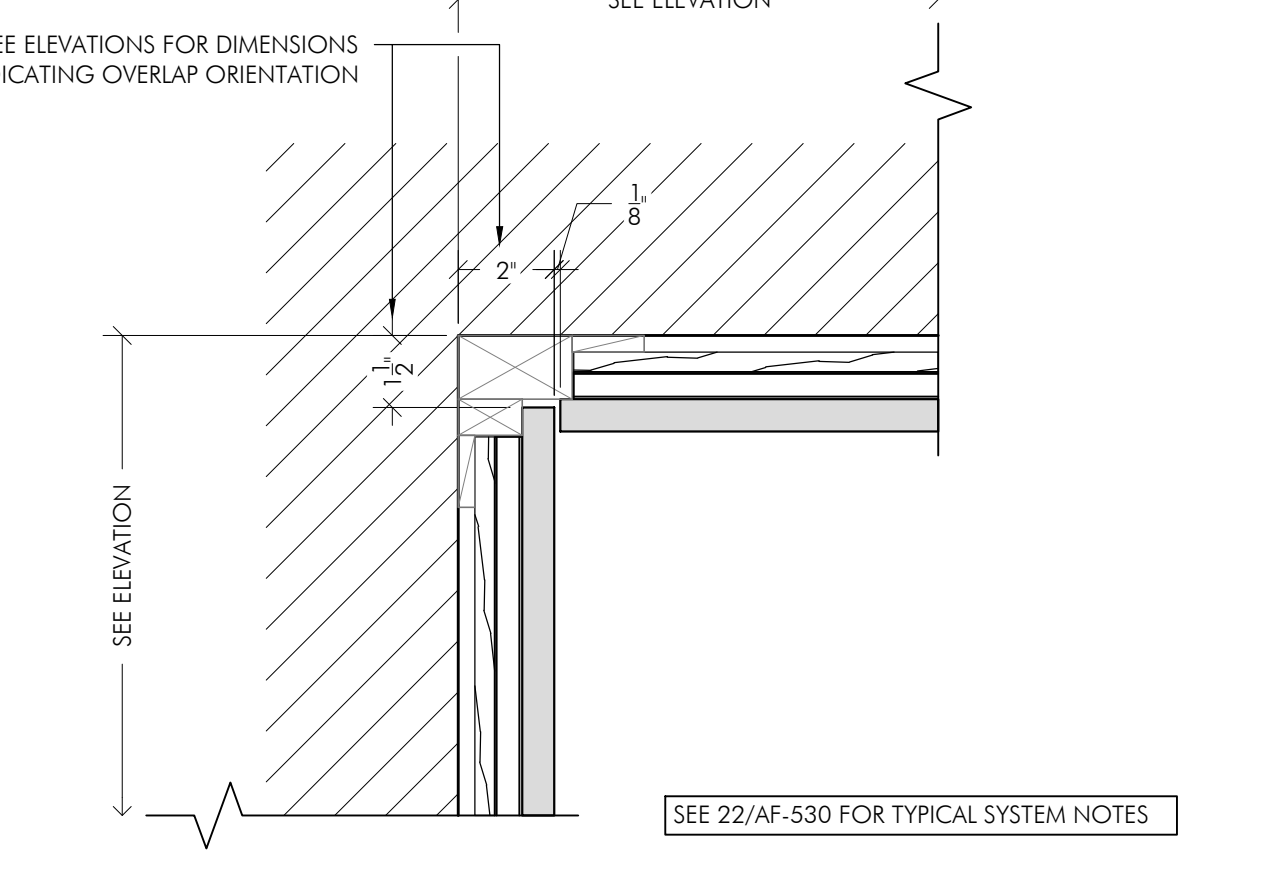
12 CUSTOM ANGLE - TYPE 21
SCALE: 3"=1'-0" REF:



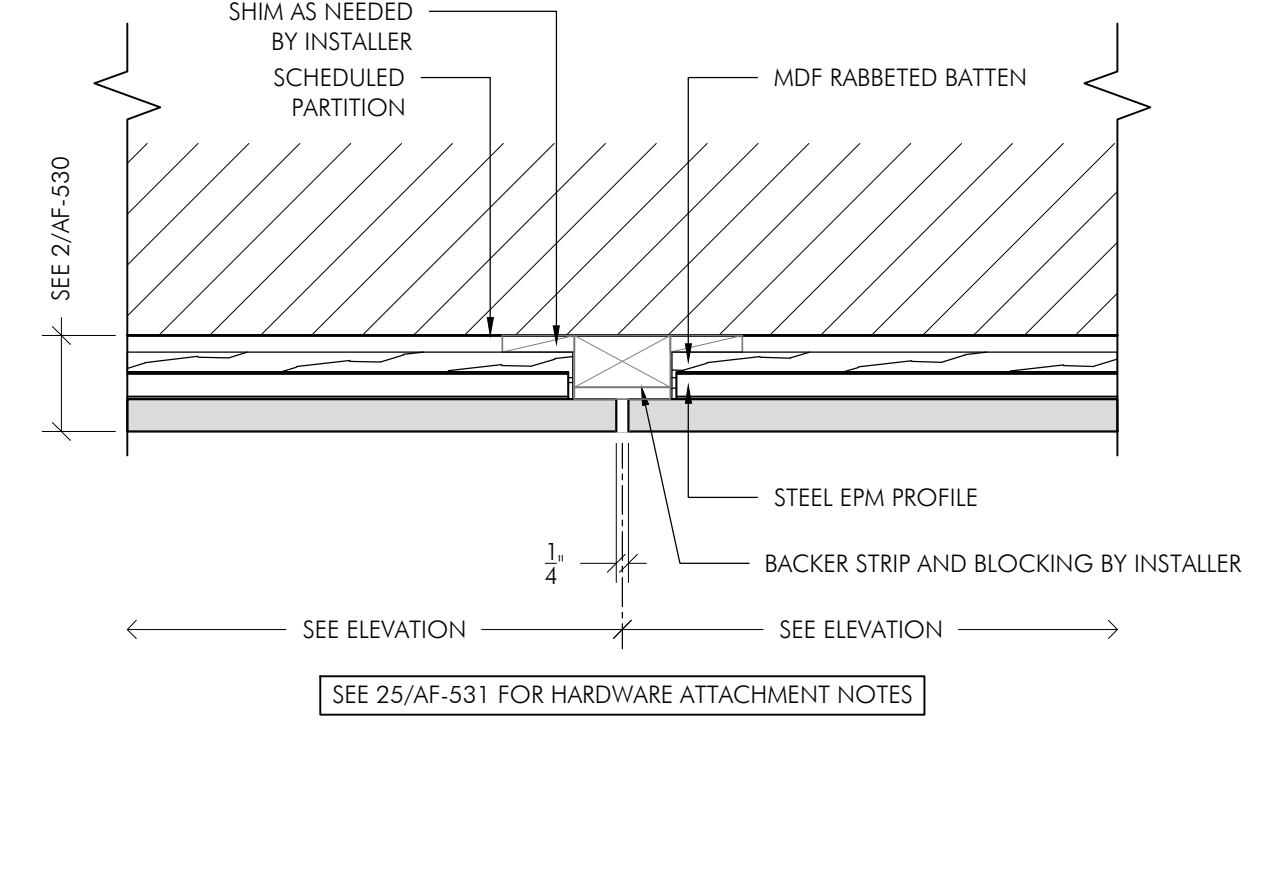
13 BASE DETAIL - SECTION
SCALE: 3"=1'-0" REF:



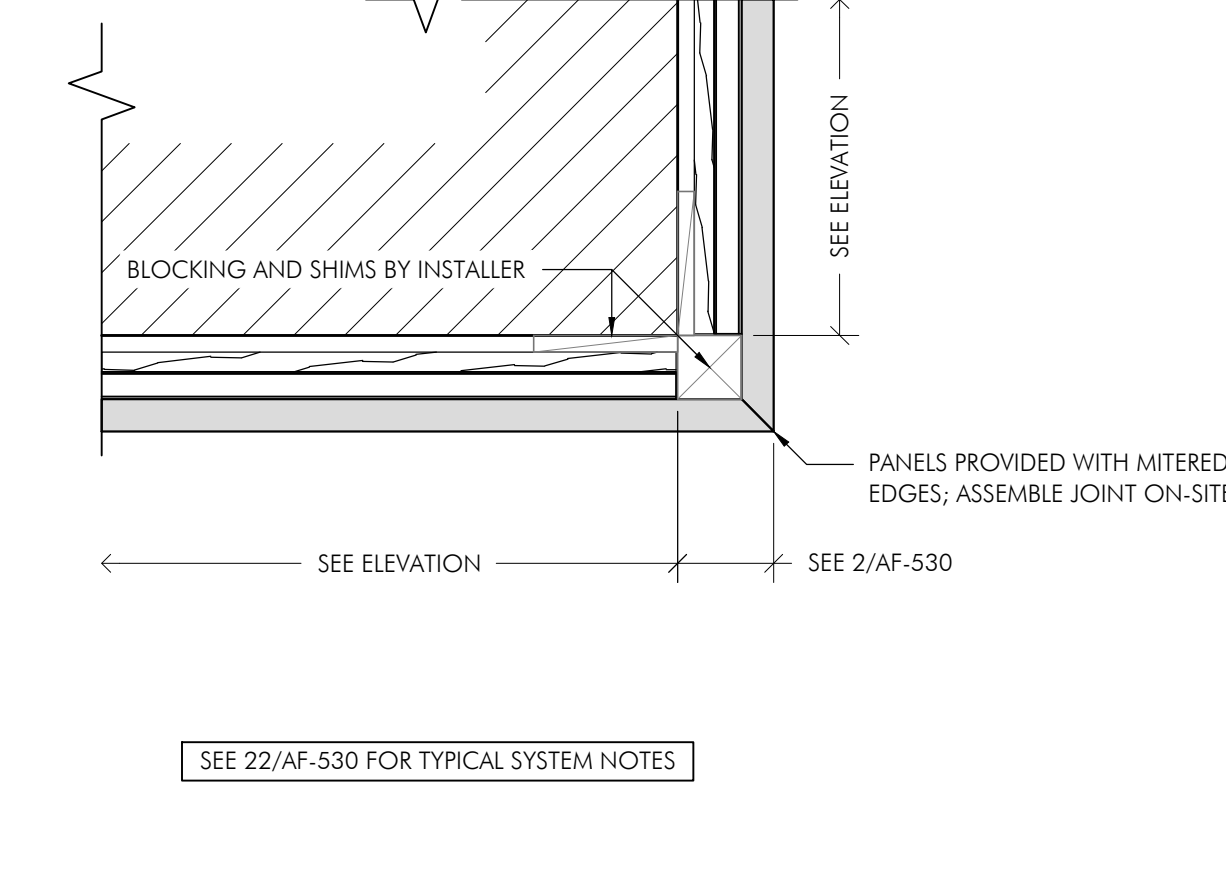
14 CUSTOM ANGLE INSIDE CORNER
SCALE: 3"=1'-0" REF:



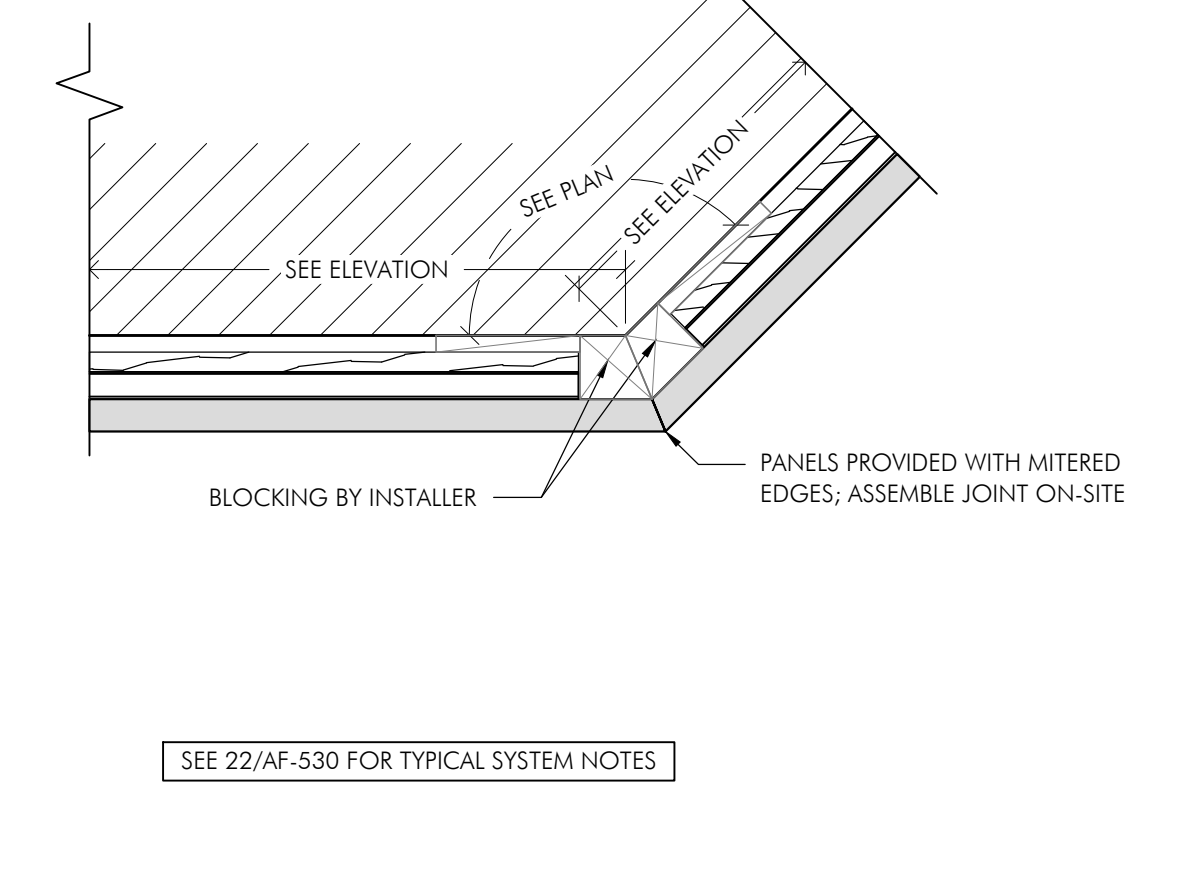
15 INSIDE CORNER - PLAN
SCALE: 3"=1'-0" REF:



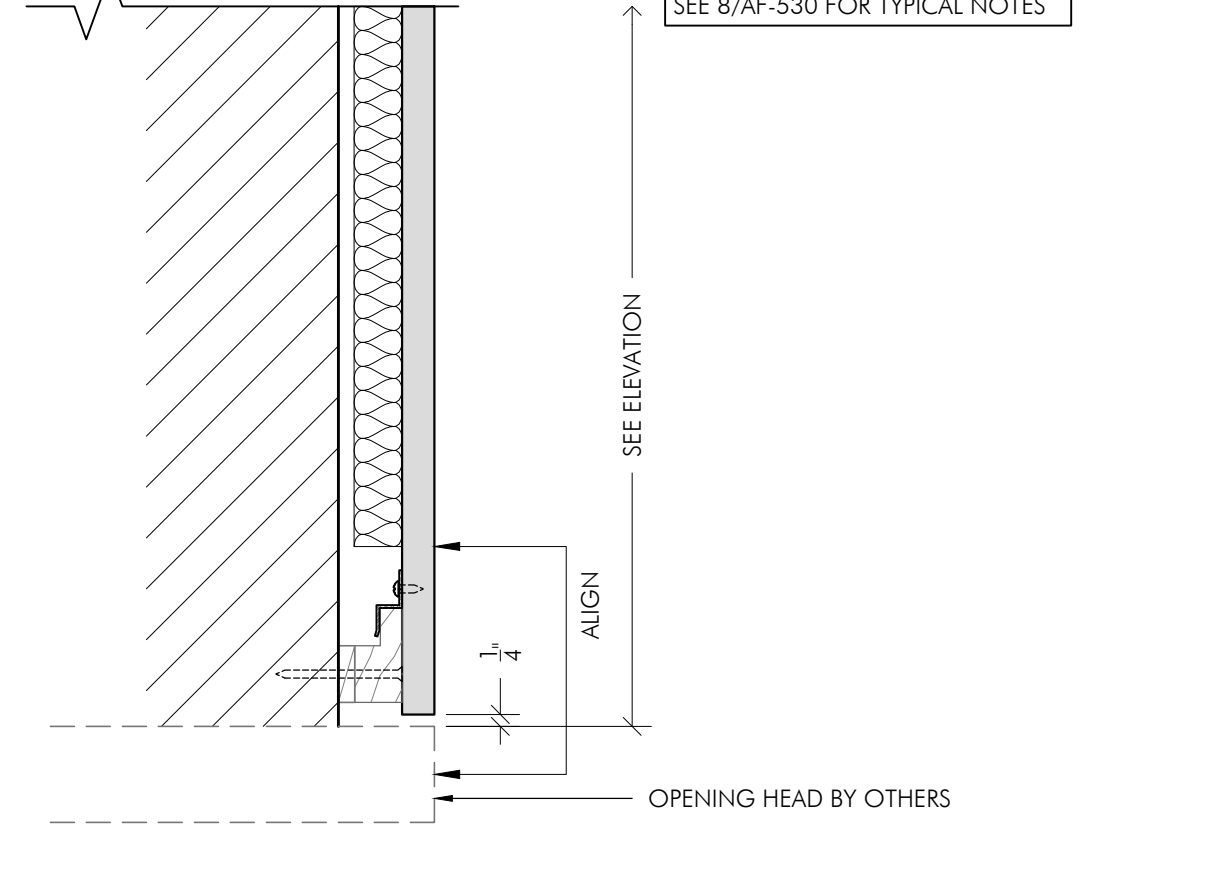
16 REVEAL WITH BACKER - PLAN
SCALE: 3"=1'-0" REF:



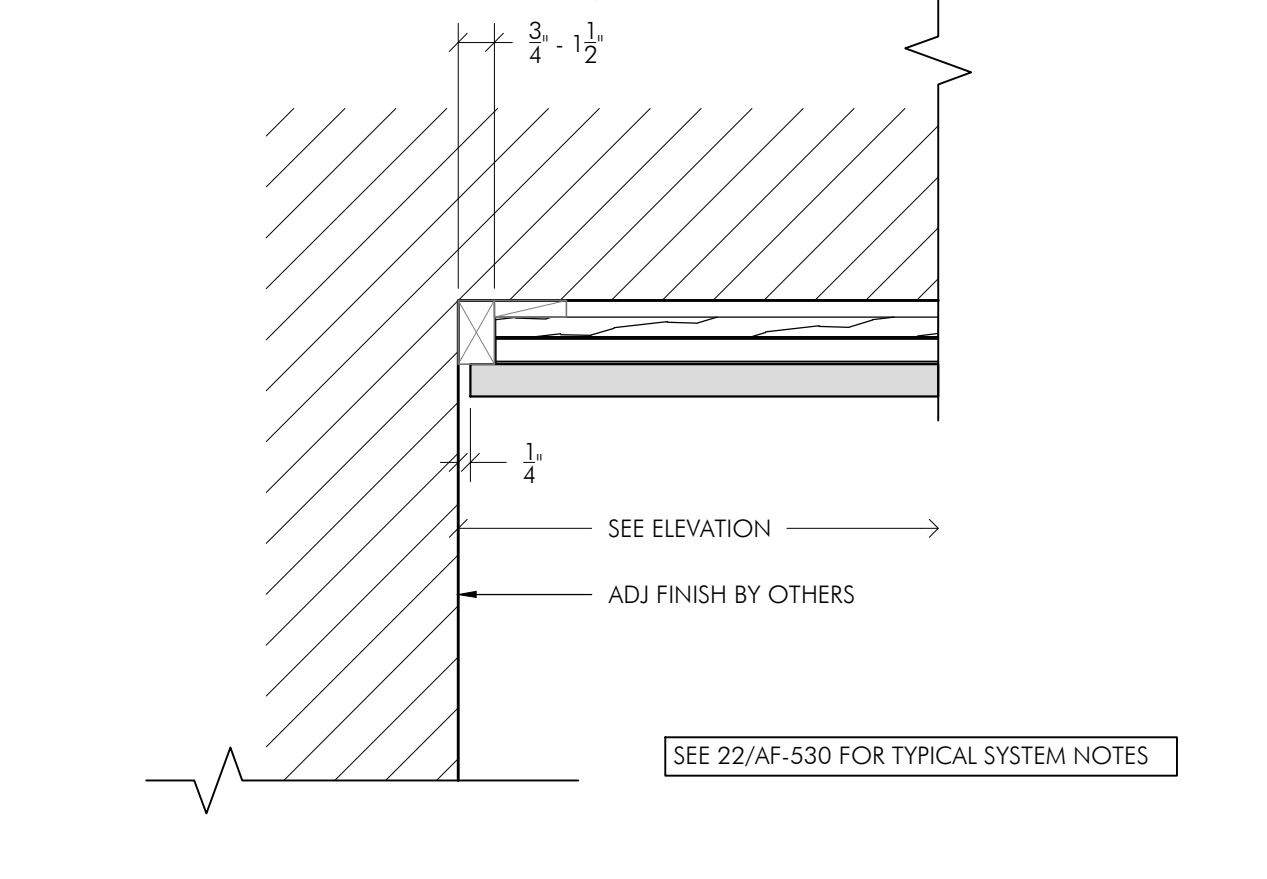
17 OUTSIDE CORNER - MITERED
SCALE: 3"=1'-0" REF:



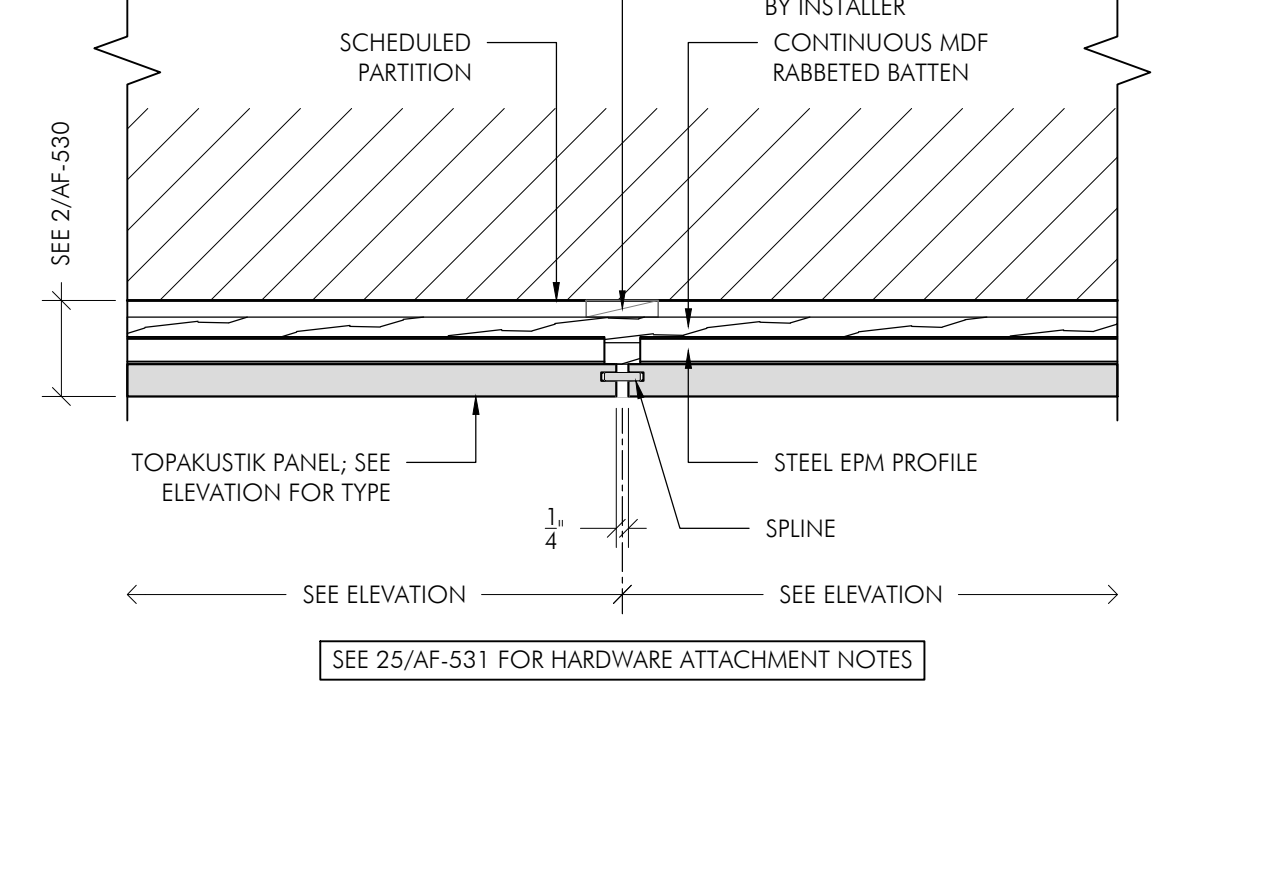
18 CUSTOM ANGLE - MITERED
SCALE: 3"=1'-0" REF:



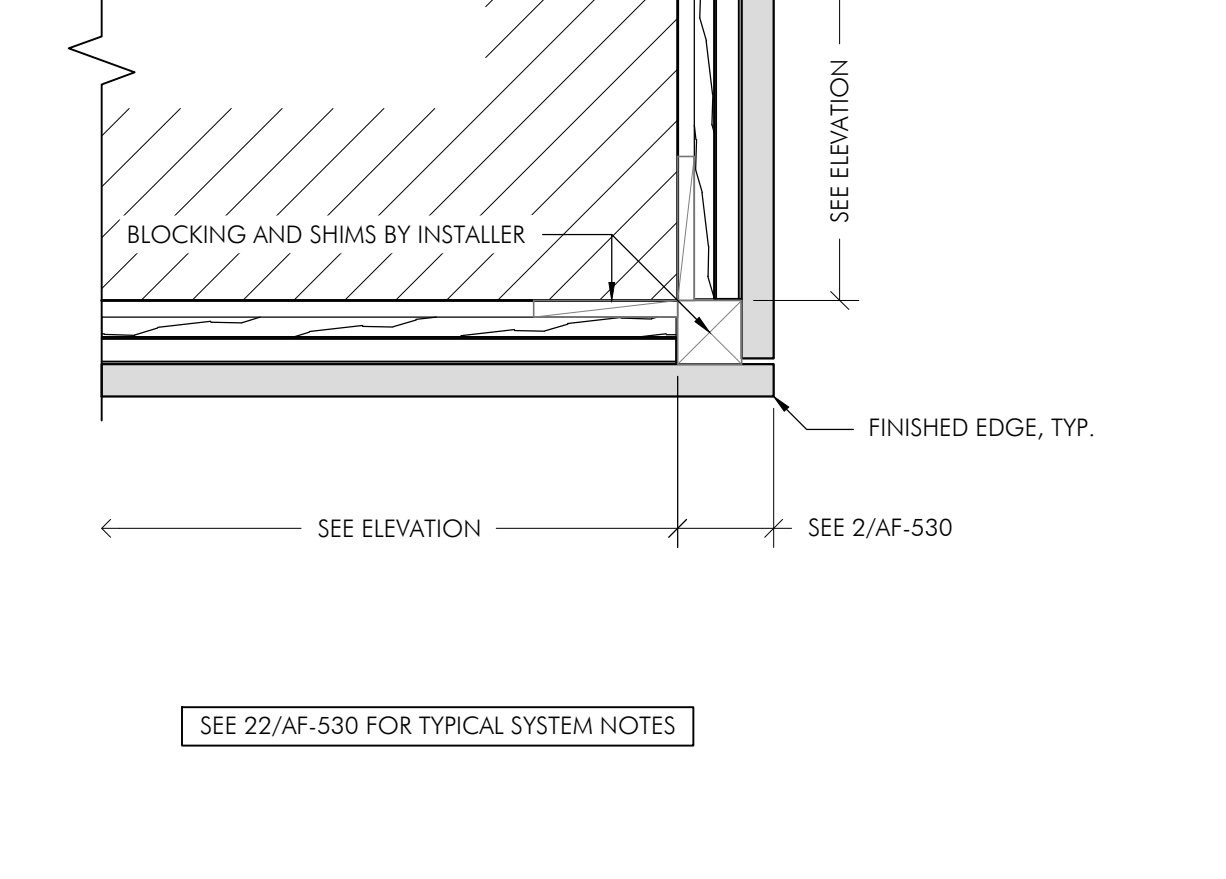
19 OPENING HEAD - SECTION
SCALE: 3"=1'-0" REF:



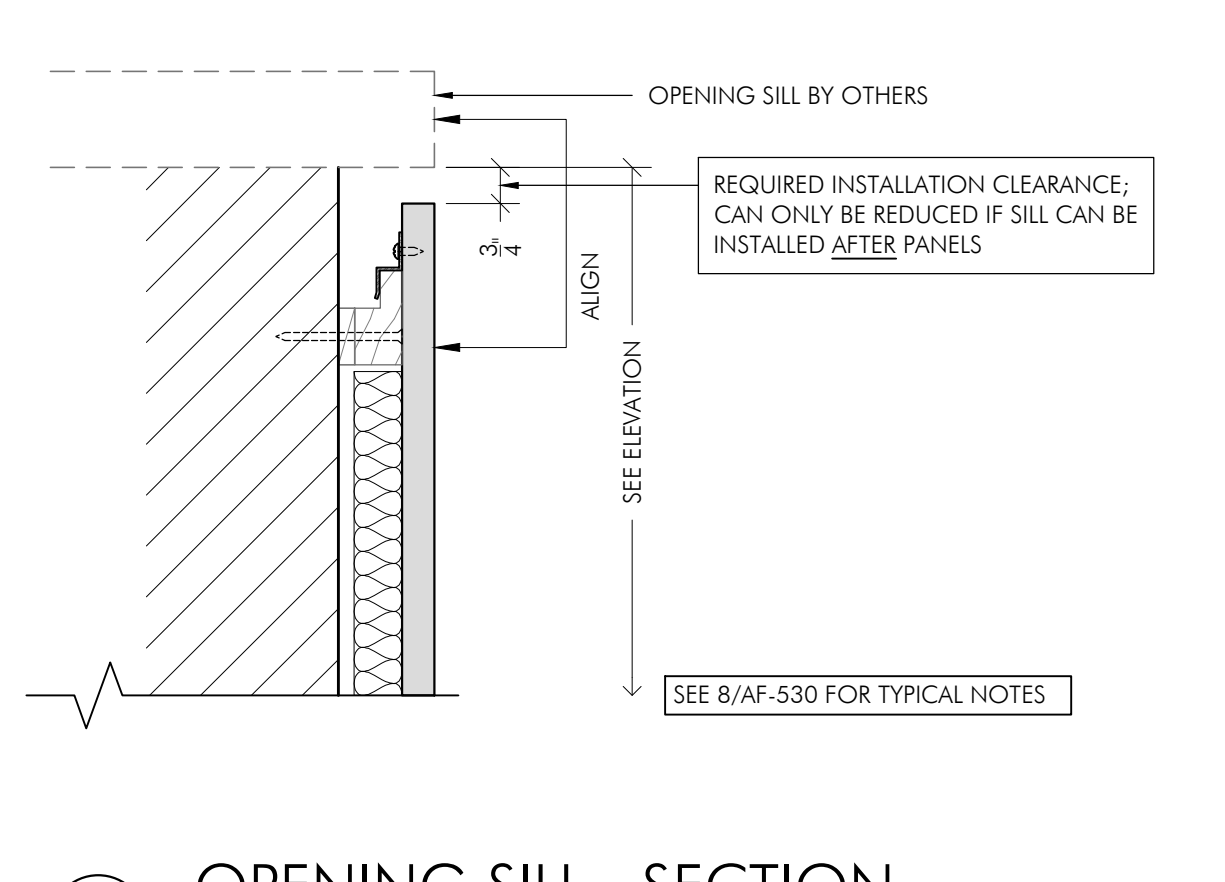
21 INSIDE CORNER - PLAN
SCALE: 3"=1'-0" REF:



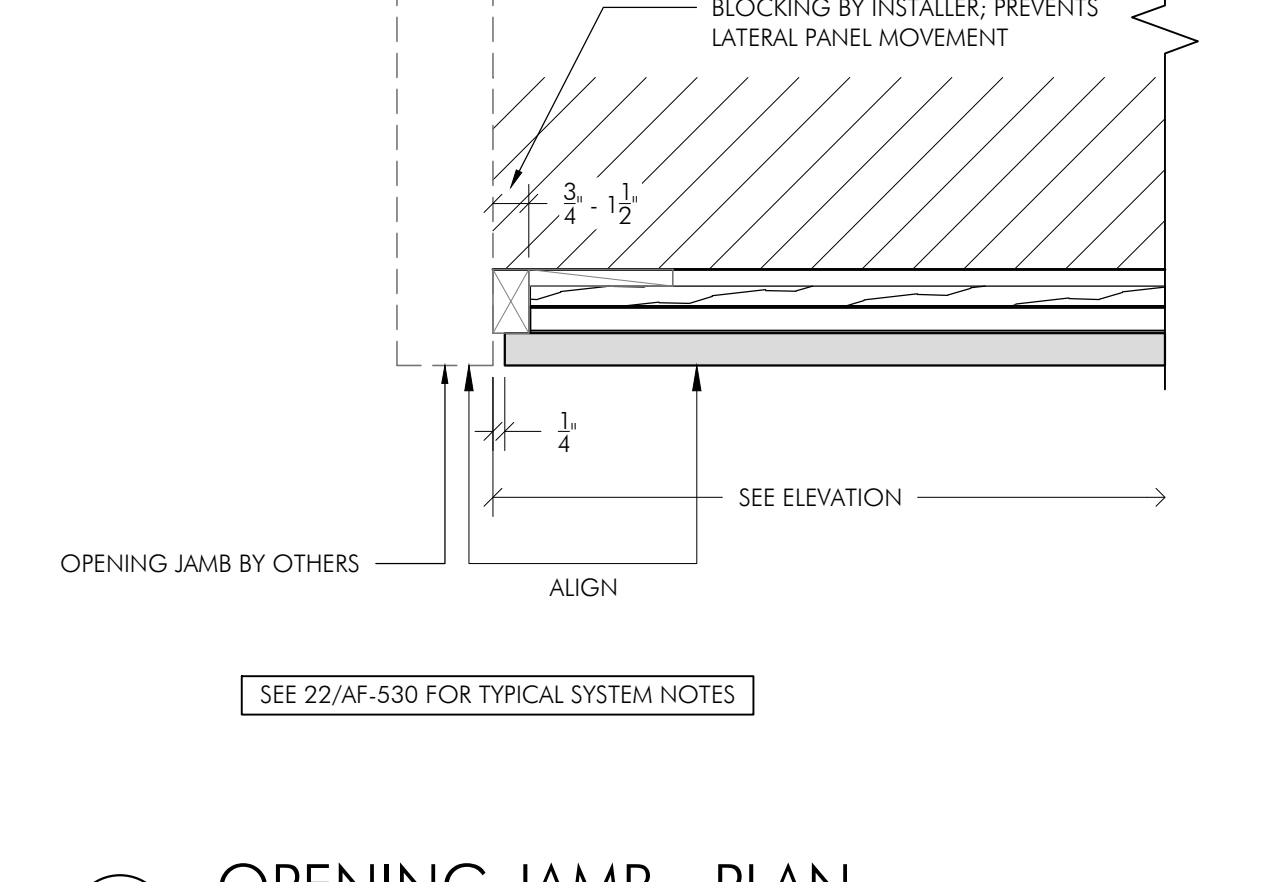
22 REVEAL WITH SPLINE - PLAN
SCALE: 3"=1'-0" REF:



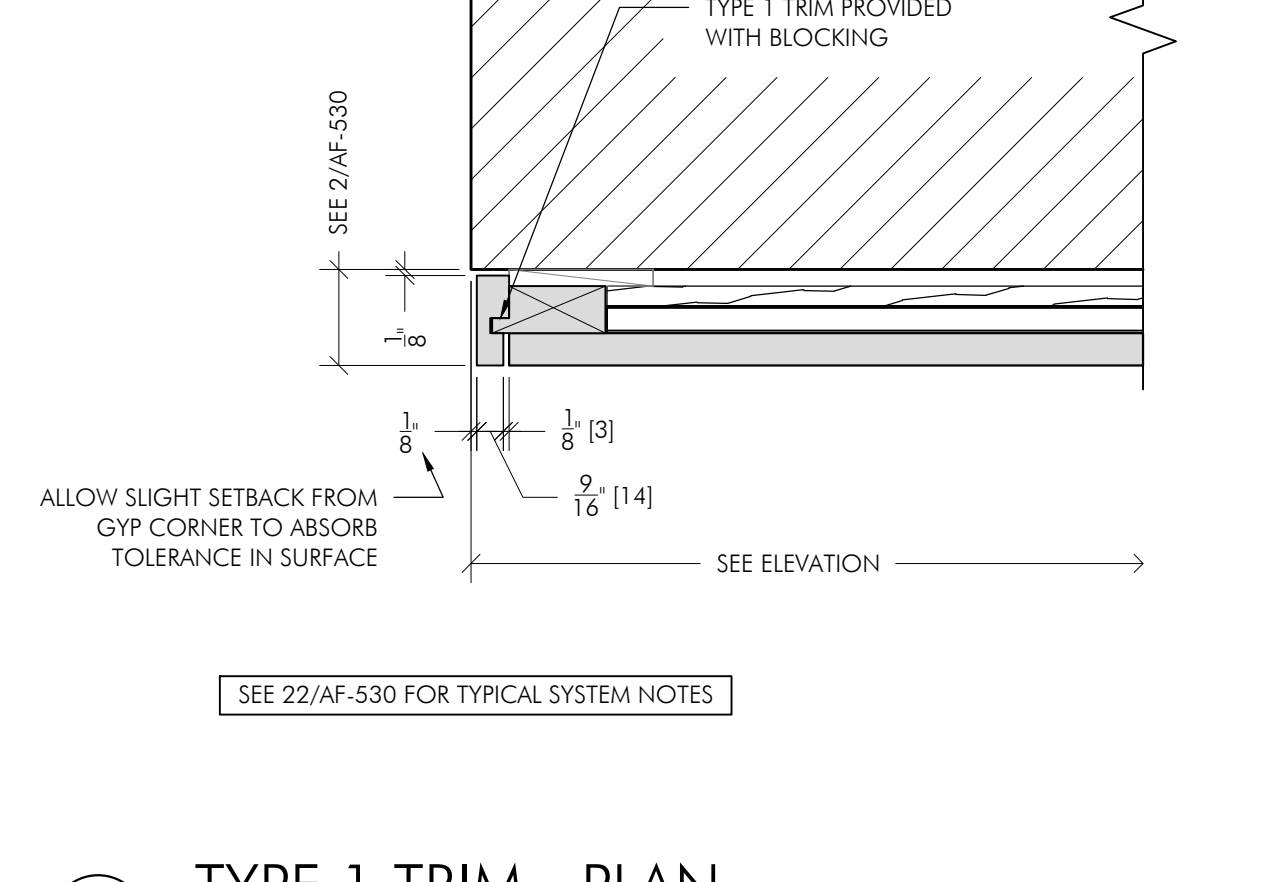
23 OUTSIDE CORNER - OVERLAP
SCALE: 3"=1'-0" REF:



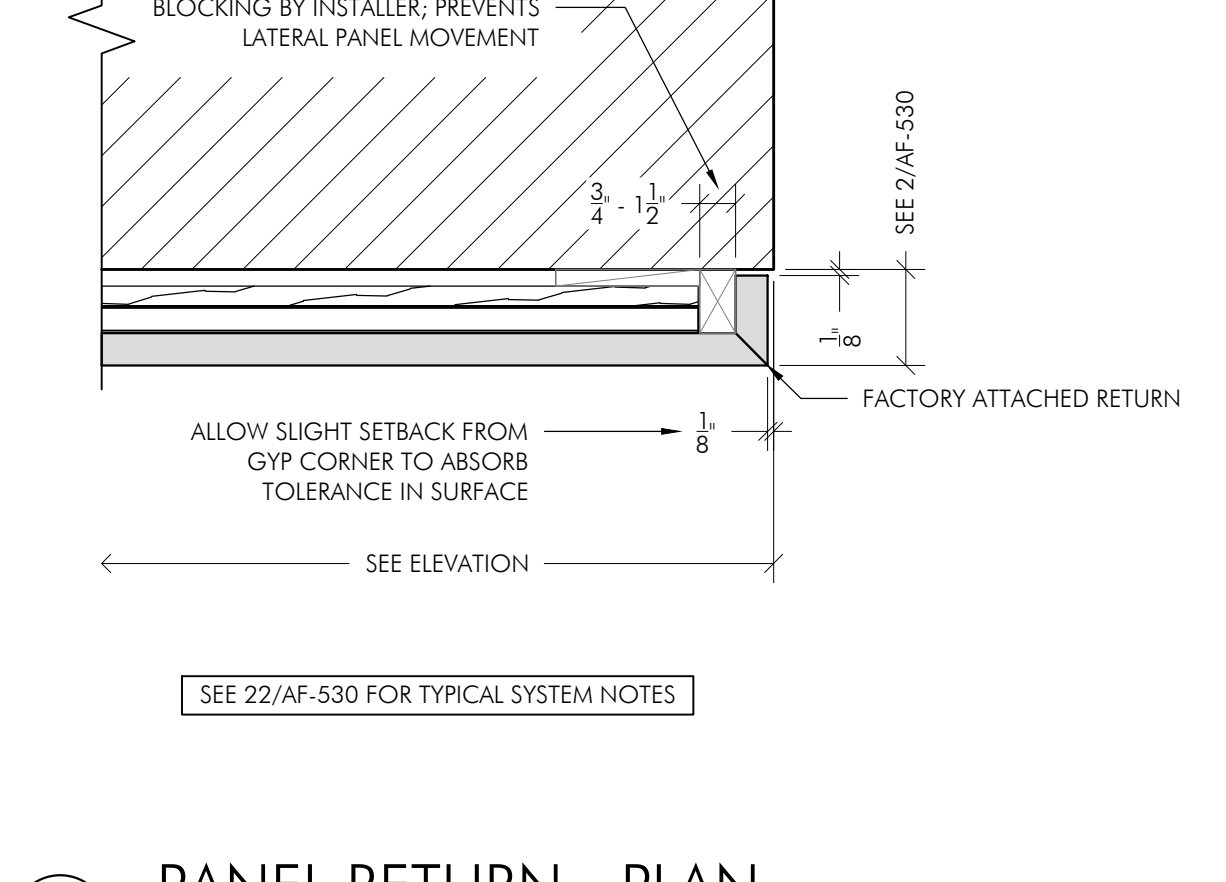
25 OPENING SILL - SECTION
SCALE: 3"=1'-0" REF:



26 OPENING JAMB - PLAN
SCALE: 3"=1'-0" REF:



27 TYPE 1 TRIM - PLAN
SCALE: 3"=1'-0" REF:

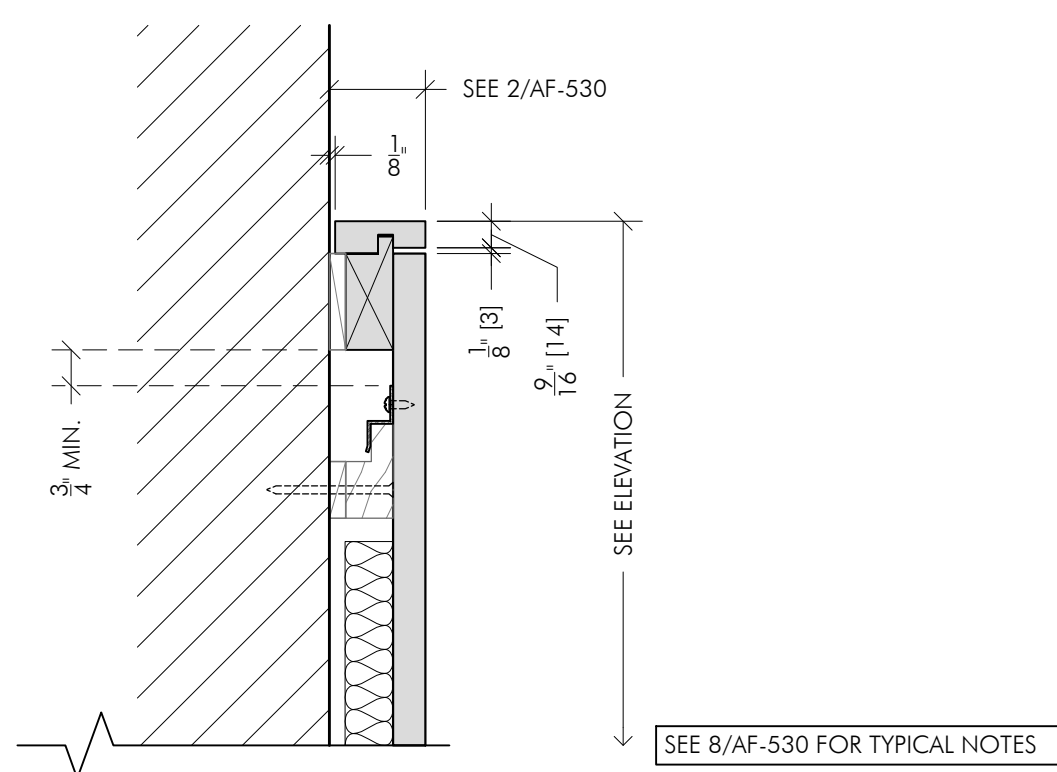


29 PANEL RETURN - PLAN
SCALE: 3"=1'-0" REF:

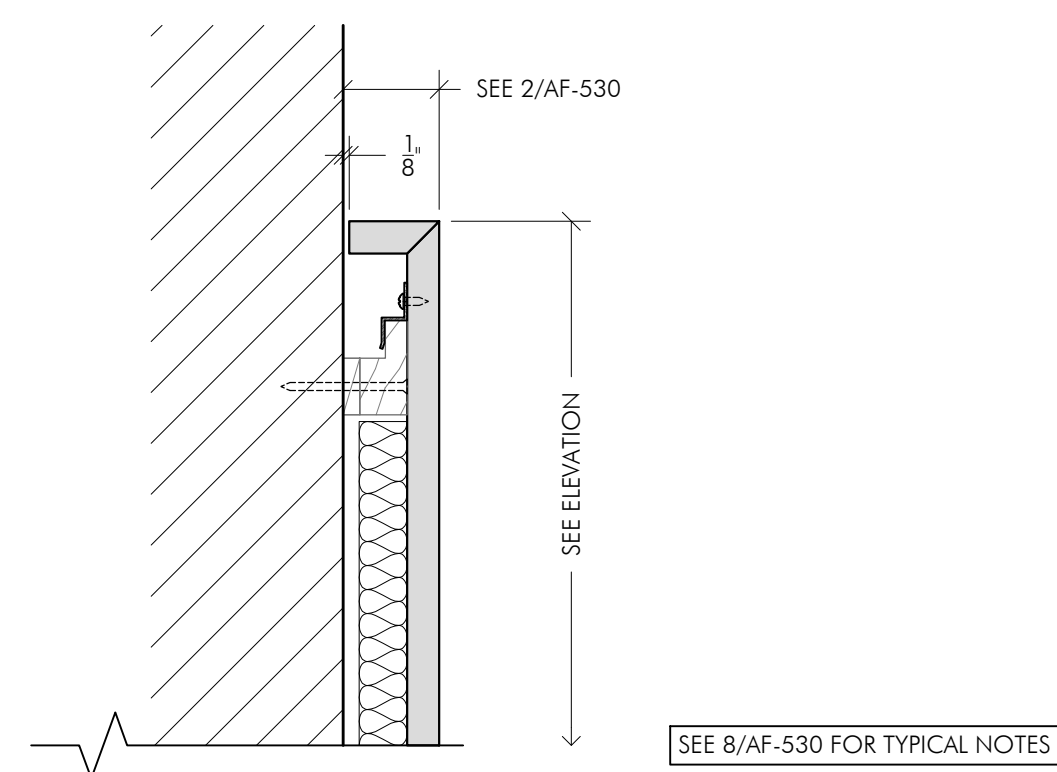
PROJECT: Template TOPAKUSTIK

SHEET TITLE: EPM DETAILS 1

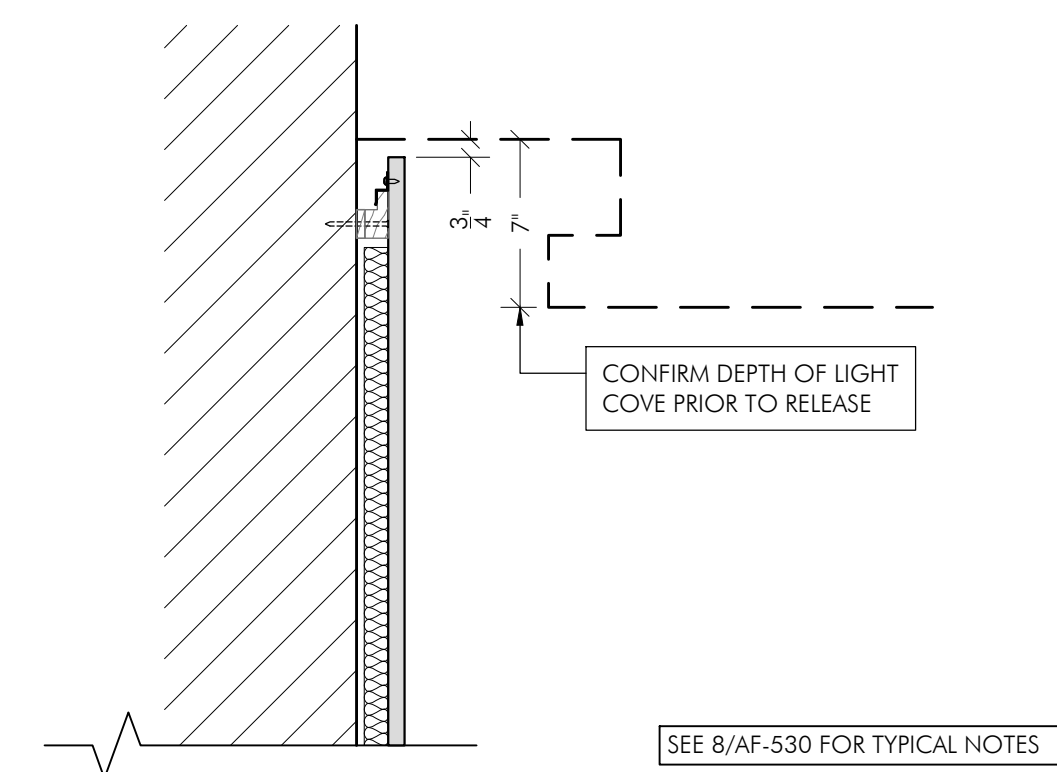
REVISIONS:	ISSUE DATE: 4/16/2024	SCALE: NOTED	3 RD ANG. PROJ.
PROJ MGR:	DRAWN BY:	PAGE NO: 20/33	REV NO: 0
PRODUCTION TOLERANCE: 0" - 36" = 1/32"		AF-530	
±1/32" PER 36" OF PRODUCT			



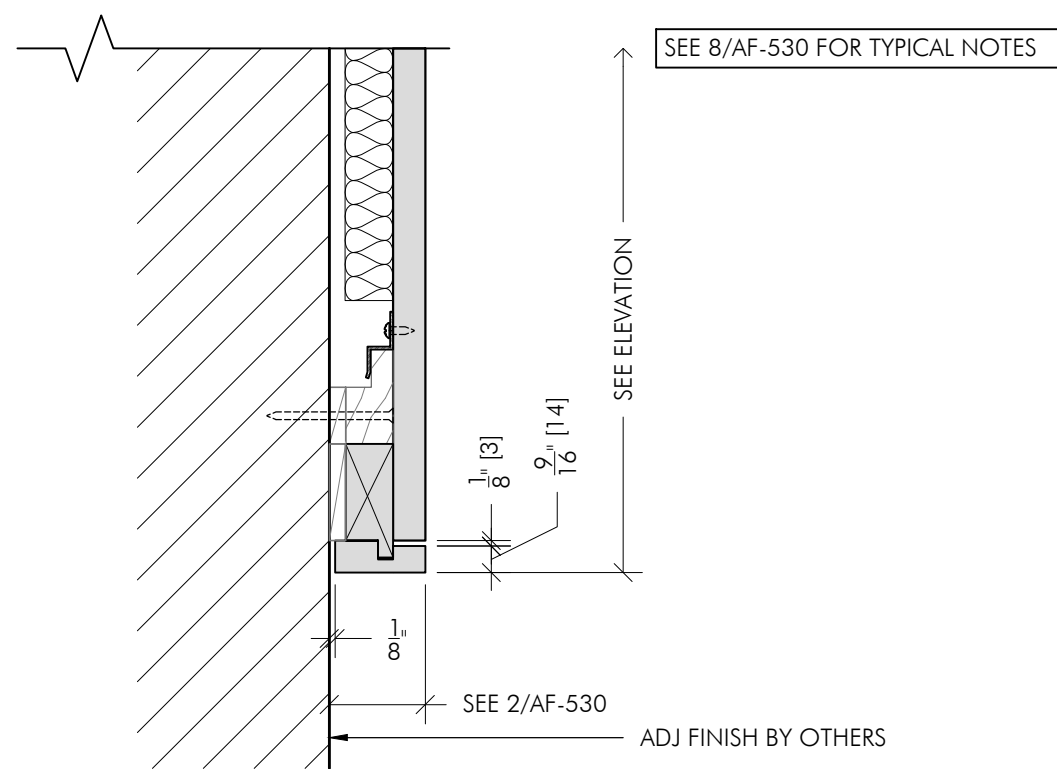
1 HEAD DETAIL - TYPE 1 TRIM
SCALE: 3"=1'-0" REF:



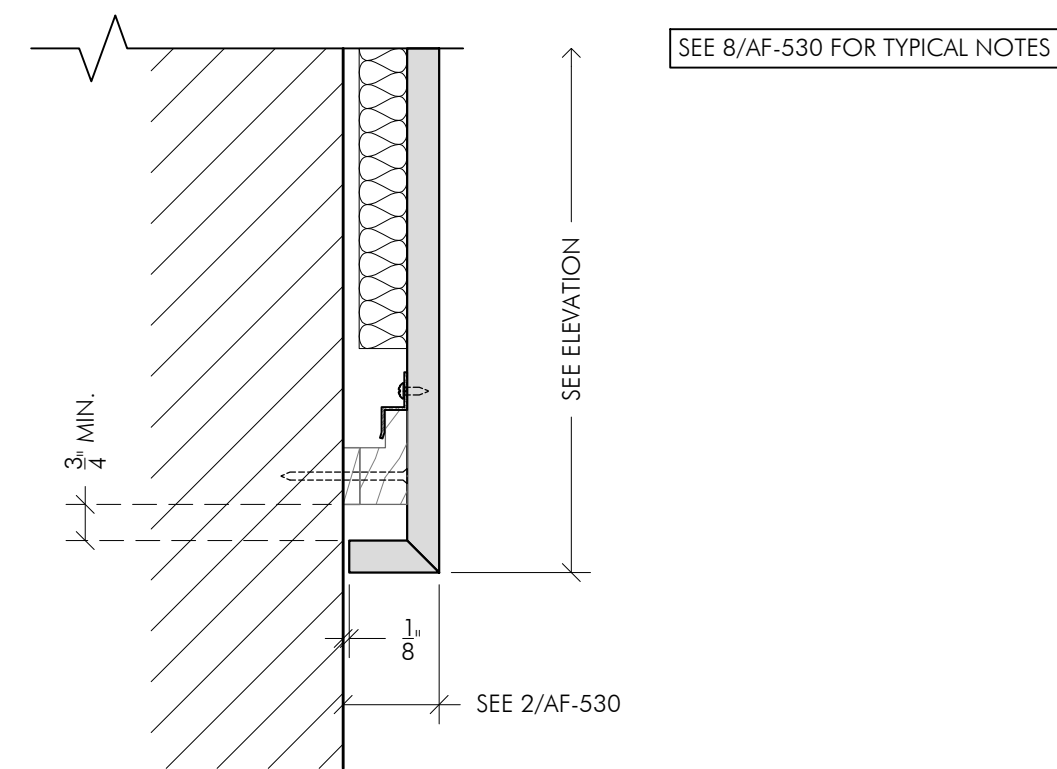
2 HEAD DETAIL - PANEL RETURN
SCALE: 3"=1'-0" REF:



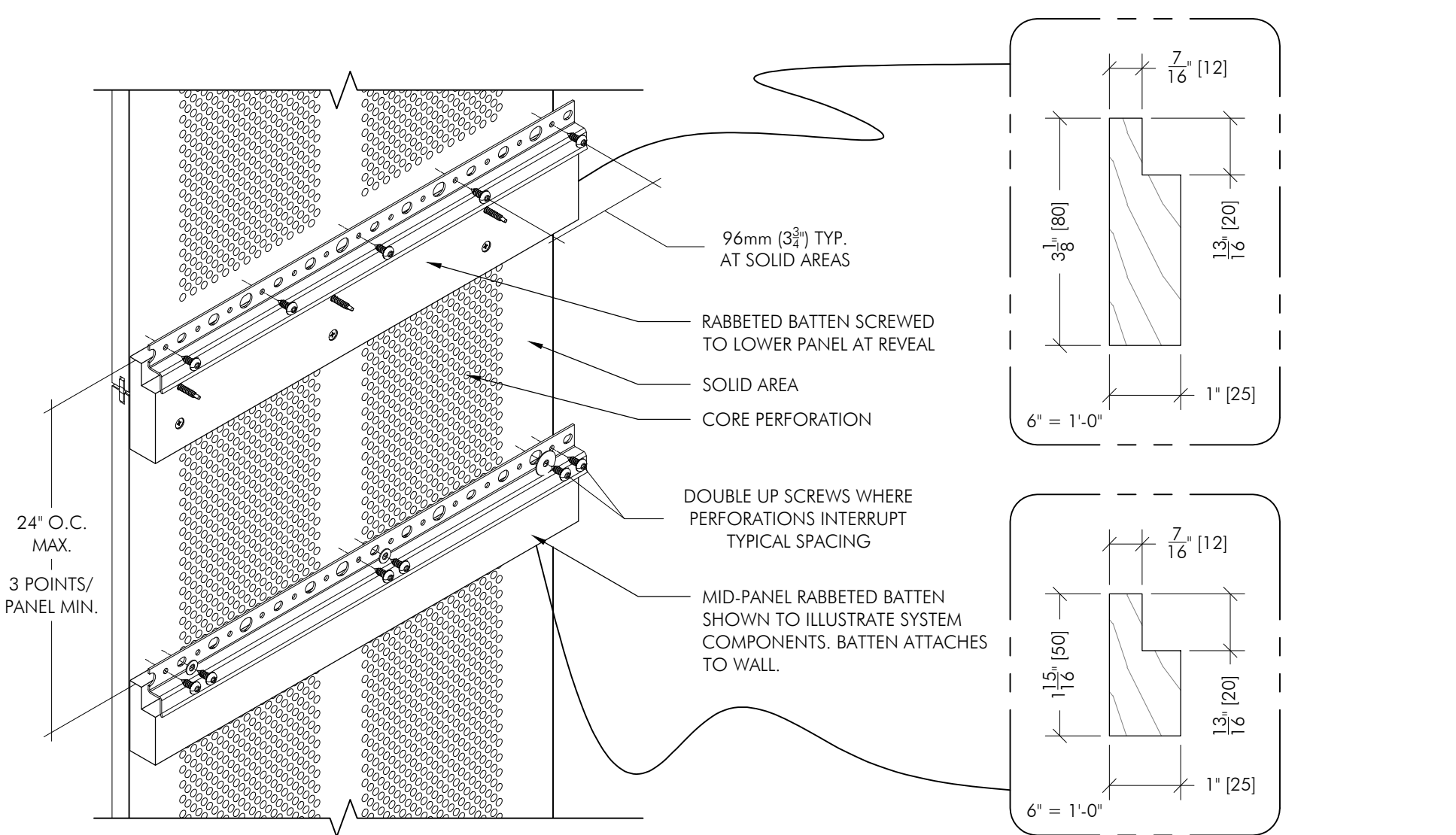
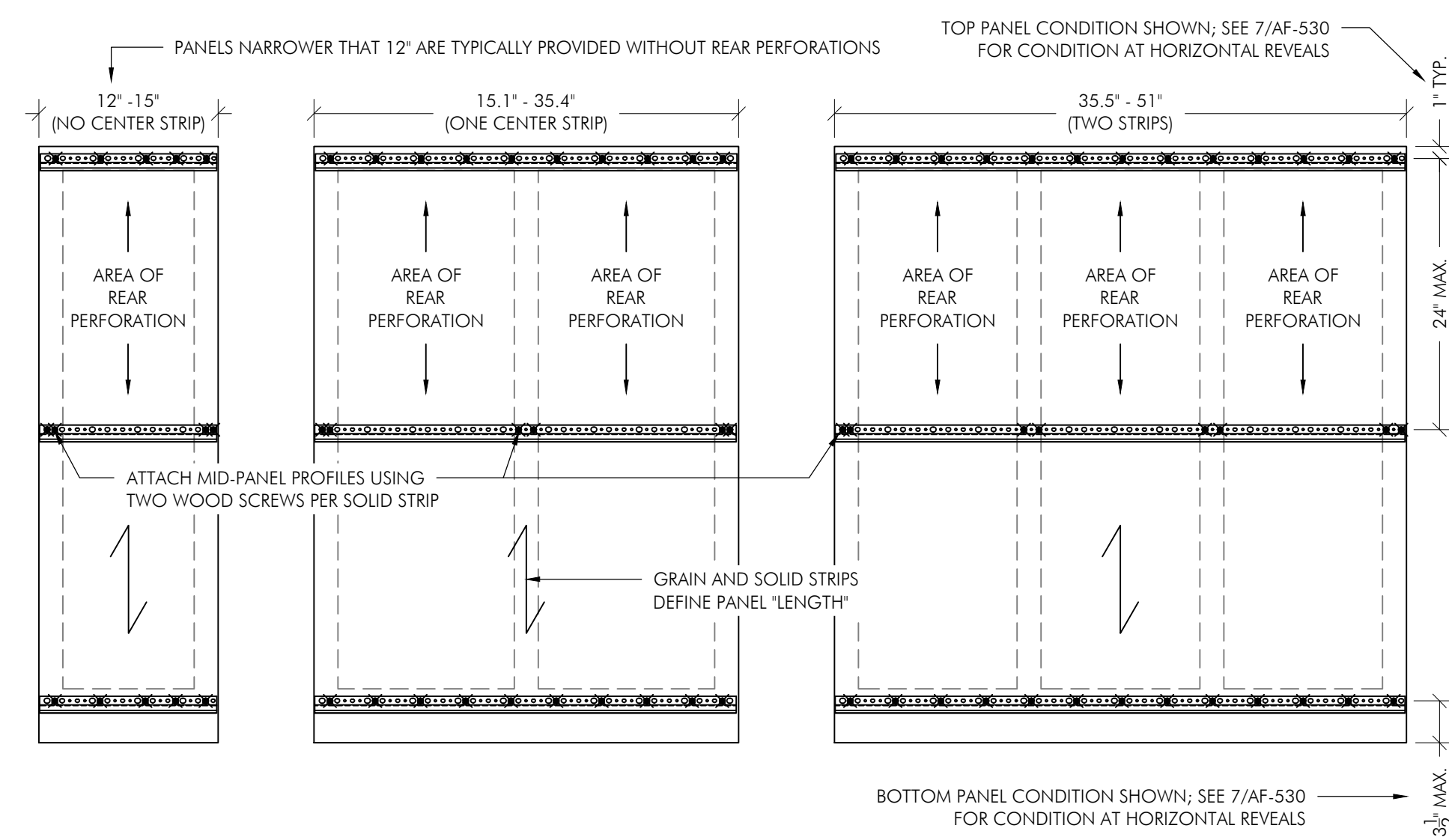
3 HEAD DETAIL - LIGHT COVE
SCALE: 1 1/2"=1'-0" REF:



7 BOTTOM OF SCOPE - TYPE 1 TRIM
SCALE: 3"=1'-0" REF:

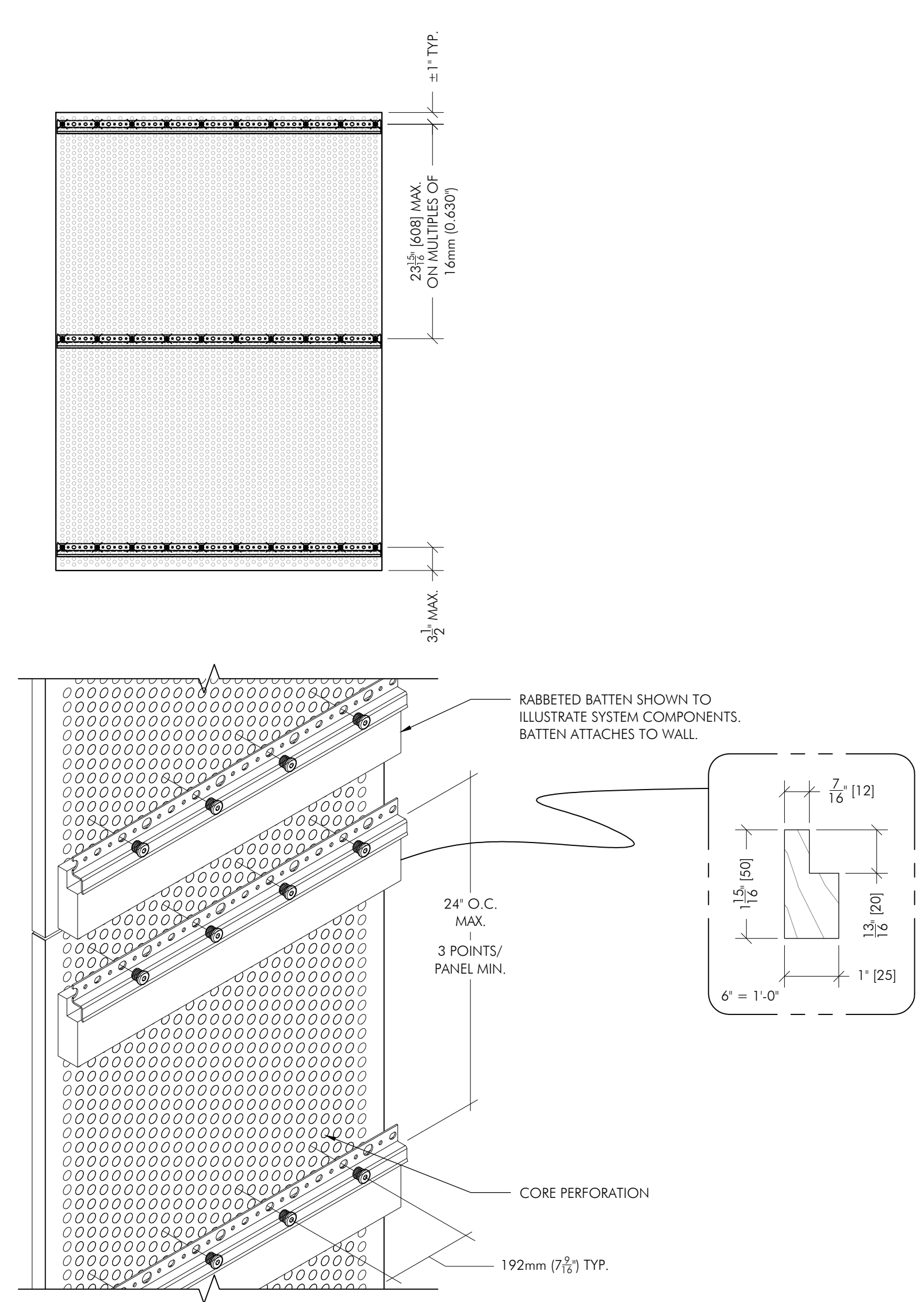


8 BOTTOM OF SCOPE - PANEL RETURN
SCALE: 3"=1'-0" REF:



25 TYPICAL PANEL PREP. / HARDWARE ATTACHMENT
SCALE: NTS

MICRO PANEL TYPES
CLASSIC & PERFO PANEL TYPES



TYPICAL

PROJECT: Template		TOP(A)K(U)S(T)I(K)	
SHEET TITLE: EPM DETAILS 2			
REVISIONS:	ISSUE DATE: 1/4/2024	SCALE:	3rd ANG. PROJ.
△	PROJ MGR:	NOTED	PROJ
△	DRAWN BY:	19/29	REV NO: 0
△	PRODUCTION TOLERANCE:	0.36 ± 1/32"	
△		±1/32" PER 36" OF PRODUCT	