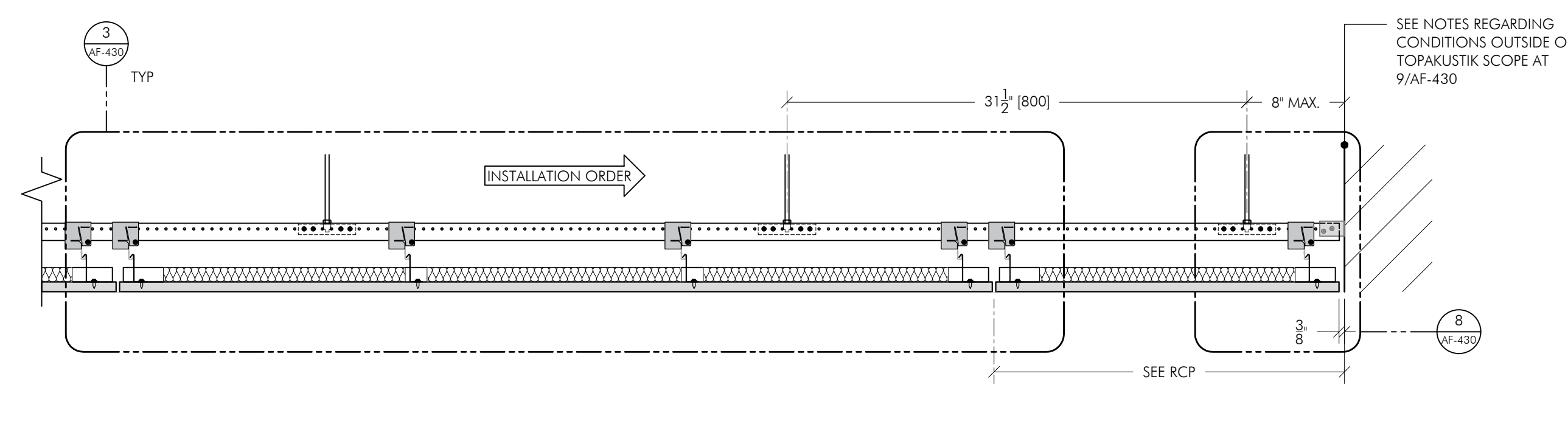


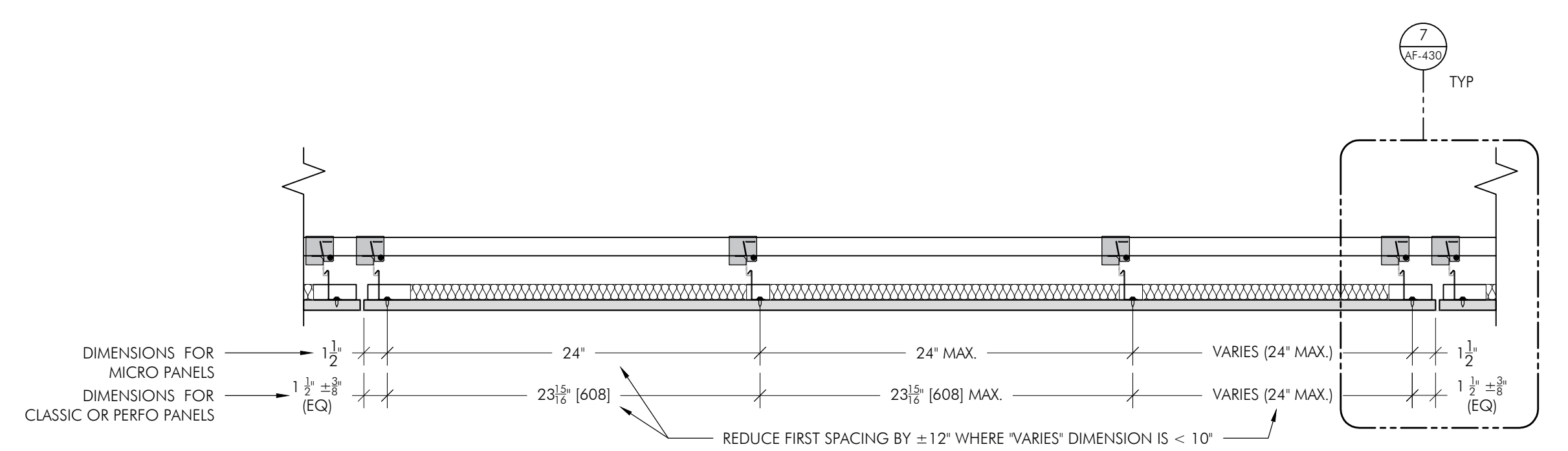
1 TYPICAL SECTION DETAIL - LONGITUDINAL
SCALE: 1 1/2"=1'-0"

SYSTEM DETAIL - EXACT SECTION
MAY NOT OCCUR ON THIS PROJECT



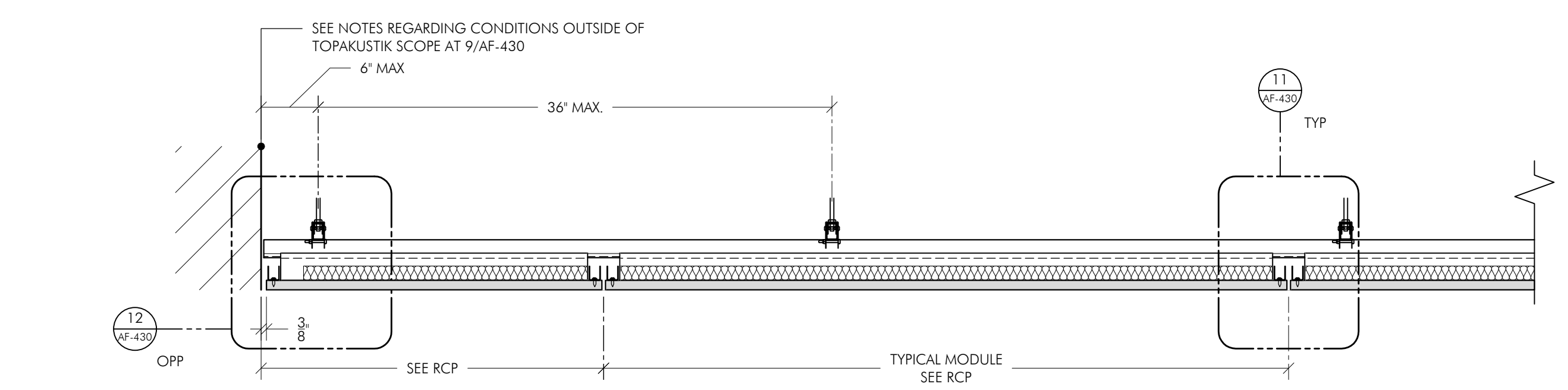
2 TYPICAL SECTION DETAIL - LONGITUDINAL
SCALE: 1 1/2"=1'-0"

SYSTEM DETAIL - EXACT SECTION
MAY NOT OCCUR ON THIS PROJECT

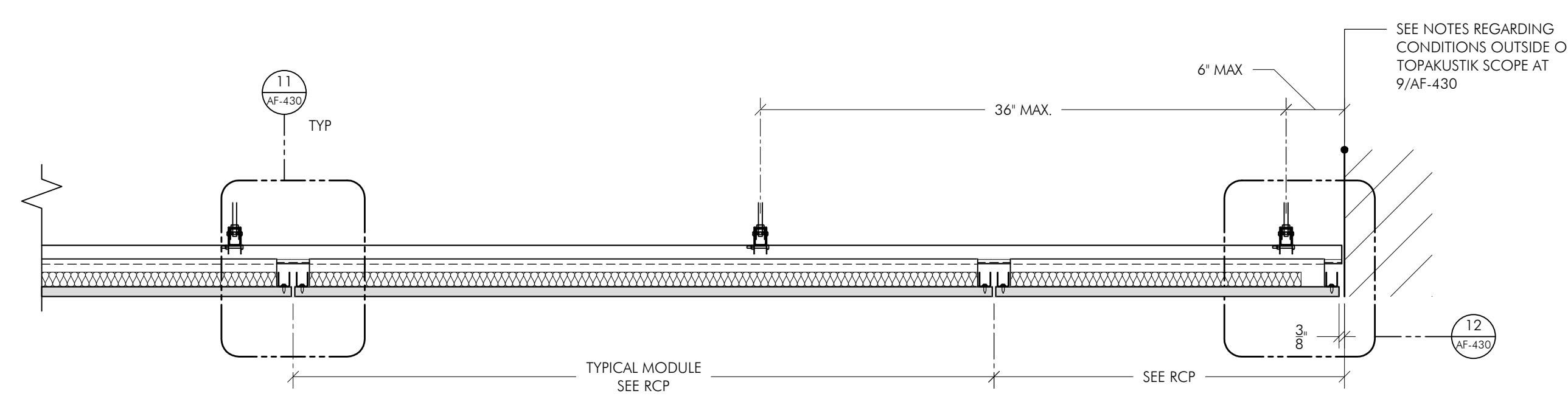


3 TYPICAL SECTION DETAIL - LONGITUDINAL
SCALE: 1 1/2"=1'-0"

REF: 2/AF-430

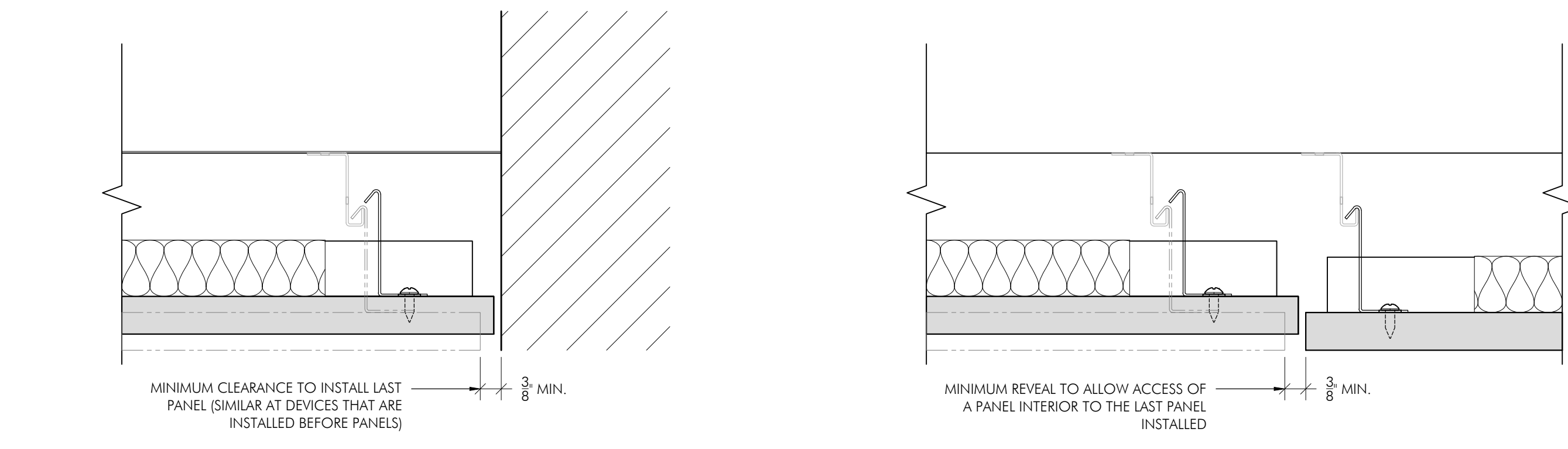


4 TYPICAL SECTION DETAIL - TRANSVERSE
SCALE: 1 1/2"=1'-0"



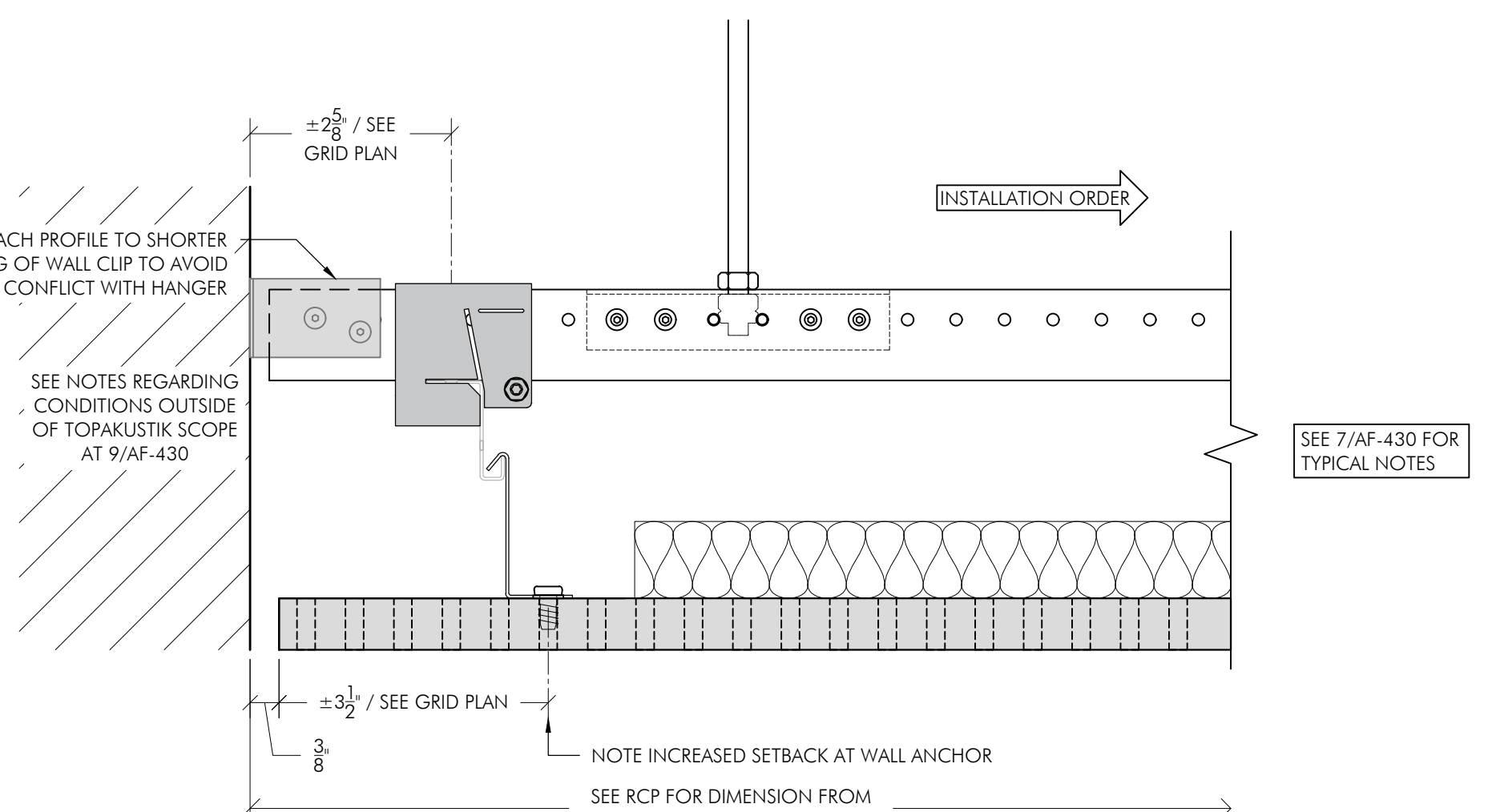
5 TYPICAL SECTION DETAIL - TRANSVERSE
SCALE: 1 1/2"=1'-0"

SYSTEM DETAIL - EXACT SECTION
MAY NOT OCCUR ON THIS PROJECT



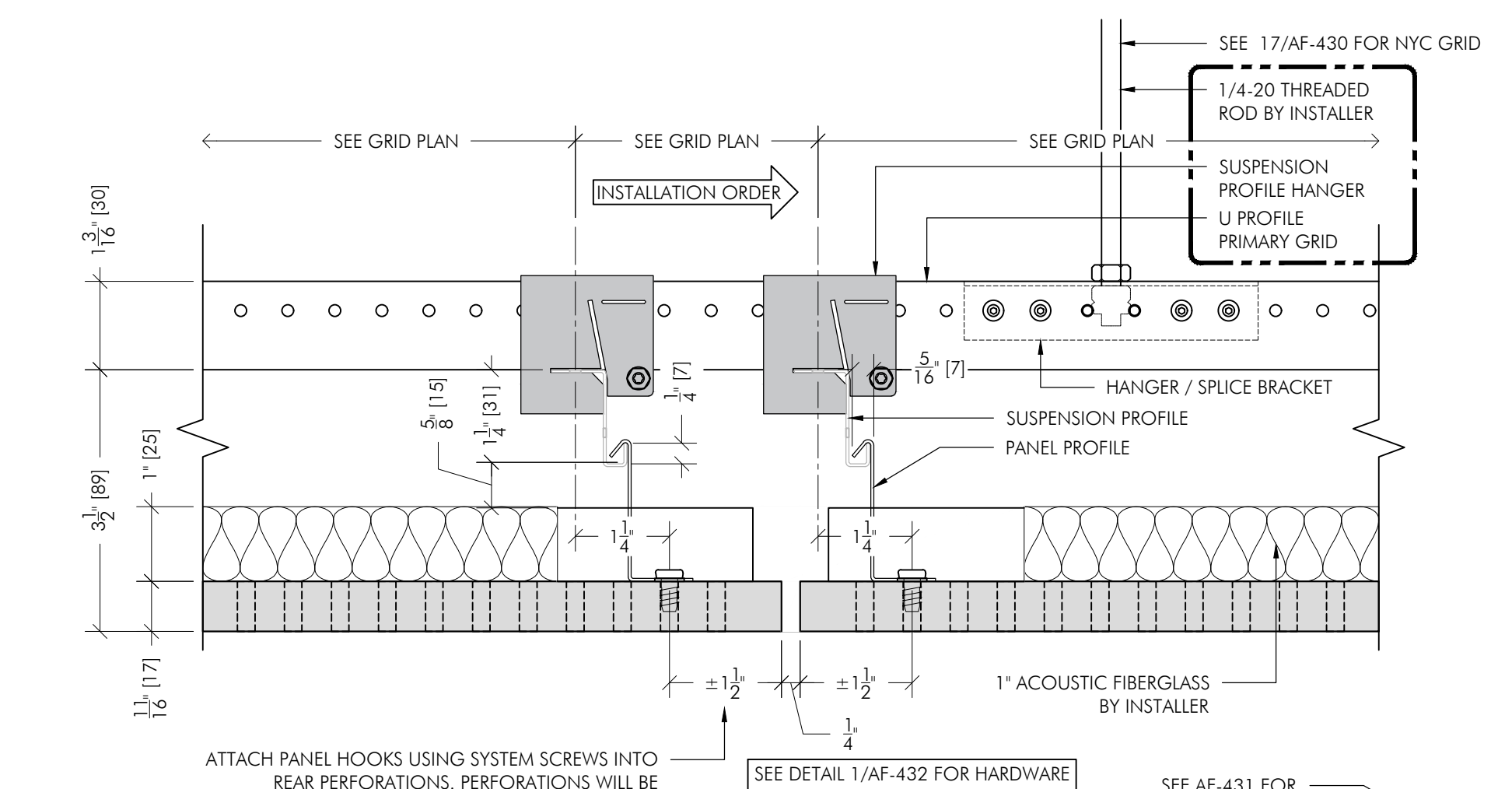
5 PANEL ACCESS / INSTALL CLEARANCE
SCALE: 6"=1'-0"

REF: TYPICAL



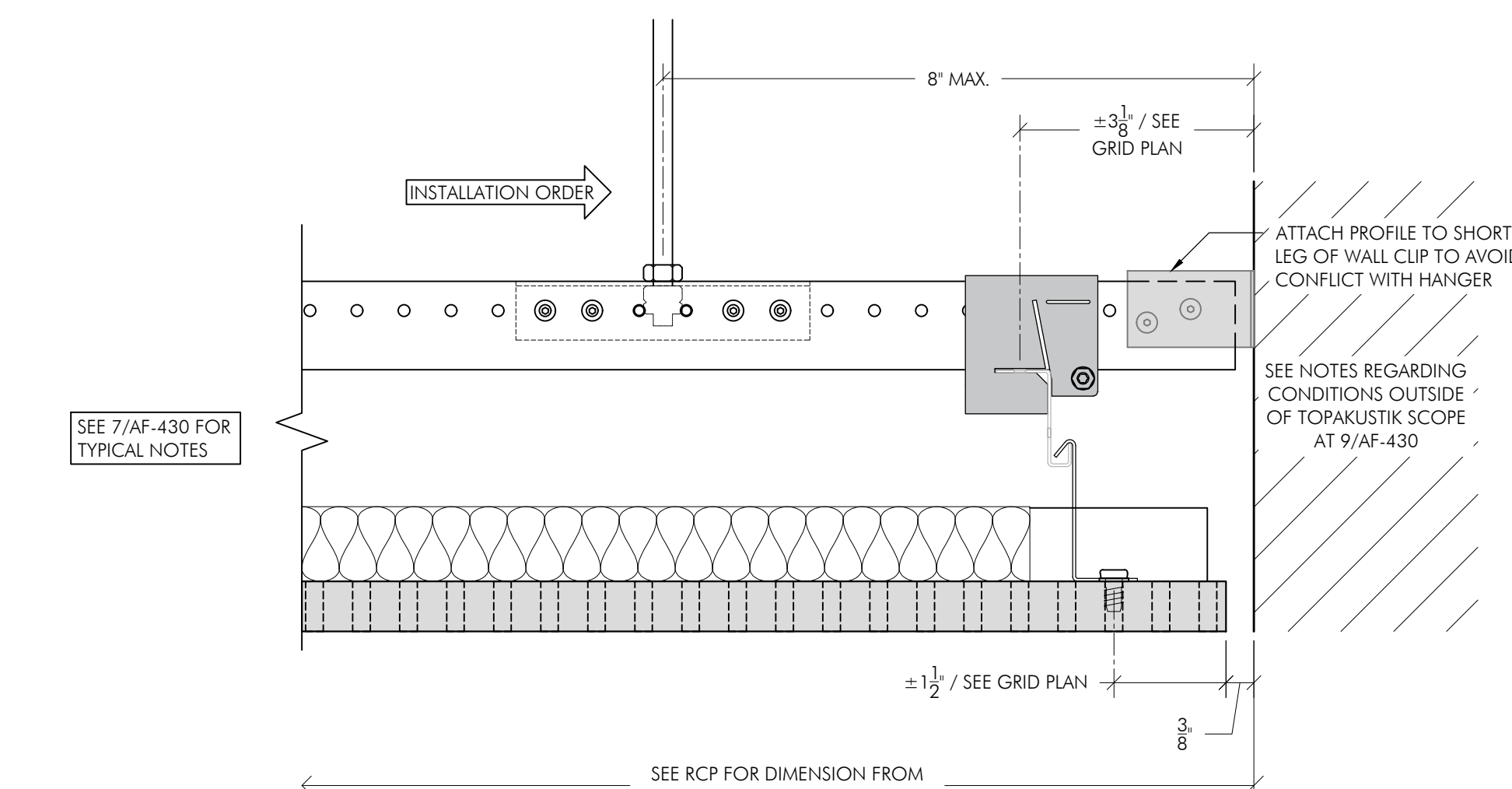
6 LONGITUDINAL SECTION AT PERIMETER
SCALE: 6"=1'-0"

REF: 1/AF-430



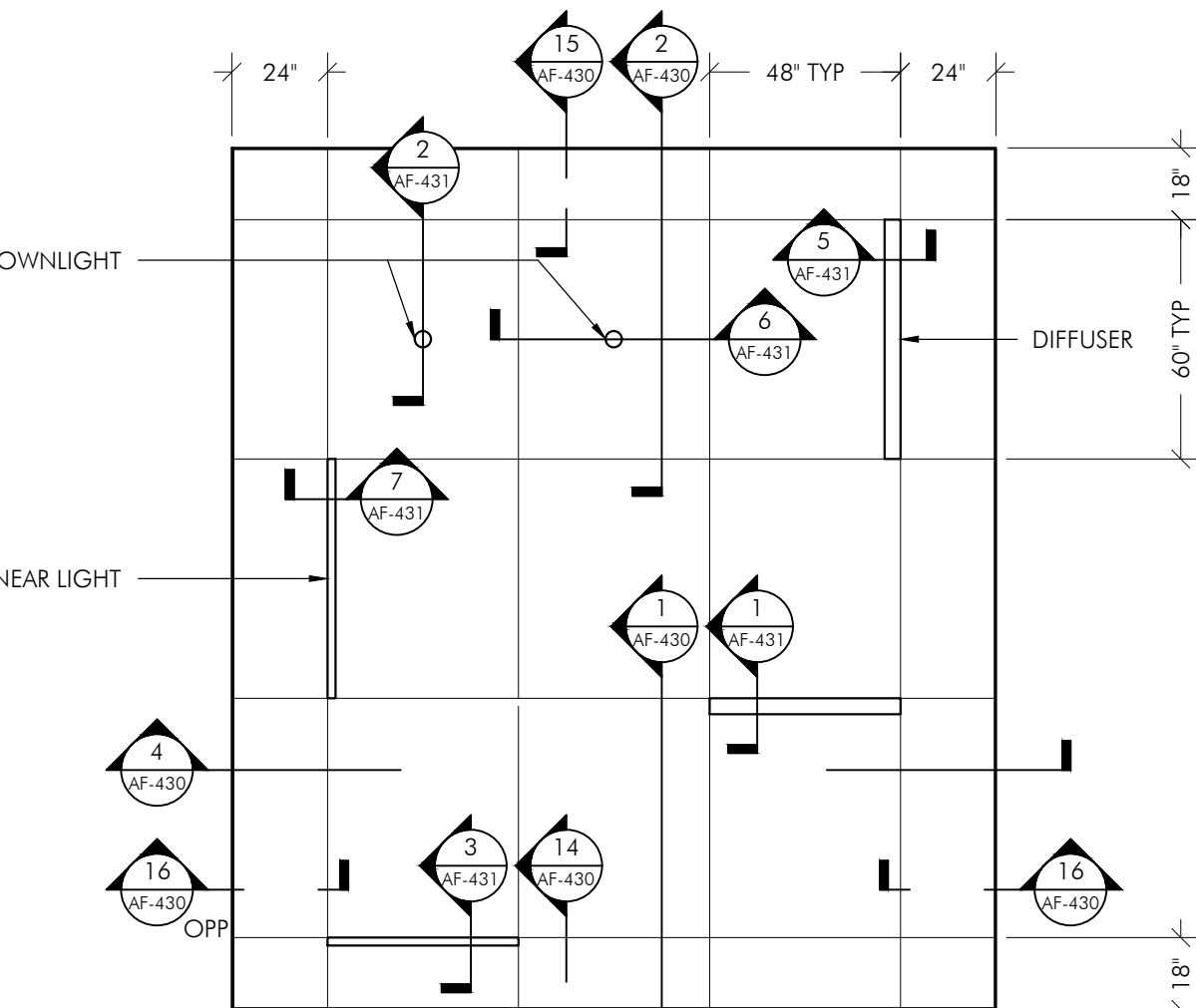
7 LONGITUDINAL SECTION AT REVEAL (TYP.)
SCALE: 6"=1'-0"

REF: 1/AF-430



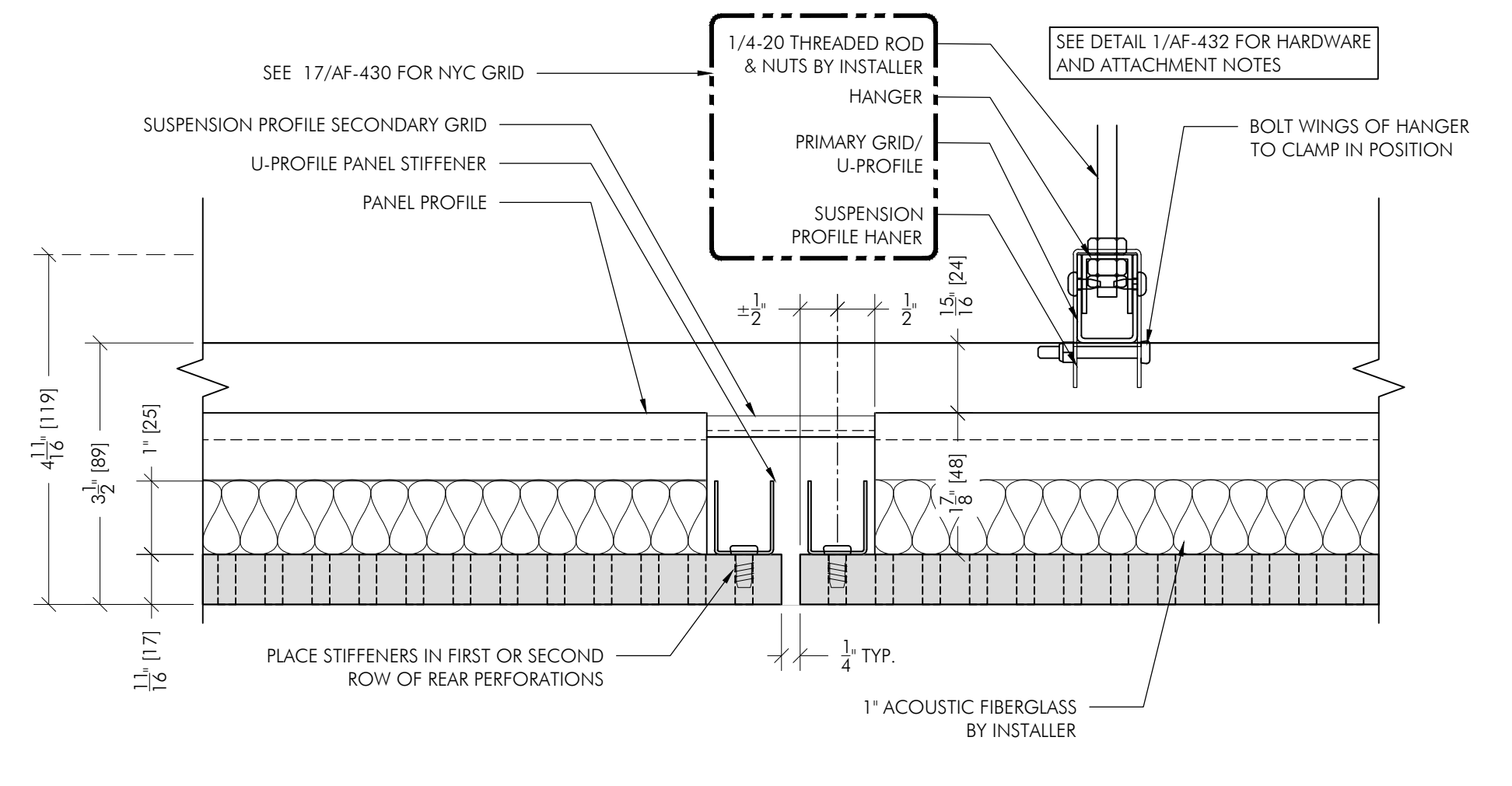
8 LONGITUDINAL SECTION AT PERIMETER
SCALE: 6"=1'-0"

REF: 2/AF-430



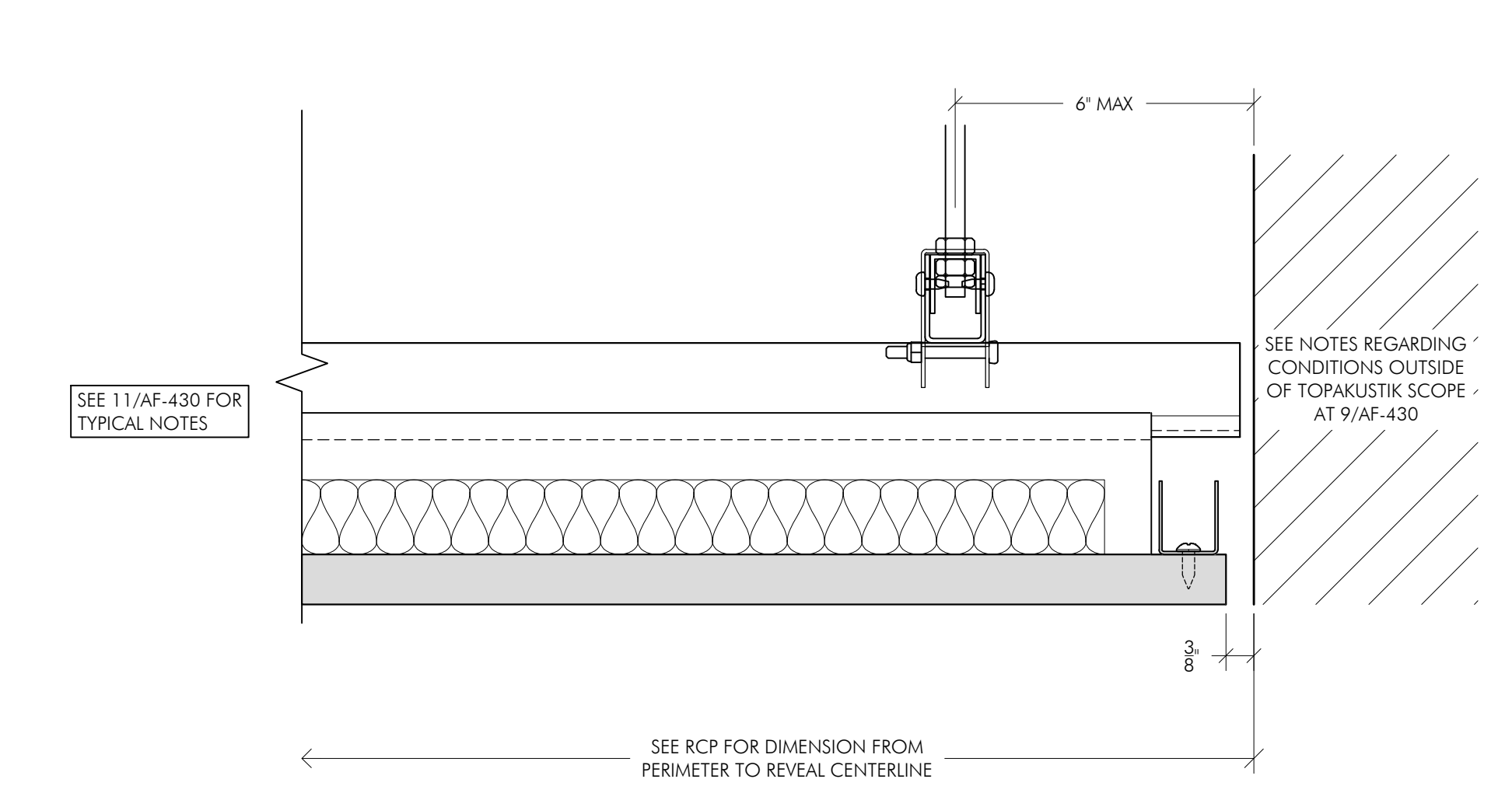
10 EXAMPLE RCP
SCALE: 1/4"=1'-0"

REF:



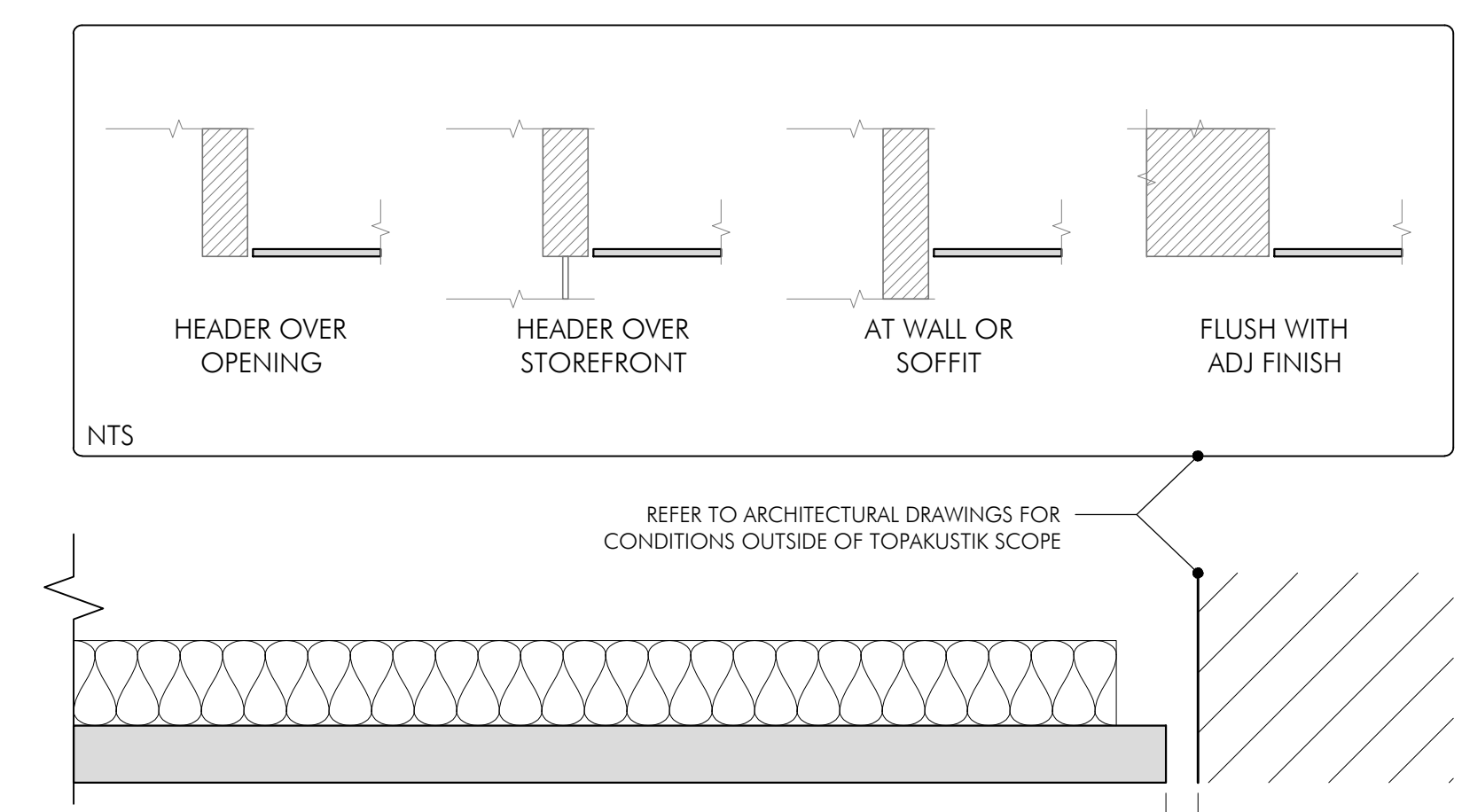
11 TRANSVERSE SECTION AT REVEAL (TYP.)
SCALE: 6"=1'-0"

REF: 4/AF-430



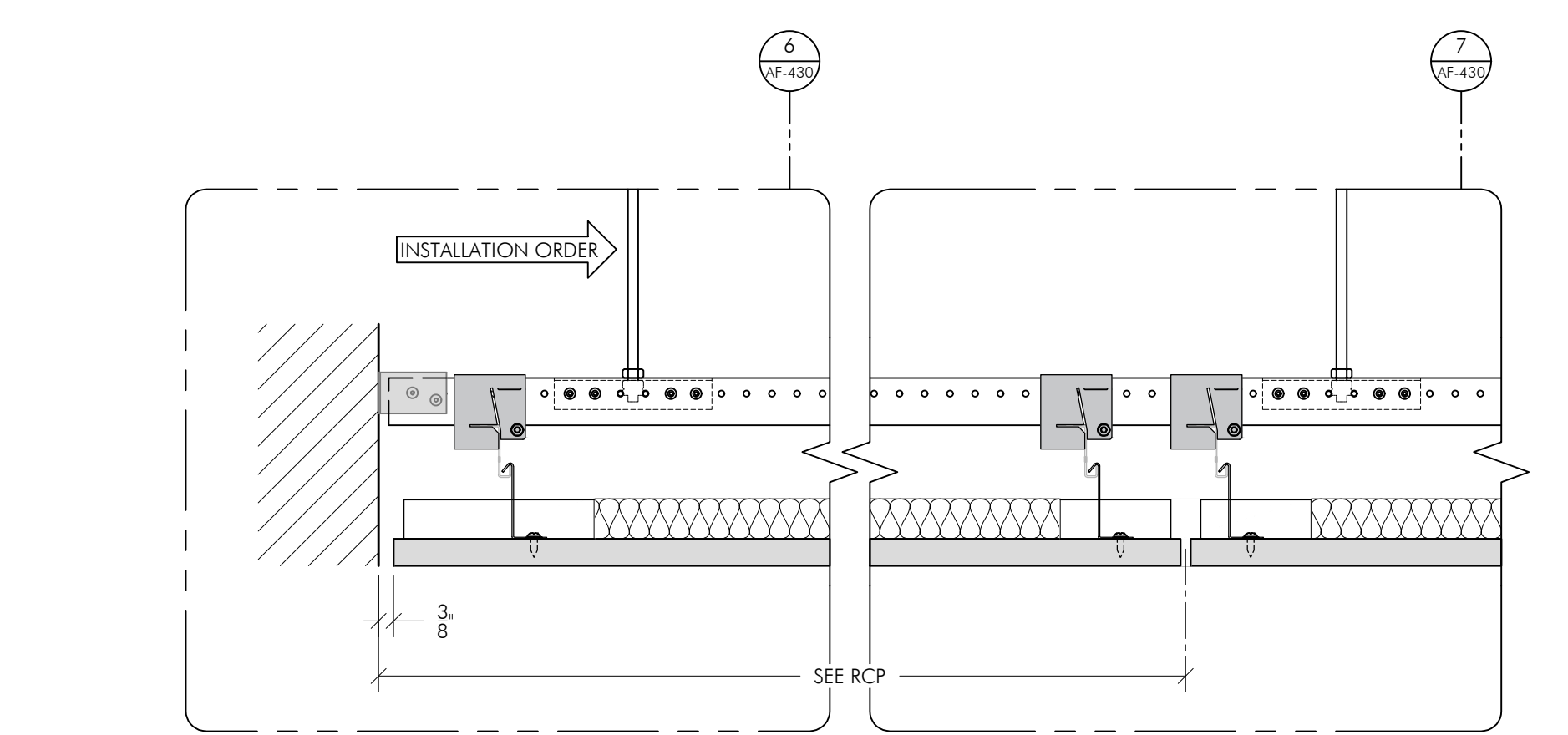
12 TRANSVERSE SECTION AT PERIMETER (TYP.)
SCALE: 6"=1'-0"

REF: 4/AF-430



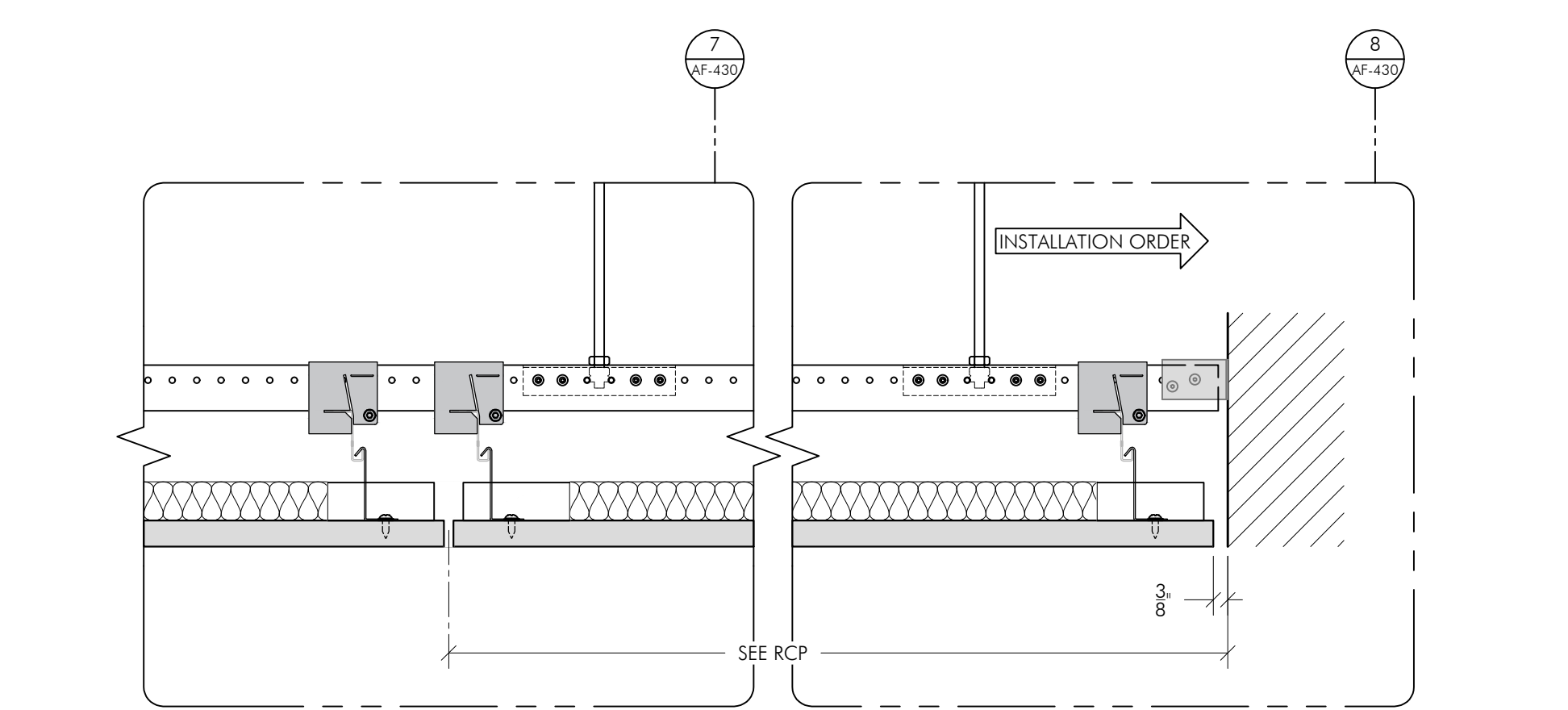
9 PERIMETER CONDITIONS
SCALE: 6"=1'-0"

REF: TYPICAL



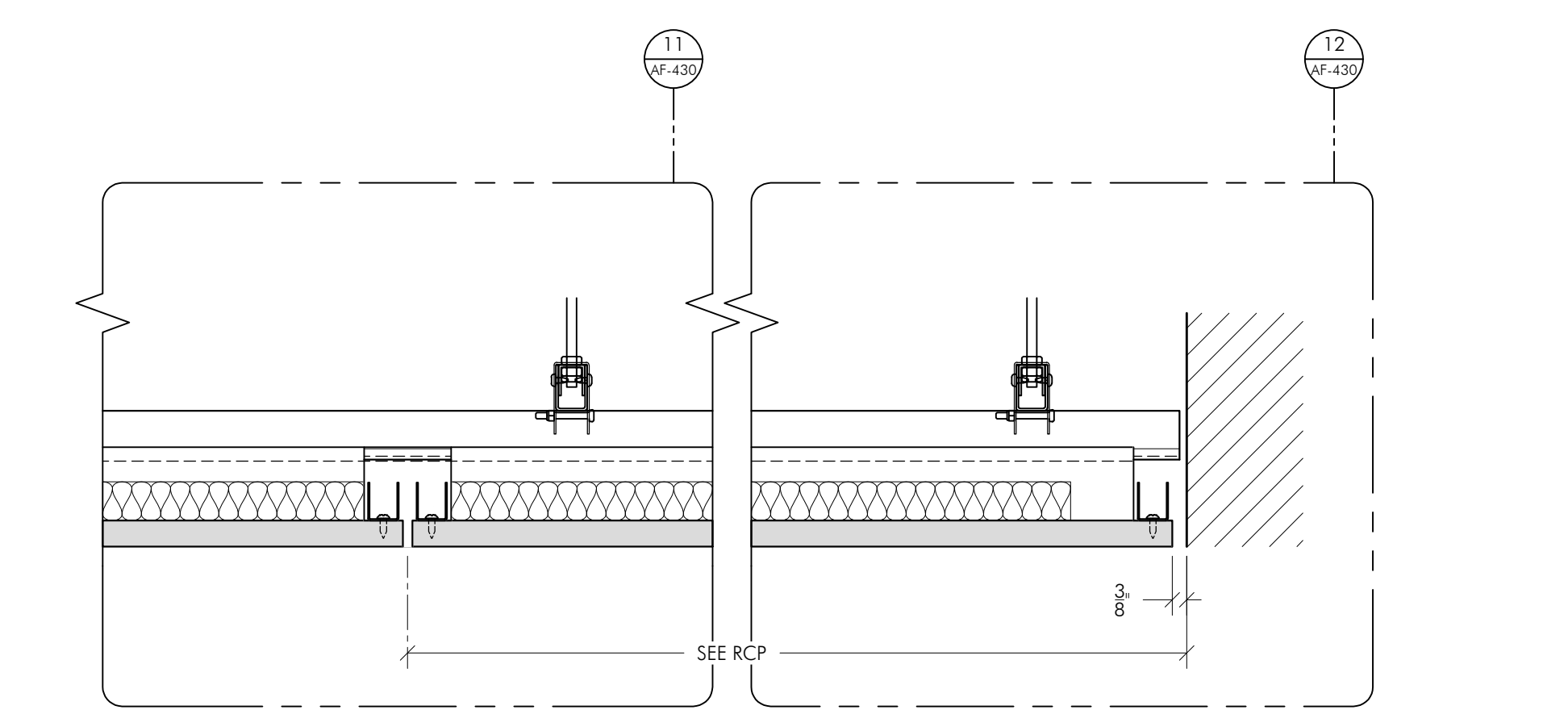
14 LONGITUDINAL SECTION AT PERIMETER
SCALE: 3"=1'-0"

REF:



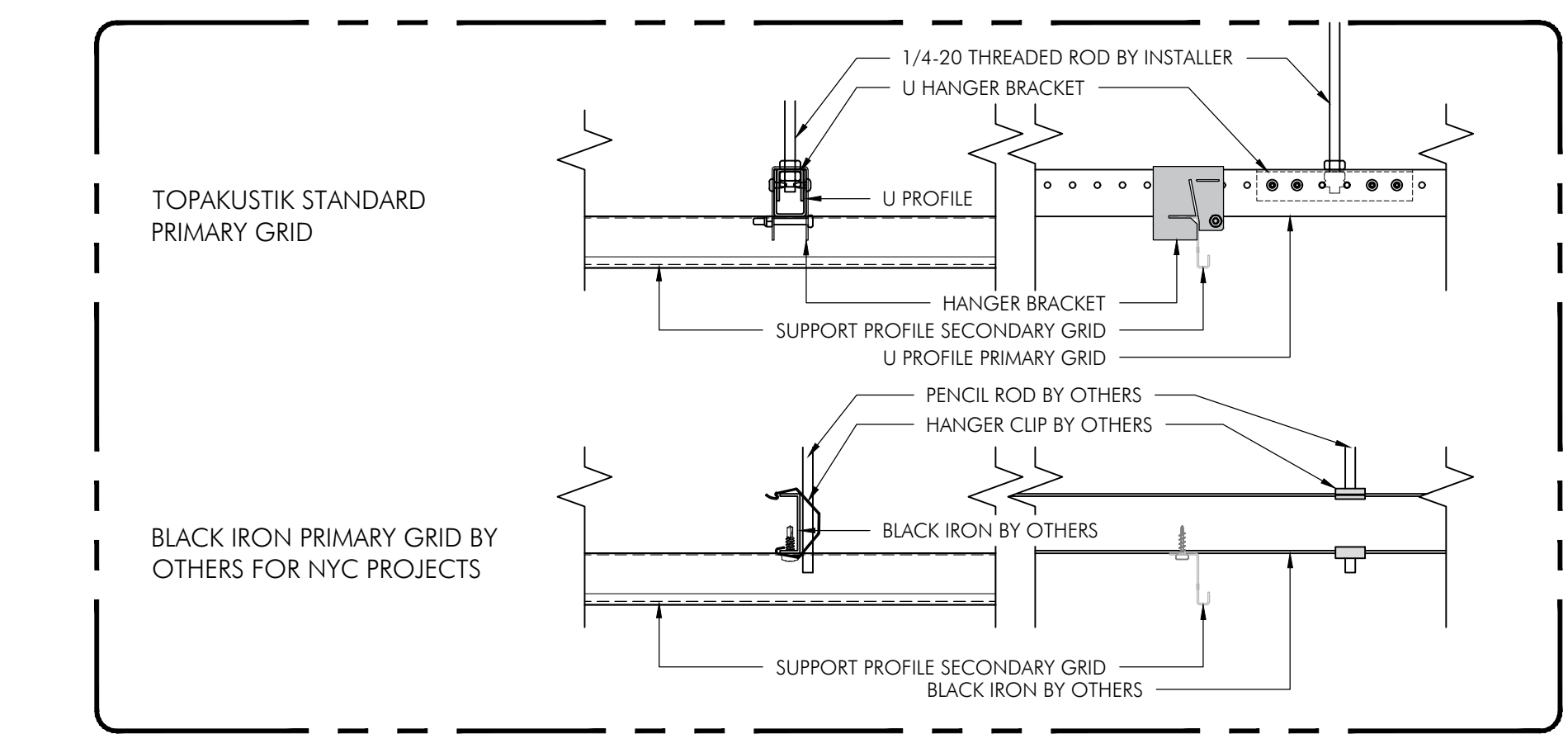
15 LONGITUDINAL SECTION AT PERIMETER
SCALE: 3"=1'-0"

REF:



16 TRANSVERSE SECTION AT PERIMETER
SCALE: 3"=1'-0"

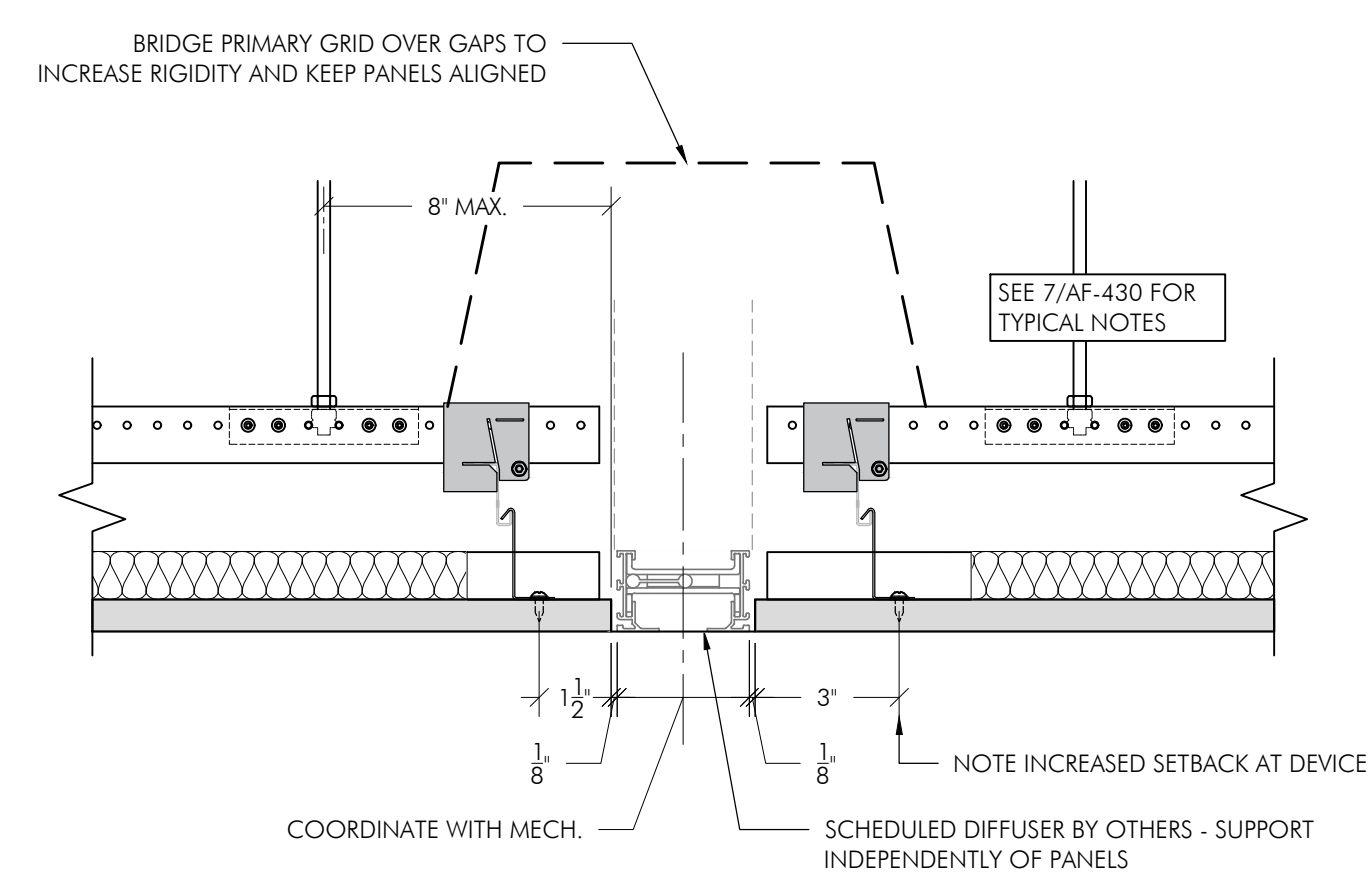
REF:



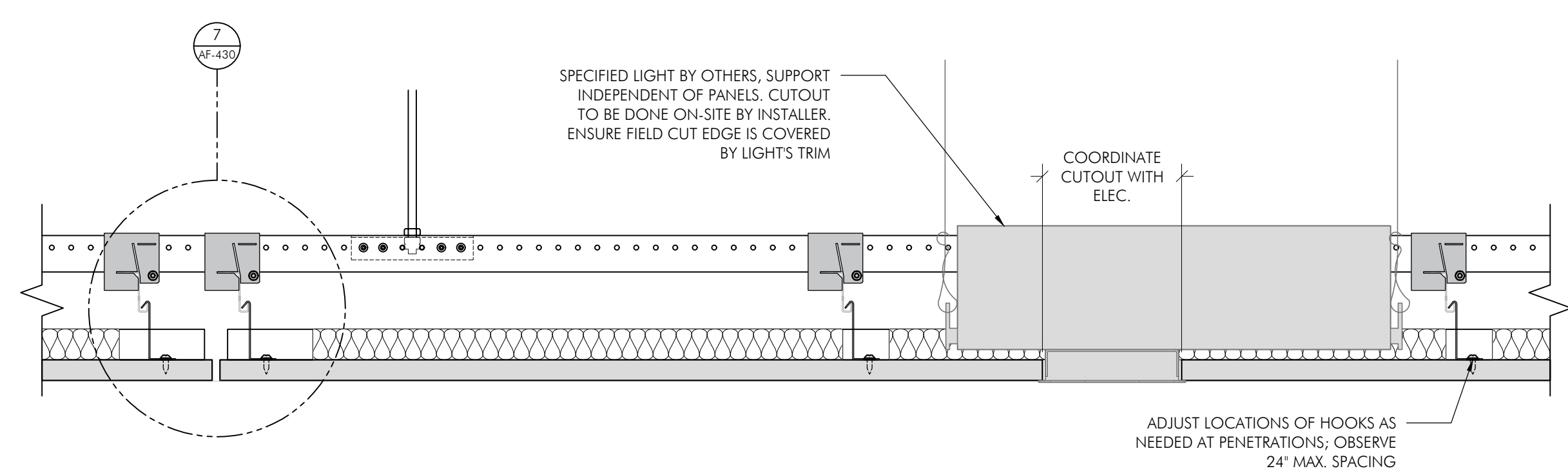
17 ALTERNATE PRIMARY GRID FOR NYC
SCALE: 3"=1'-0"

REF: 7 & 11/AF-430

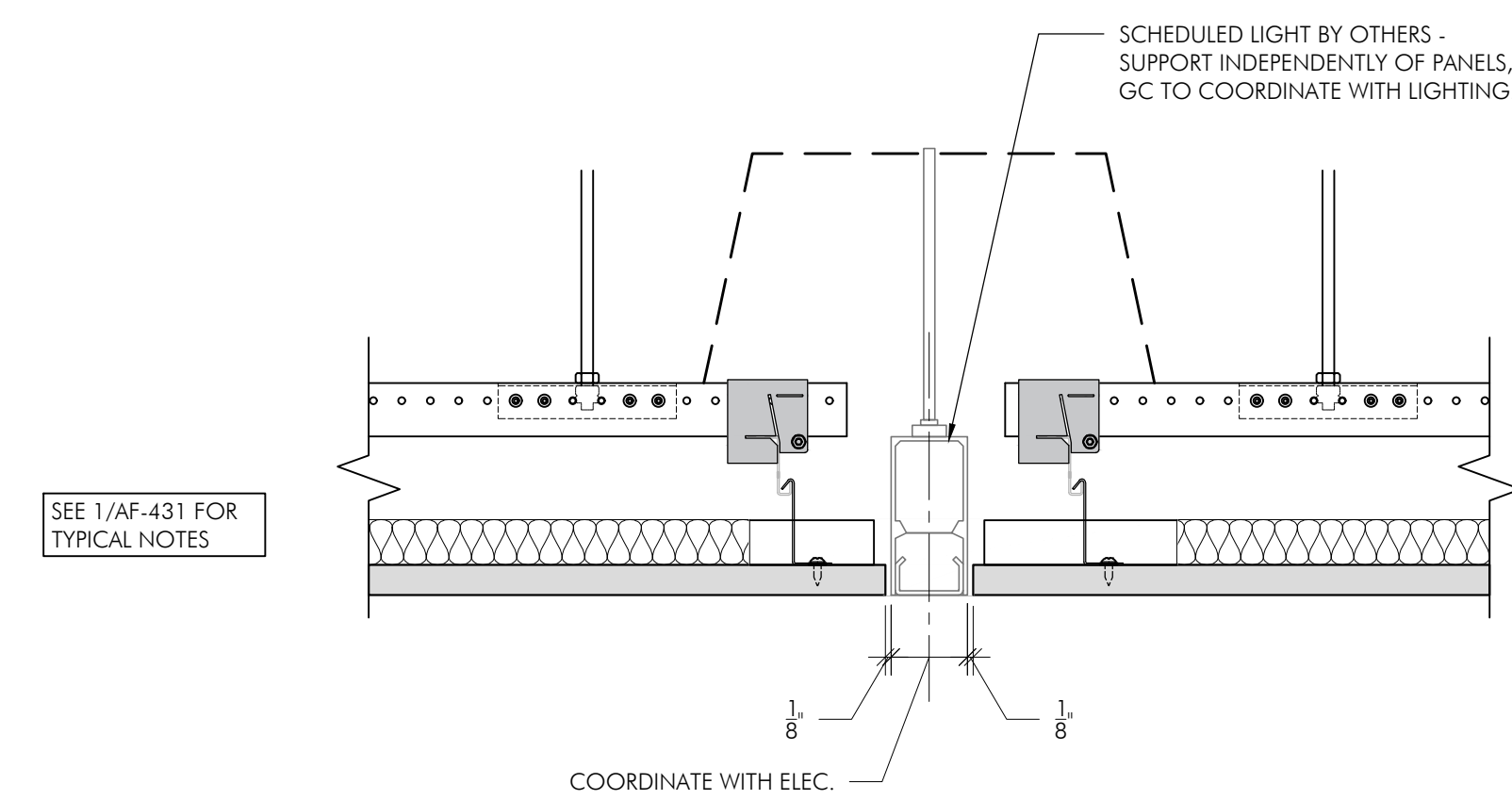
PROJECT:	Template	TOP(A)K(U)S(T)I(K)
SHEET TITLE:	CHS DETAILS 1	
REVISIONS:	ISSUE DATE:	SCALE:
▲	11/21/2024	NOTED
▲	PROJ MGR:	PAGE NO.:
▲		2/4
▲	PRODUCTION TOLERANCE:	3 RD ANG. PROJ.:
	0.36" ± 1/32"	0
	± 1/32" PER 36" OF PRODUCT	REV NO.:
		0



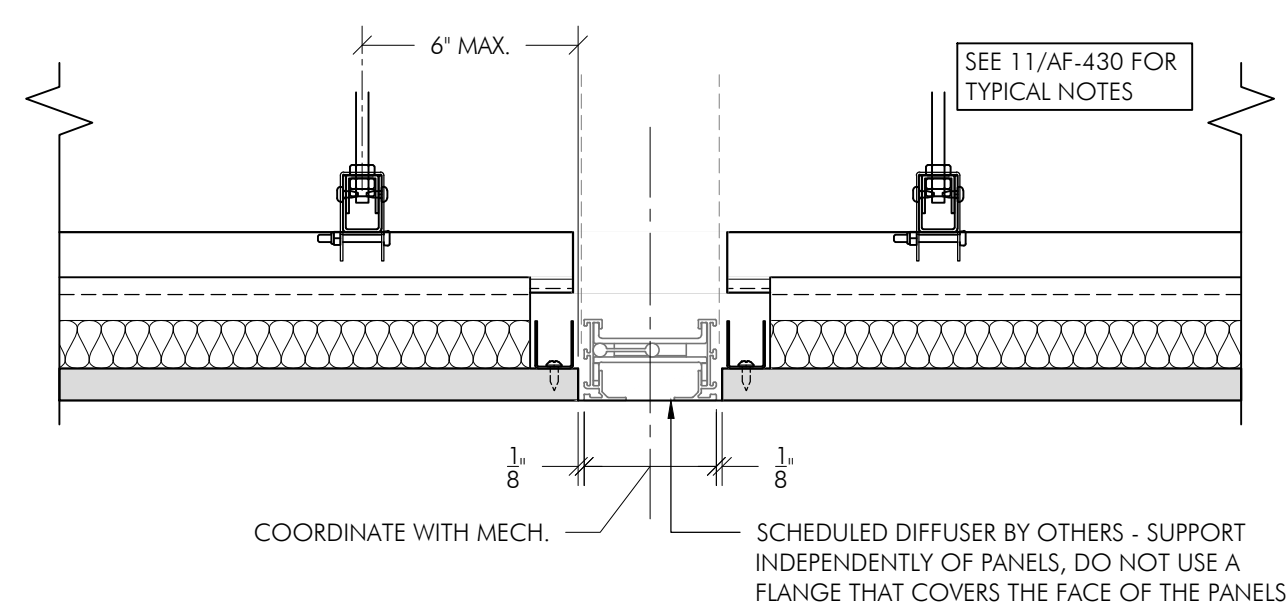
1 DIFFUSER ALONG PANEL WIDTH
SCALE: 3"=1'-0" REF: TYPICAL



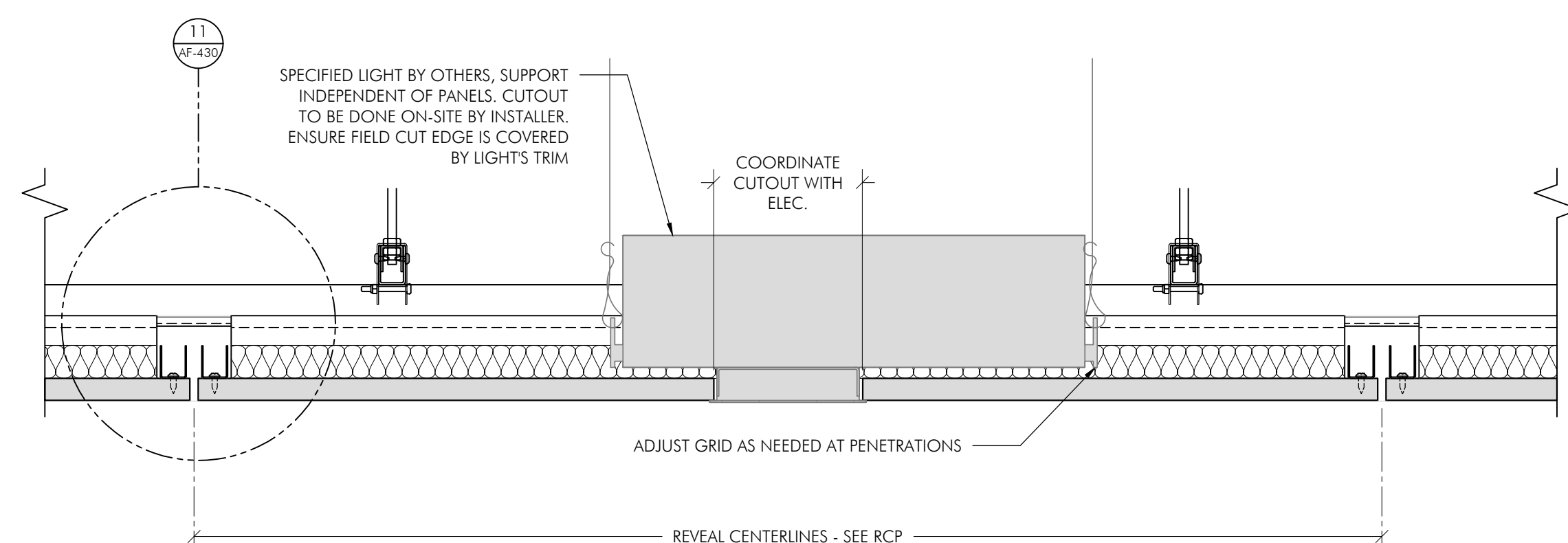
2 TYPICAL SECTION DETAIL - LONGITUDINAL AT LIGHT
SCALE: 3"=1'-0" REF: TYPICAL



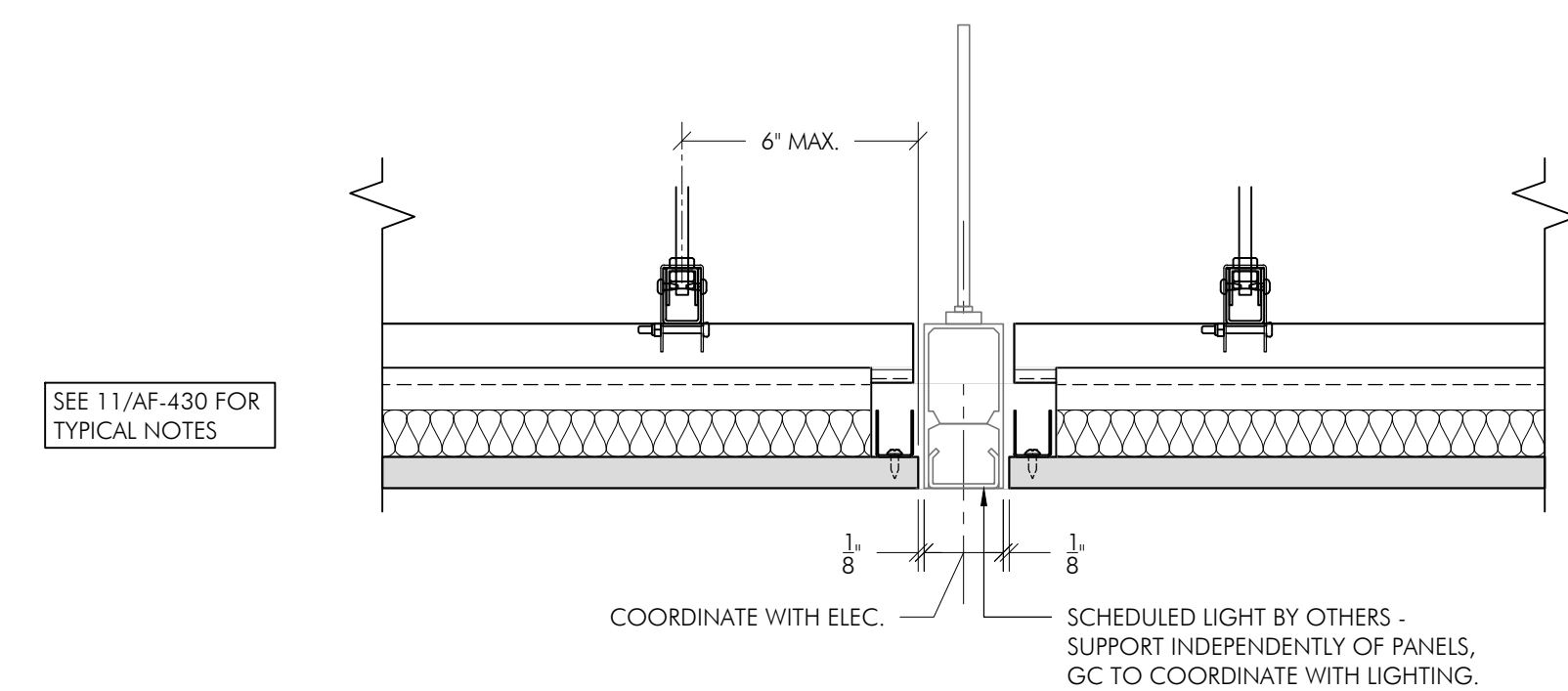
3 LONGITUDINAL SECTION AT LINEAR LIGHT
SCALE: 3"=1'-0" REF: TYPICAL



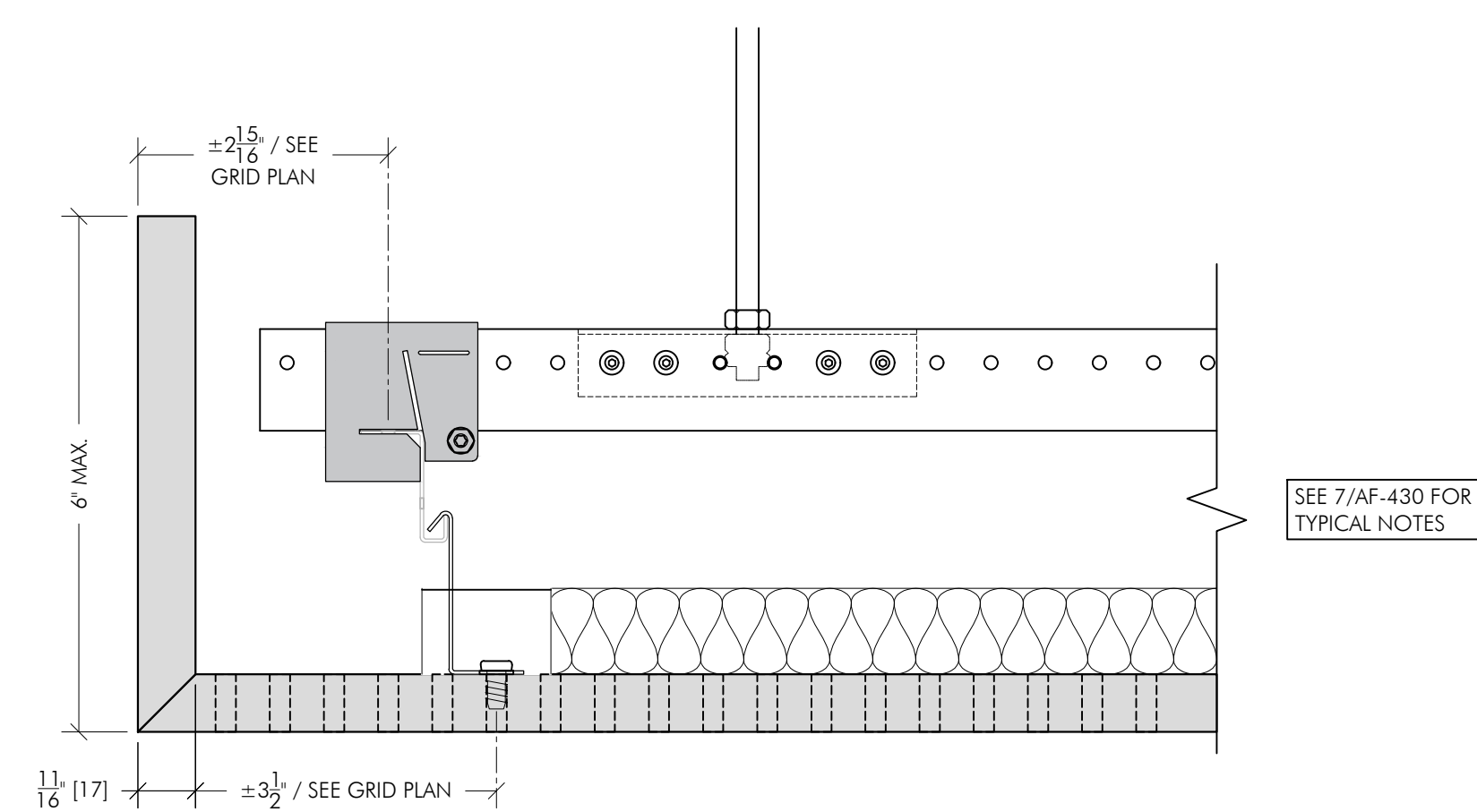
5 DIFFUSER ALONG PANEL LENGTH
SCALE: 3"=1'-0" REF: TYPICAL



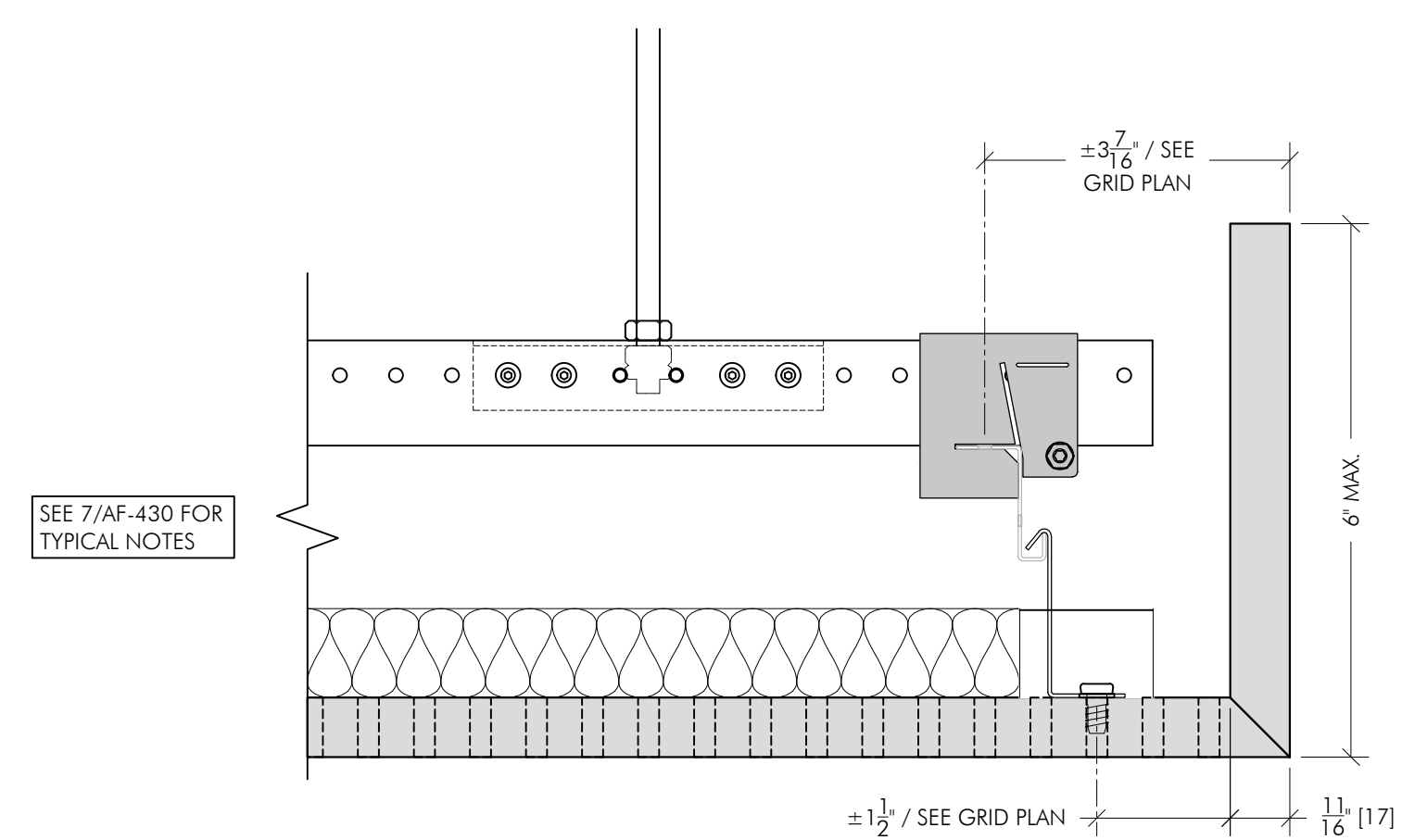
6 TYPICAL SECTION DETAIL - TRANSVERSE AT LIGHT
SCALE: 3"=1'-0" REF: 1/AF-202



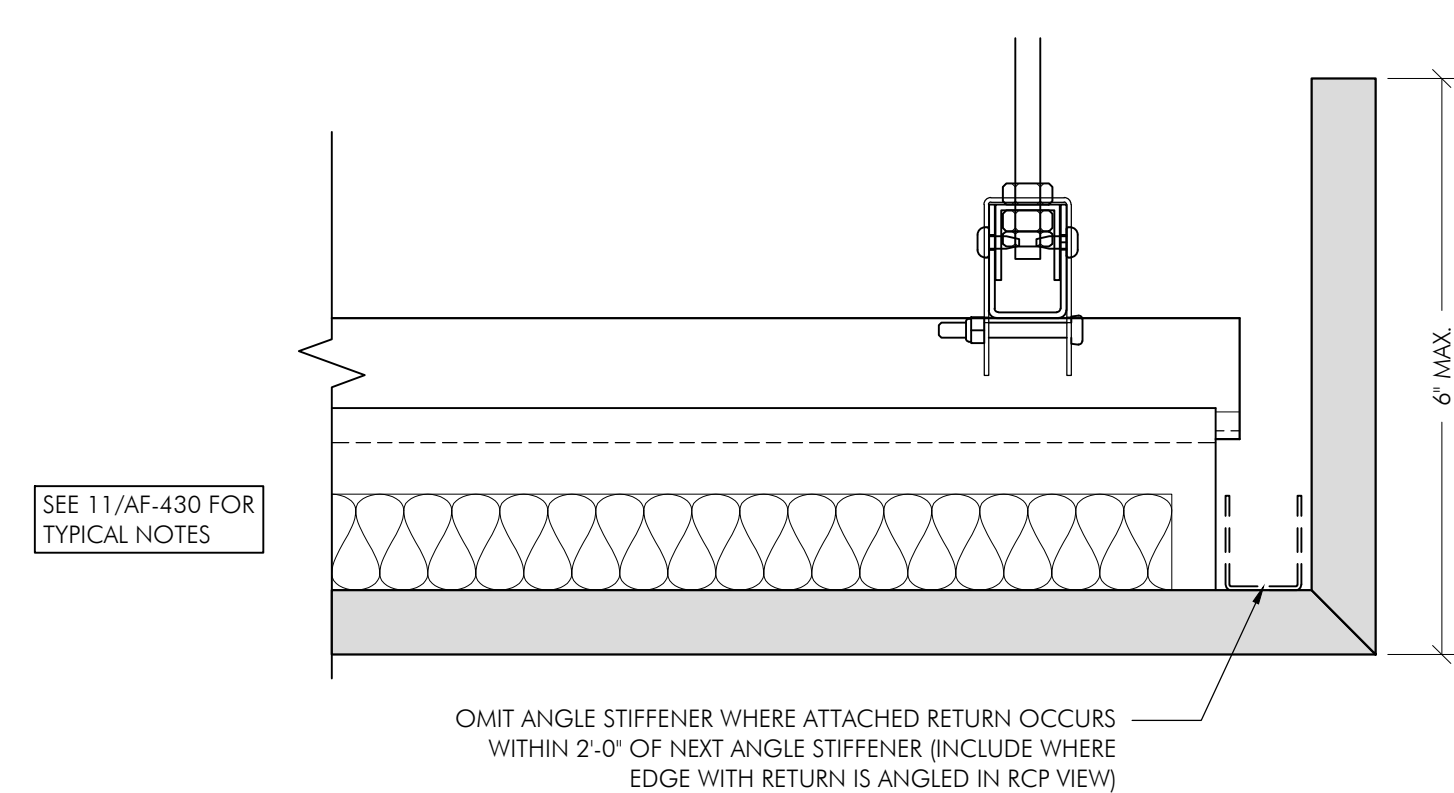
7 TRANSVERSE SECTION AT LINEAR LIGHT
SCALE: 3"=1'-0" REF: TYPICAL



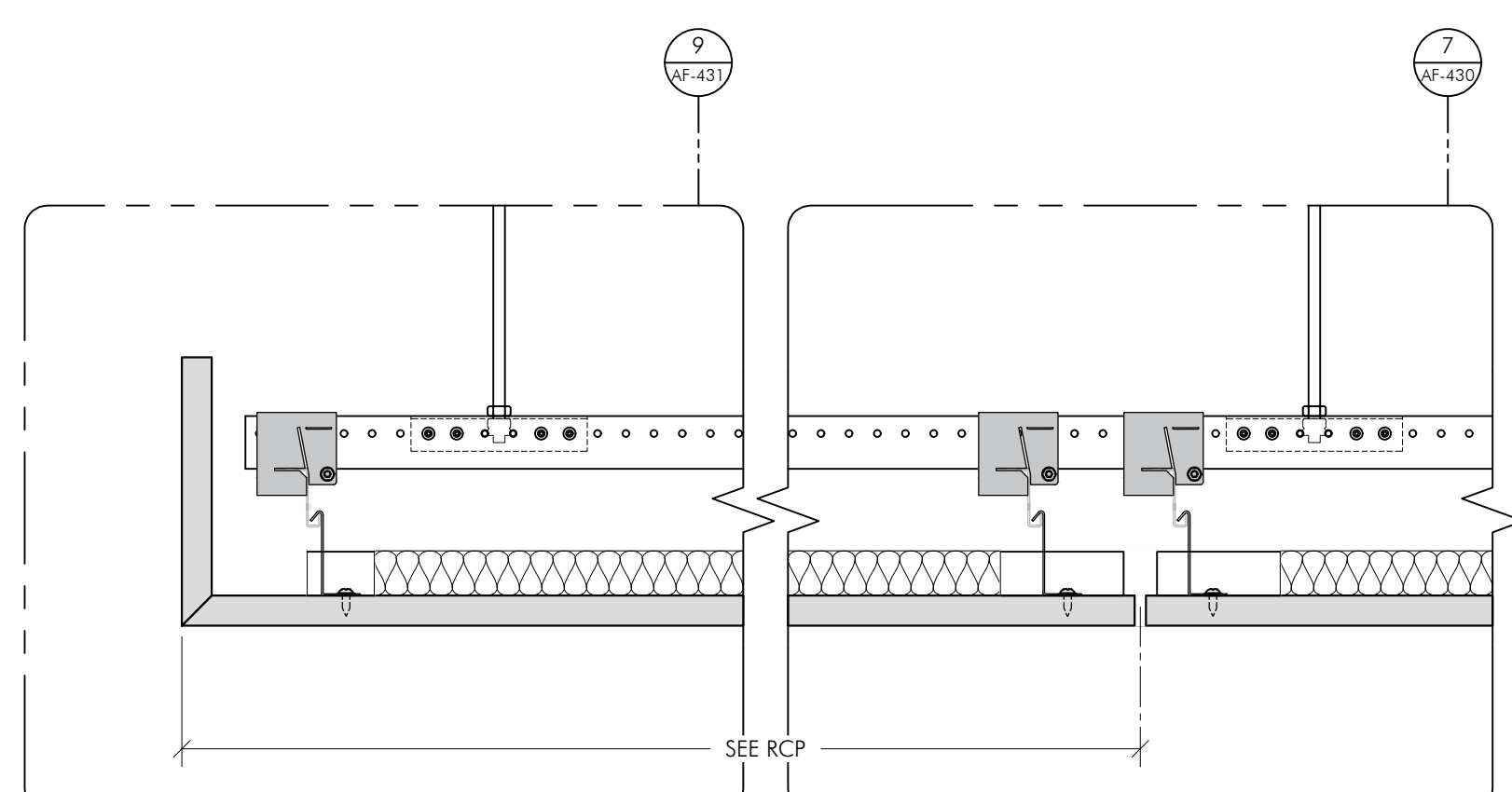
9 LONGITUDINAL SECTION AT RETURN
SCALE: 6"=1'-0" REF: 17/AF-431



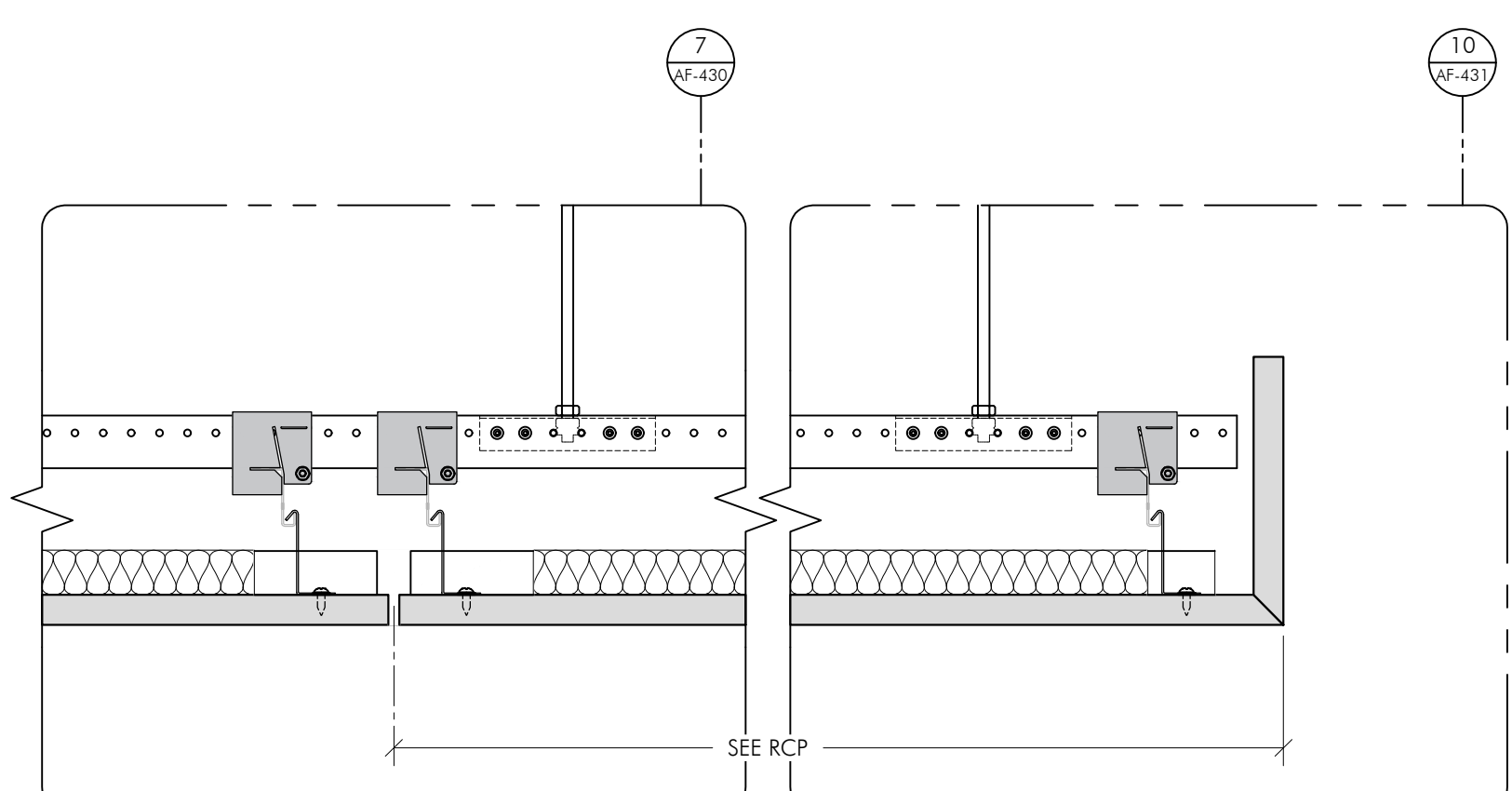
10 LONGITUDINAL SECTION AT RETURN
SCALE: 6"=1'-0" REF: 18/AF-431



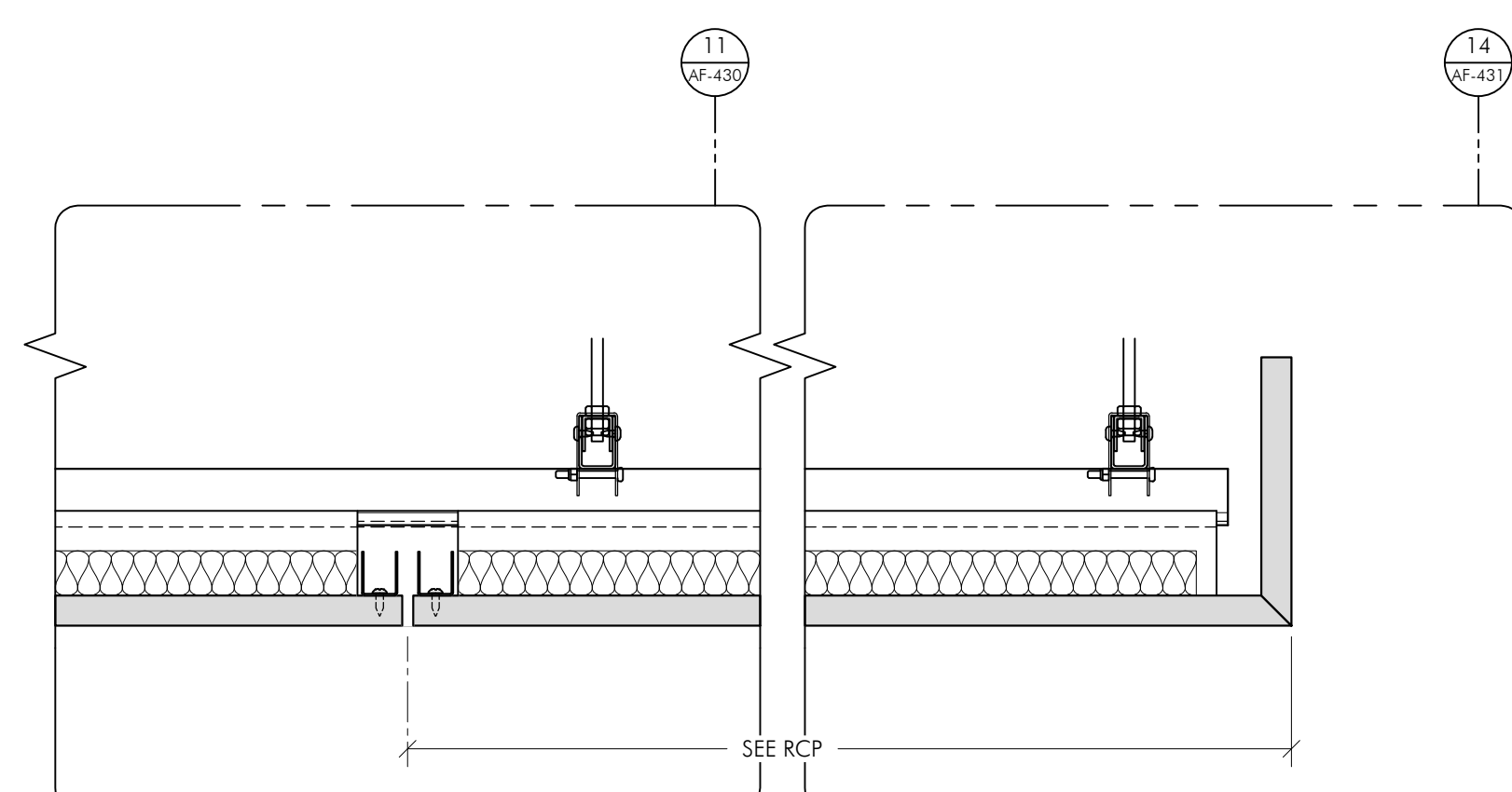
14 TRANSVERSE SECTION AT RETURN
SCALE: 6"=1'-0" REF: 19/AF-431



17 LONGITUDINAL SECTION AT RETURN
SCALE: 3"=1'-0" REF:

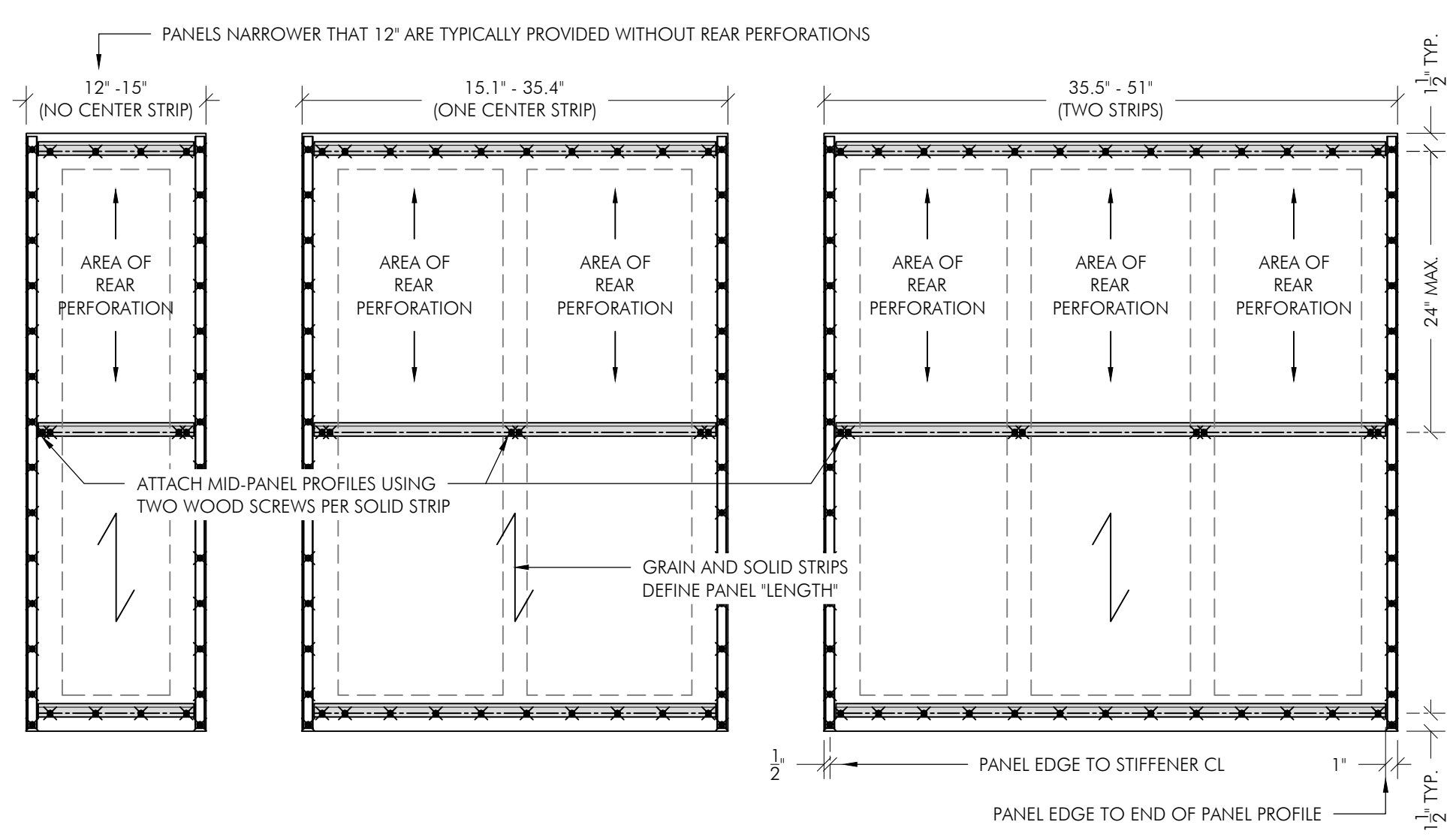


18 LONGITUDINAL SECTION AT RETURN
SCALE: 3"=1'-0" REF:

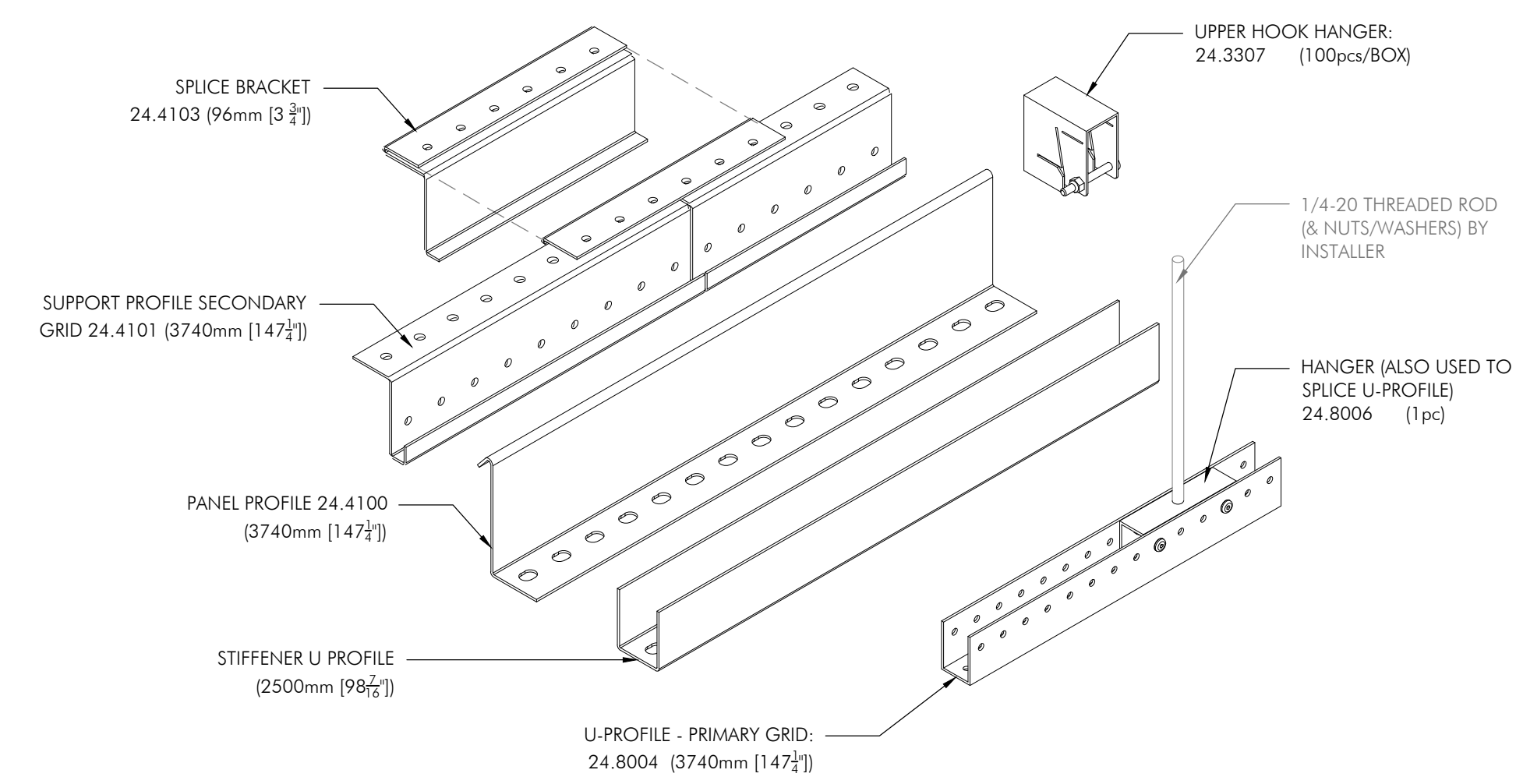
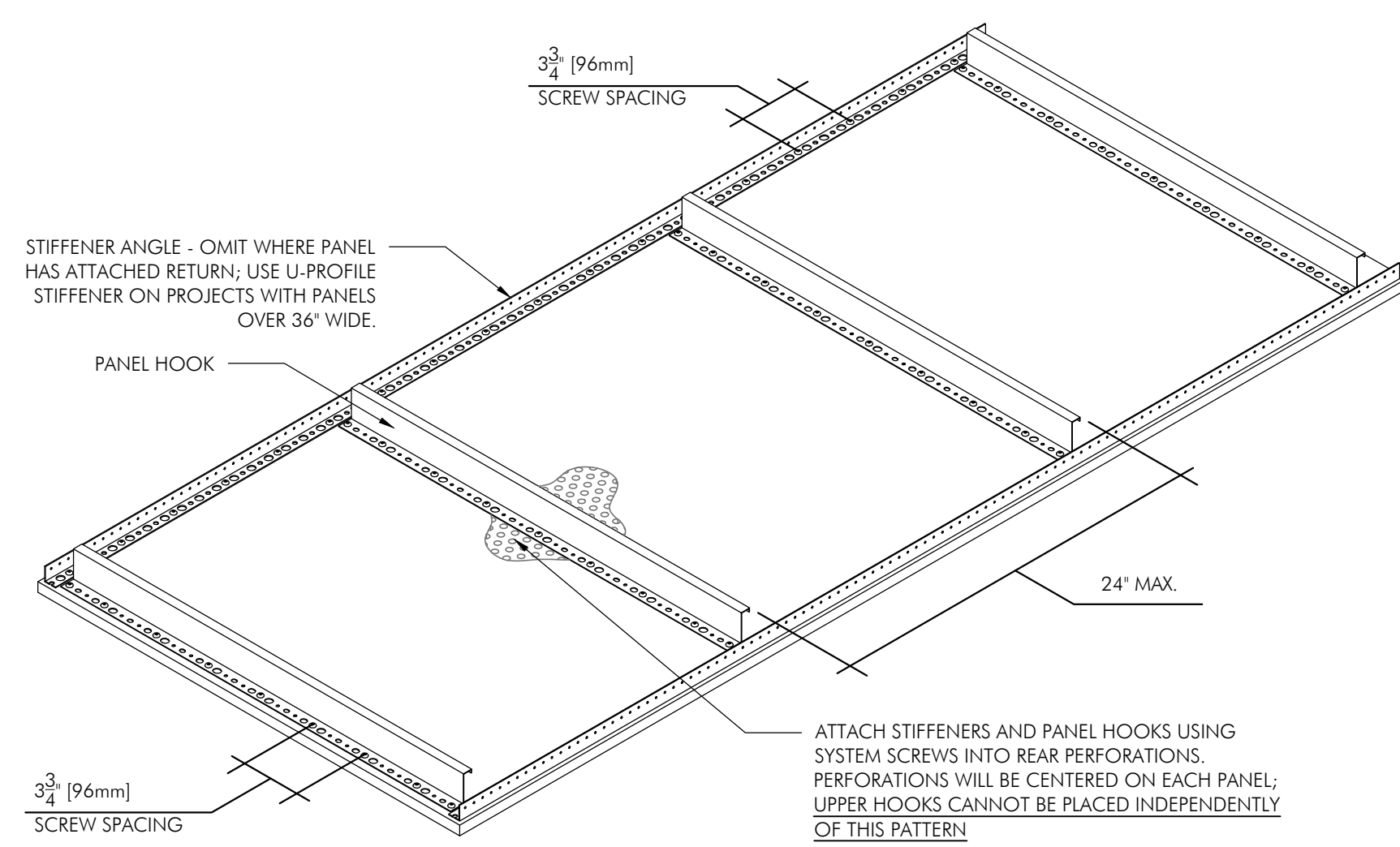
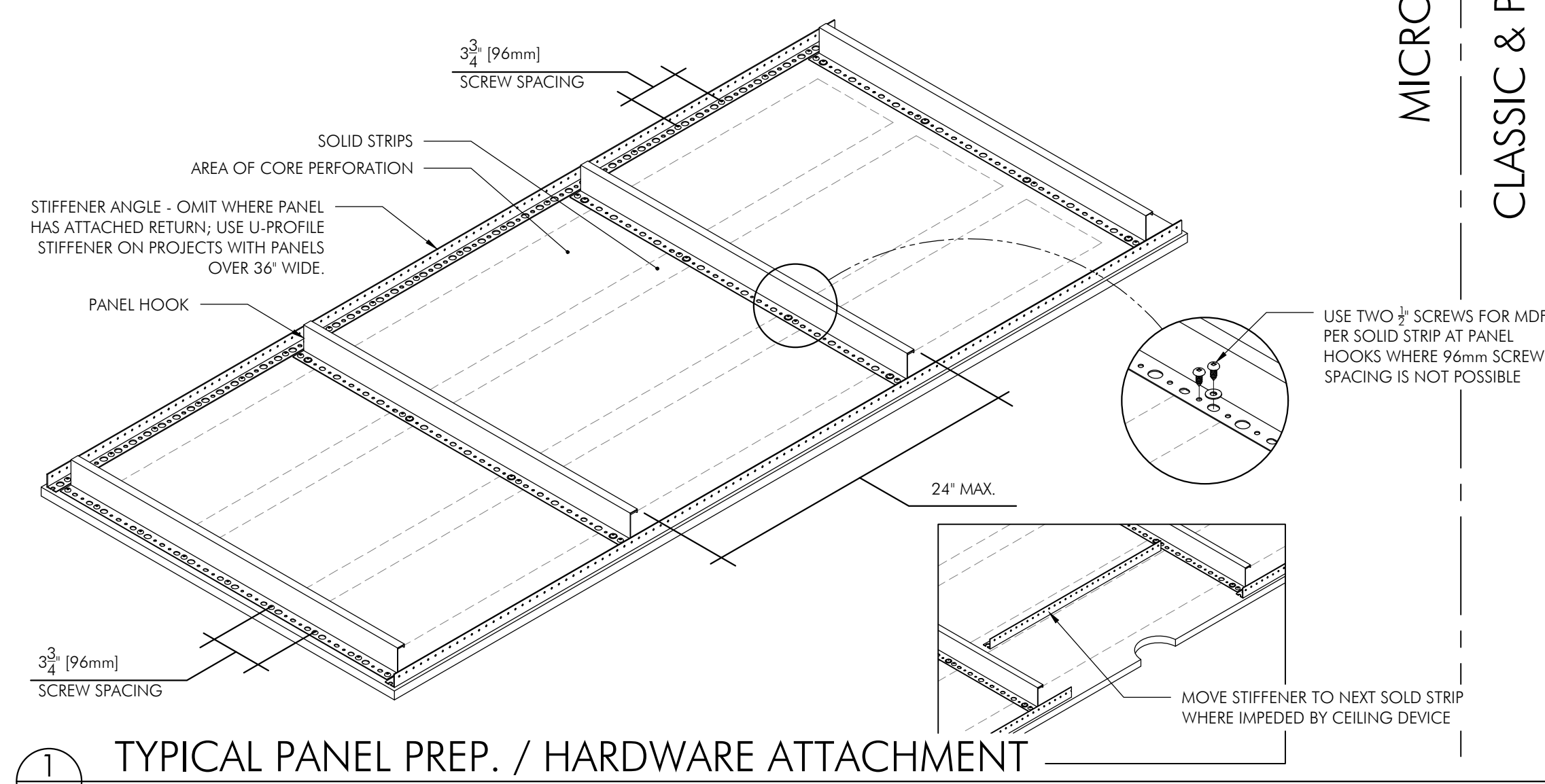
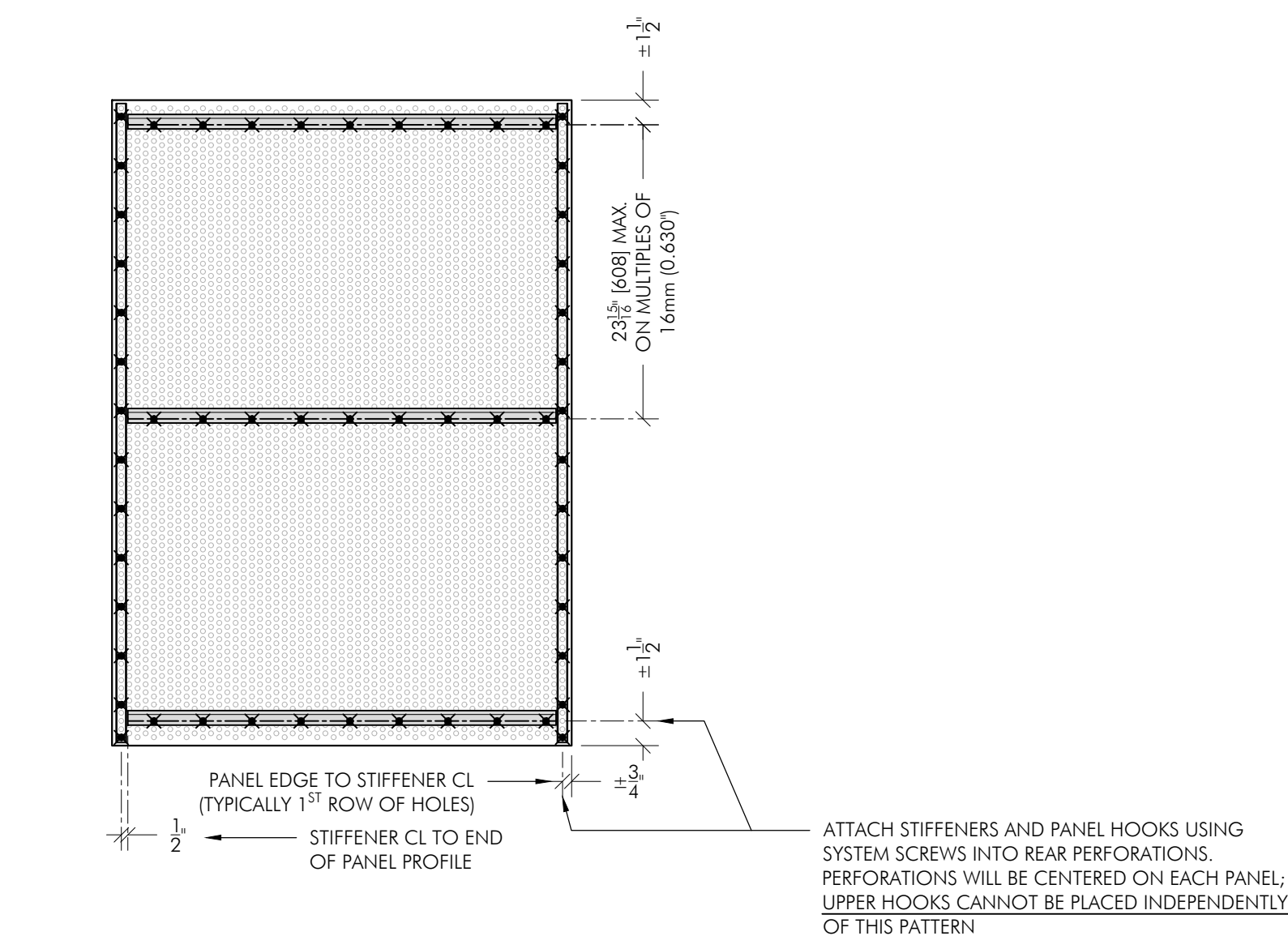


19 TRANSVERSE SECTION AT RETURN
SCALE: 3"=1'-0" REF:

PROJECT: Template		TOP(A)K(U)S(T)I(K)	
SHEET TITLE: CHS DETAILS 2			
REVISIONS:	ISSUE DATE:	SCALE:	NOTED
△	11/21/2024	3"=1'-0"	3 RD ANG. PROJ.
△	PROJ MGR:	DRAWN BY:	PAGE NO.: 3/4
△	PRODUCTION TOLERANCE:	0" - 36" = 1/32"	REV NO.: 0
△	± 1/32" PER 36" OF PRODUCT	AF-431	



MICRO PANEL TYPES
CLASSIC & PERFO PANEL TYPES



1 AF-432 NTS TYPICAL PANEL PREP. / HARDWARE ATTACHMENT

2 AF-432 CHS HOOK HARDWARE SCALE: 1"=1'-0"

REF: TYPICAL

PROJECT: Template		TOP(A)K(U)S(T)I(K)	
SHEET TITLE: CHS DETAILS 3			
REVISIONS:	ISSUE DATE: 11/21/2024	SCALE: NOTED	3 RD ANG. PROJ.
▲	PROJ. MGR:	DRAWN BY:	PAGE NO.: 4/4
▲	PRODUCTION TOLERANCE: 0.36" ± 1/32"		REV NO.: 0
▲	(±1/32" PER 36" OF PRODUCT)		AF-432