
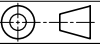
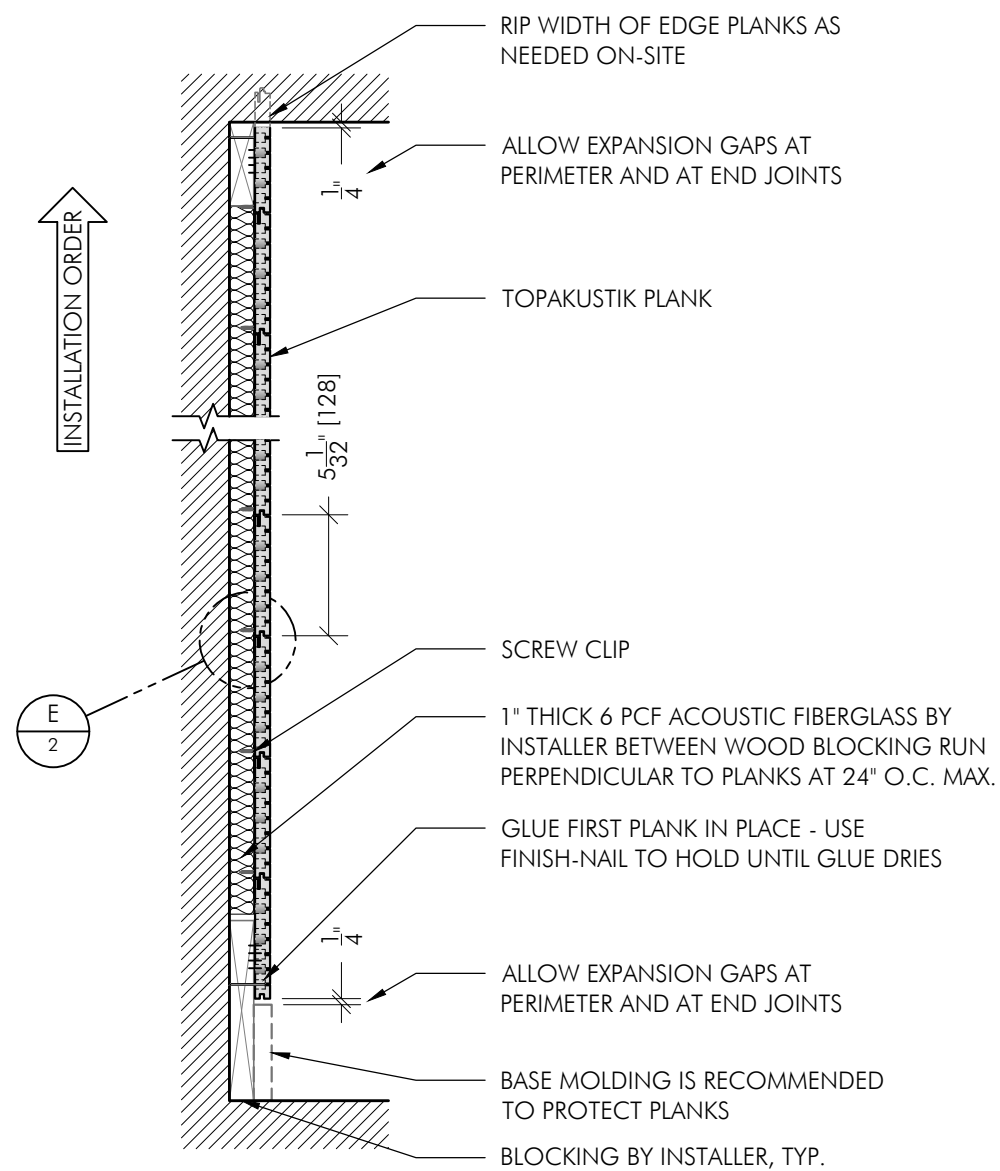


**A** ELEVATION - TOPAKUSTIK PLANKS  
SCALE: 3/4" = 1'-0"

**B** SCREW CLIP ISO  
SCALE: NONE

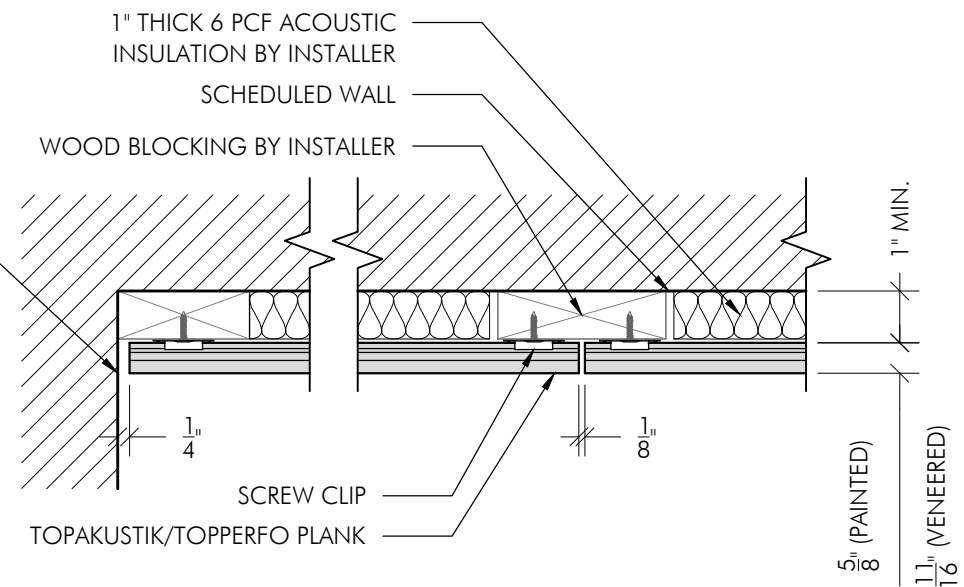
<b>TOPPERFO PLANKS</b>  <b>SCREW CLIP WALL 1</b>	<b>TOP(A)K(U)S(T)I(K)</b> 	SCALE: NOTED PAGE: 1/2
	(410) 849-4333   <a href="http://www.topakustikusa.com">www.topakustikusa.com</a> Production Tolerance: ±1/32" PER 36" of product	DRAWN BY: WRM DATE: 07/07/2020 3 <sup>rd</sup> ANG. PROJ. 

These drawings show typical installation conditions for Topakustik® and Topperfo® products. They do not account for the specific requirements of local building codes, laws, etc. that may be applicable for a particular installation. Topakustik® does not warrant, and assumes no liability for the accuracy or completeness of the drawings for a particular installation or their fitness for a particular purpose. The user is advised to consult with a duly licensed architect or engineer in the particular local of the installation to assure compliance with all legal requirements. Topakustik® is not licensed to provide professional engineering design services.

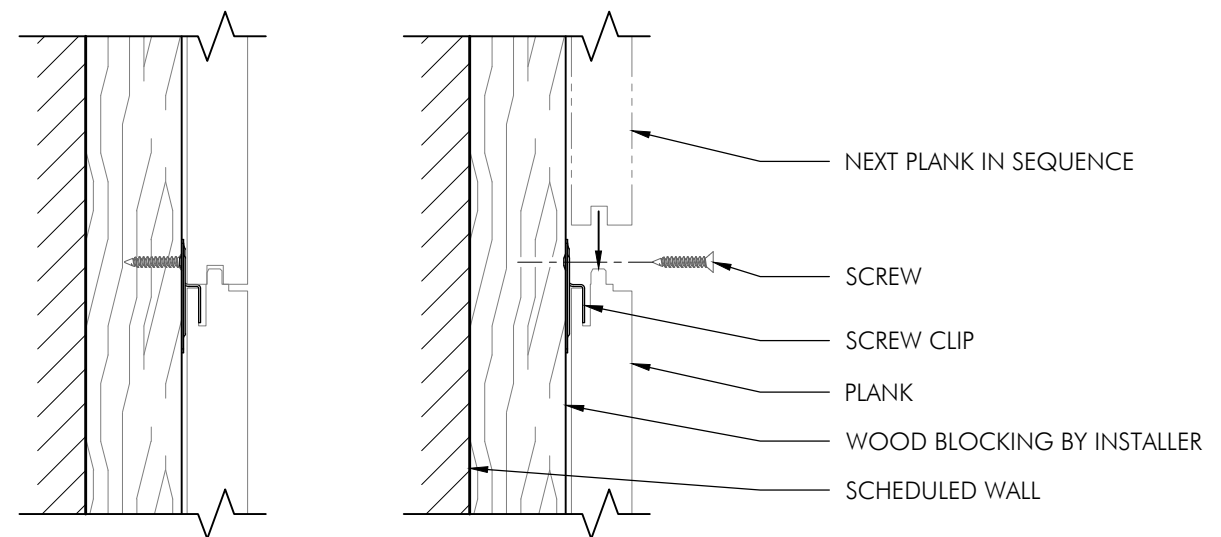


**C** TRANSVERSE DETAIL  
SCALE: 1 1/2"=1'-0" REF: A/1

SPECIFY TRIM WHERE EDGES WILL BE EXPOSED



**D** LONGITUDINAL DETAIL  
SCALE: 3"=1'-0" REF: A/1



**E** ENLARGED SECTION DETAIL  
SCALE: 6"=1'-0" REF: C/2

TOPAKUSTIK PLANKS

SCREW CLIP WALL 2

TOPAKUSTIK

(410) 849-4333 | www.topakustikusa.com

Production Tolerance: ±1/32" PER 36" of product

SCALE:	NOTED
PAGE:	2/2
DRAWN BY:	WRM
DATE:	07/07/2020
3 <sup>rd</sup> ANG. PROJ.	

These drawings show typical installation conditions for Topakustik® and Topperfo® products. They do not account for the specific requirements of local building codes, laws, etc. that may be applicable for a particular installation. Topakustik® does not warrant, and assumes no liability for the accuracy or completeness of the drawings for a particular installation or their fitness for a particular purpose. The user is advised to consult with a duly licensed architect or engineer in the particular local of the installation to assure compliance with all legal requirements. Topakustik® is not licensed to provide professional engineering design services.