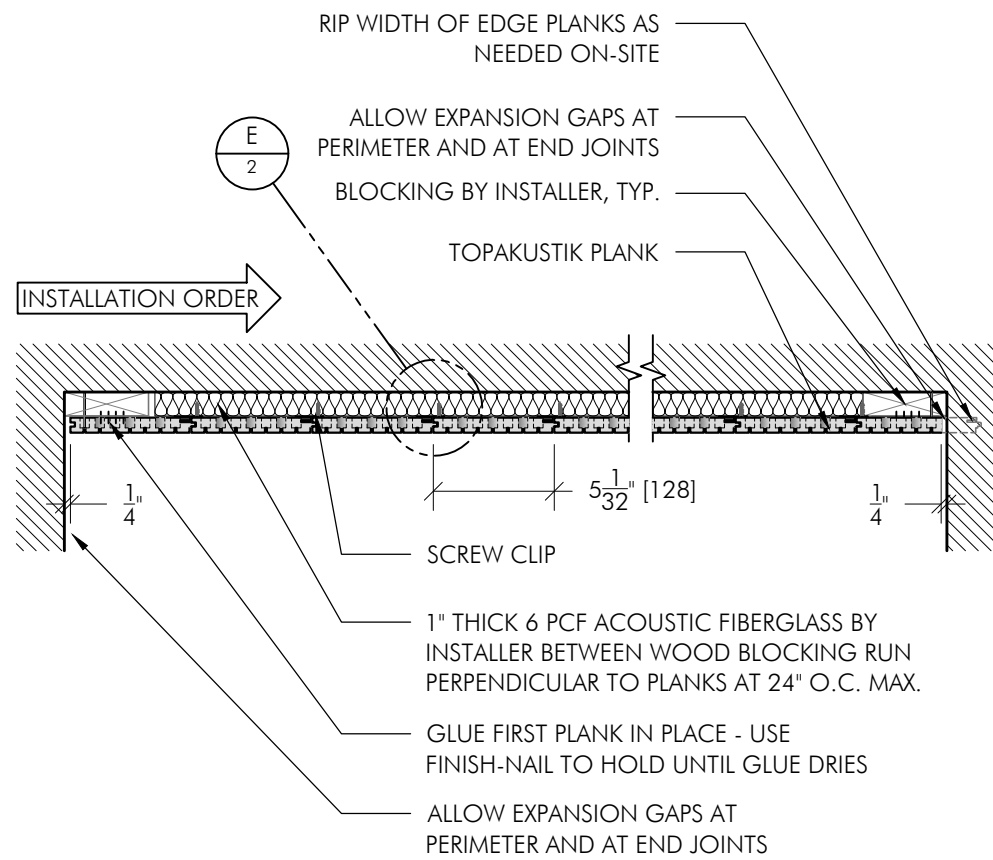
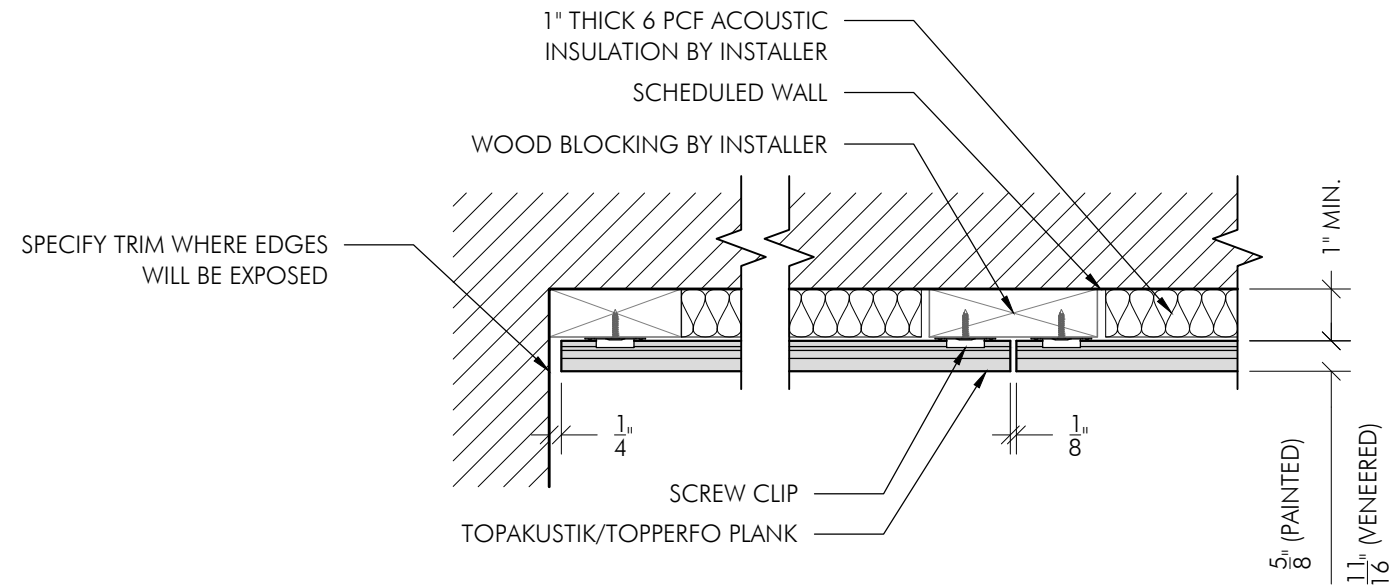


TOPAKUSTIK PLANKS		TOPAKUSTIK		SCALE:	NOTED
SCREW CLIP CEILING 1		(410) 849-4333 www.topakustikusa.com		PAGE:	1/2
		Production Tolerance: ±1/32" PER 36" of product		DRAWN BY:	WRM
				DATE:	07/07/2020
				3 rd ANG. PROJ.	

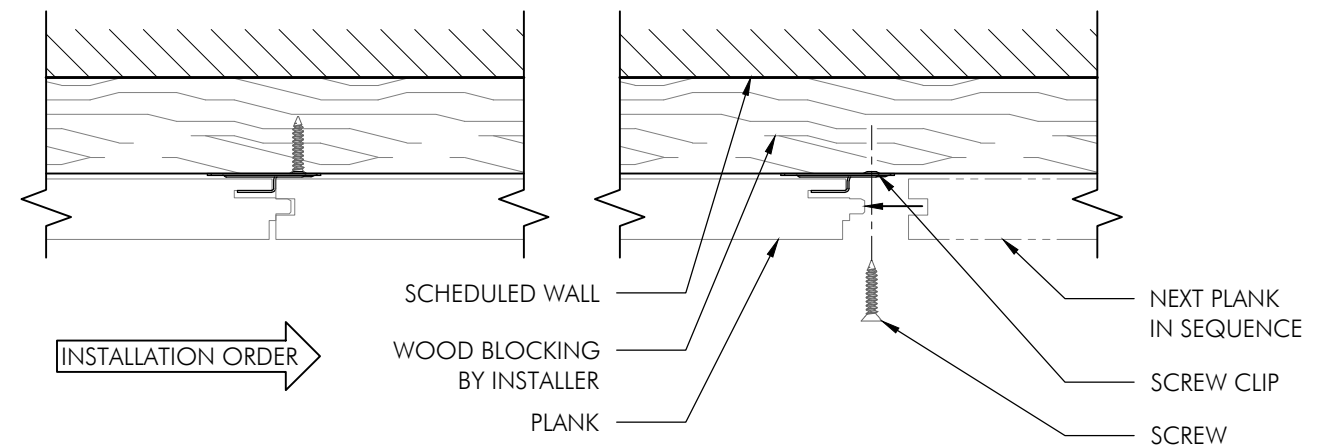
These drawings show typical installation conditions for Topakustik® and Topperfo® products. They do not account for the specific requirements of local building codes, laws, etc. that may be applicable for a particular installation. Topakustik® does not warrant, and assumes no liability for the accuracy or completeness of the drawings for a particular installation or their fitness for a particular purpose. The user is advised to consult with a duly licensed architect or engineer in the particular local of the installation to assure compliance with all legal requirements. Topakustik® is not licensed to provide professional engineering design services.



C TRANSVERSE DETAIL
SCALE: 1 1/2"=1'-0" REF: A/1




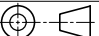
D LONGITUDINAL DETAIL
SCALE: 3"=1'-0" REF: A/1



E ENLARGED SECTION DETAIL
SCALE: 6"=1'-0" REF: C/2

TOPAKUSTIK PLANKS
SCREW CLIP CEILING 2

TOPAKUSTIK 
(410) 849-4333 | www.topakustikusa.com
Production Tolerance: ±1/32" PER 36" of product

SCALE:	NOTED
PAGE:	2/2
DRAWN BY:	WRM
DATE:	07/07/2020
3 rd ANG. PROJ.	

These drawings show typical installation conditions for Topakustik® and Topperfo® products. They do not account for the specific requirements of local building codes, laws, etc. that may be applicable for a particular installation. Topakustik® does not warrant, and assumes no liability for the accuracy or completeness of the drawings for a particular installation or their fitness for a particular purpose. The user is advised to consult with a duly licensed architect or engineer in the particular local of the installation to assure compliance with all legal requirements. Topakustik® is not licensed to provide professional engineering design services.