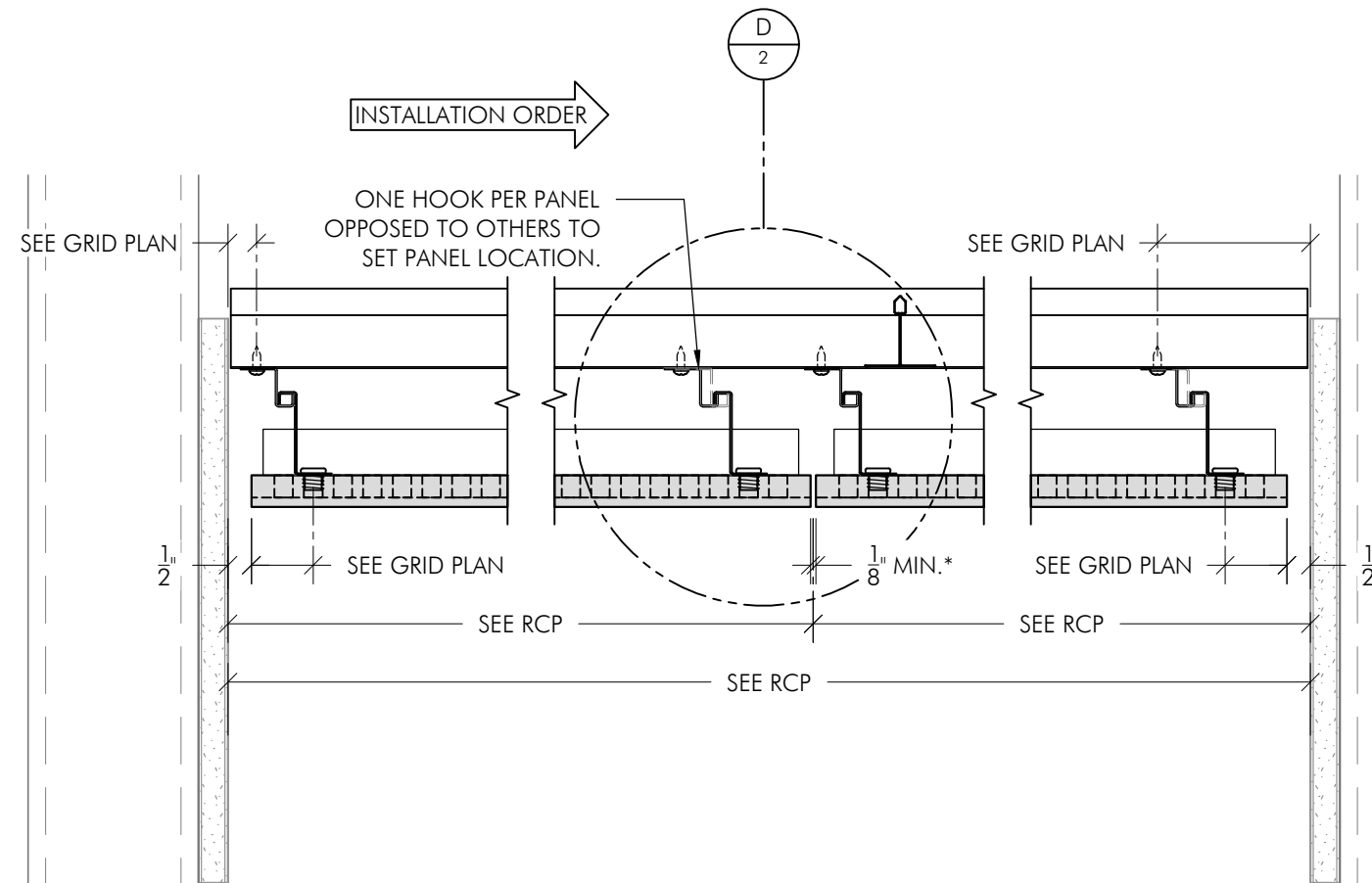
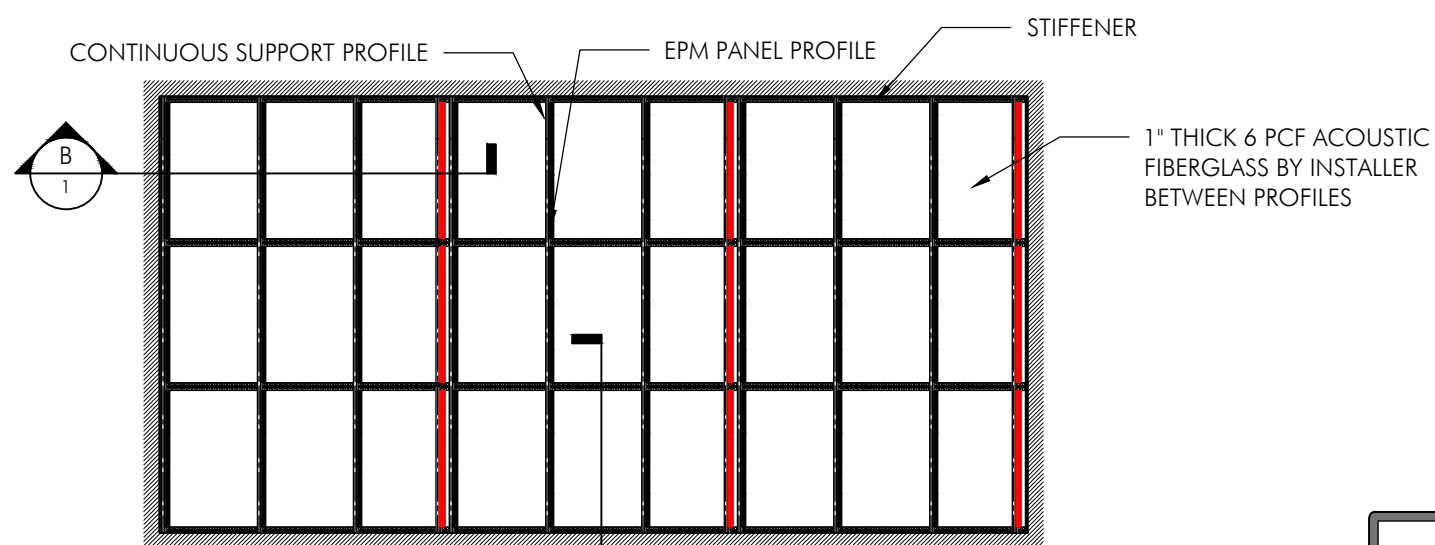


A TRANSVERSE SECTION
SCALE: 3"=1'-0" REF: C/1



B LONGITUDINAL SECTION
SCALE: 3"=1'-0" REF: C/1

* ALLOW 3/16" MIN. REVEALS FOR PANELS OVER 118" LONG



DIMENSIONS WILL BE PROVIDED WITH SHOP DRAWING SUBMITTAL

PRIMARY GRID BY INSTALLER NOT SHOWN

C GRID PLAN
SCALE: 1/4"=1'-0"

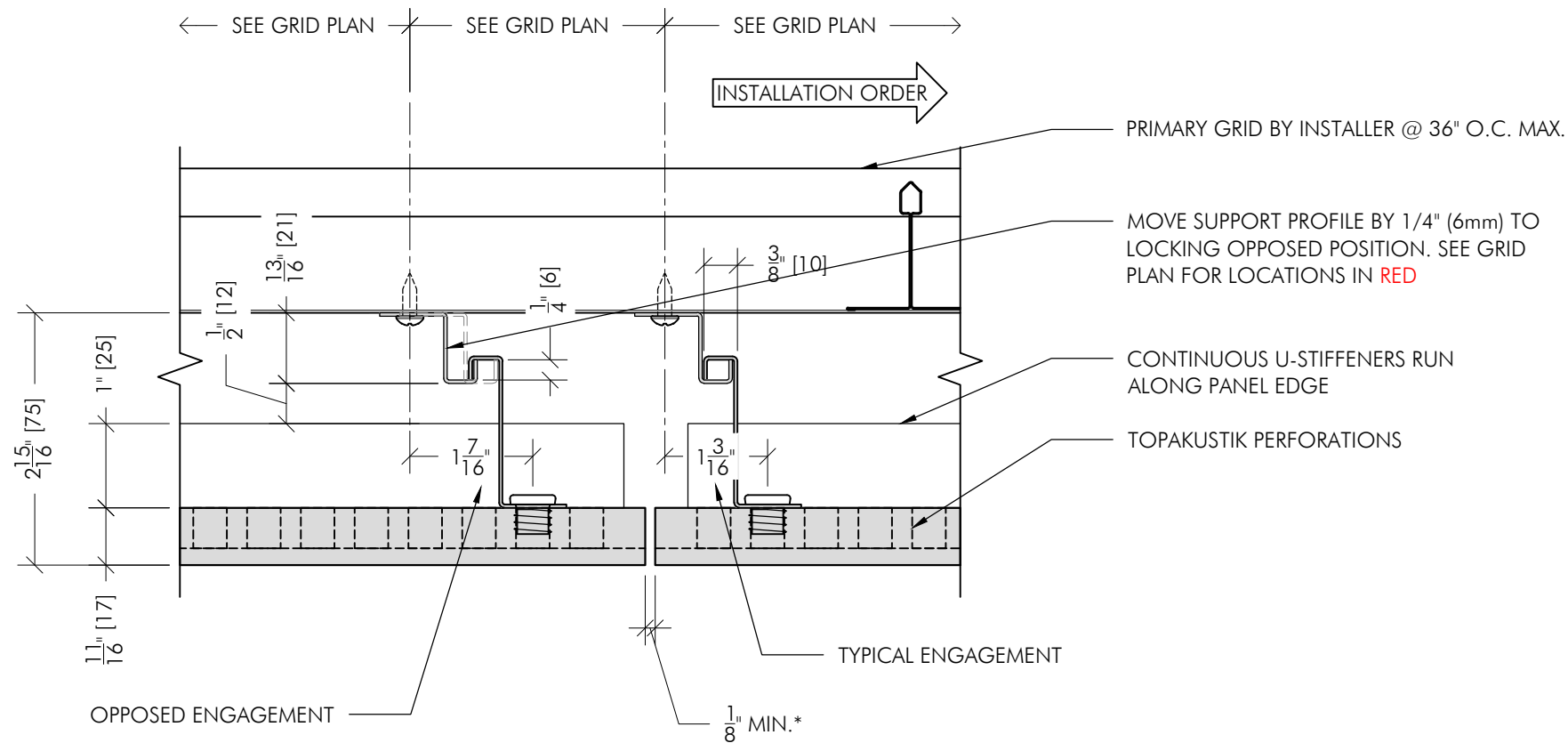
TOPAKUSTIK PANEL
EPM MOUNT CEILING 1

TOP(A)K(U)S(T)I(K)
(410) 849-4333 | www.topakustikusa.com
Production Tolerance: ±1/32" PER 36" of product

SCALE:	NOTED
PAGE:	1/3
DRAWN BY:	WRM
DATE:	11/23/2021
3 rd ANG. PROJ	

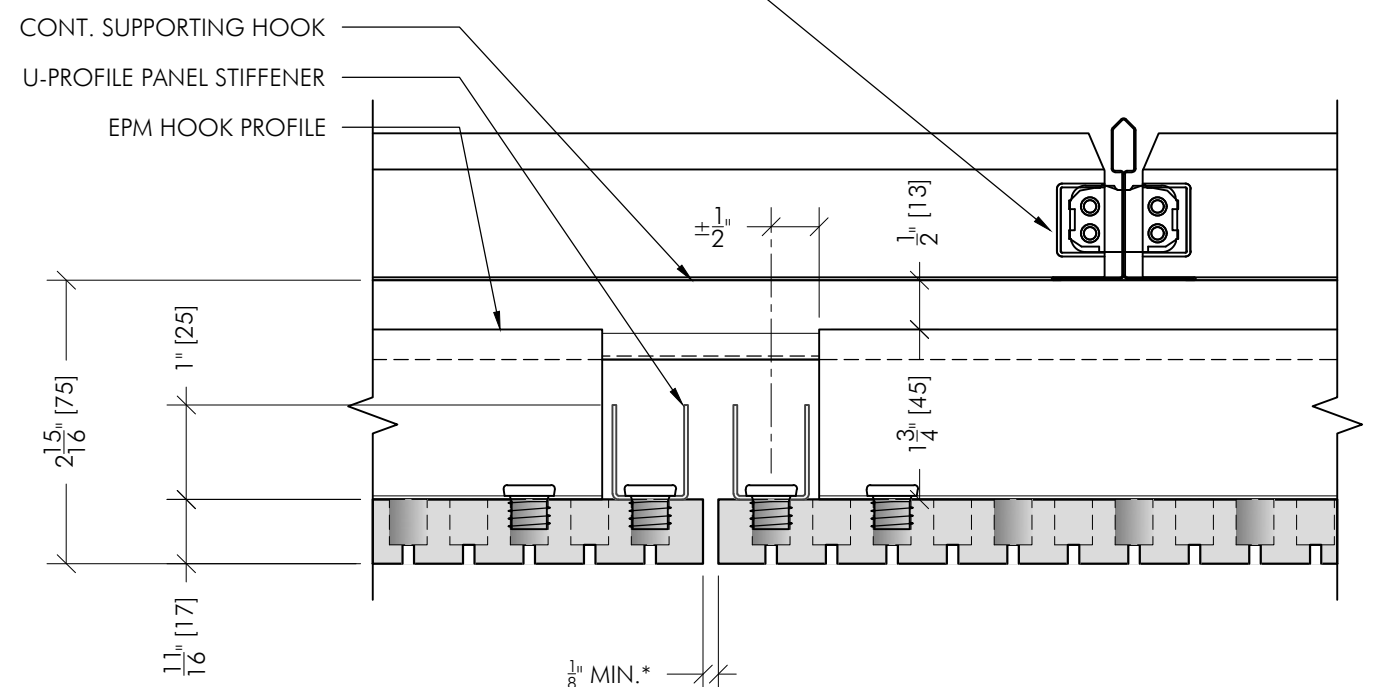
These drawings show typical installation conditions for Topakustik® and Topperfo® products. They do not account for the specific requirements of local building codes, laws, etc. that may be applicable for a particular installation. Topakustik® does not warrant, and assumes no liability for the accuracy or completeness of the drawings for a particular installation or their fitness for a particular purpose. The user is advised to consult with a duly licensed architect or engineer in the particular local of the installation to assure compliance with all legal requirements. Topakustik® is not licensed to provide professional engineering design services.

* ALLOW 3/16" MIN. REVEALS FOR PANELS OVER 118" LONG



D REVEAL SECTION 1
SCALE: 6"=1'-0" REF: B/1

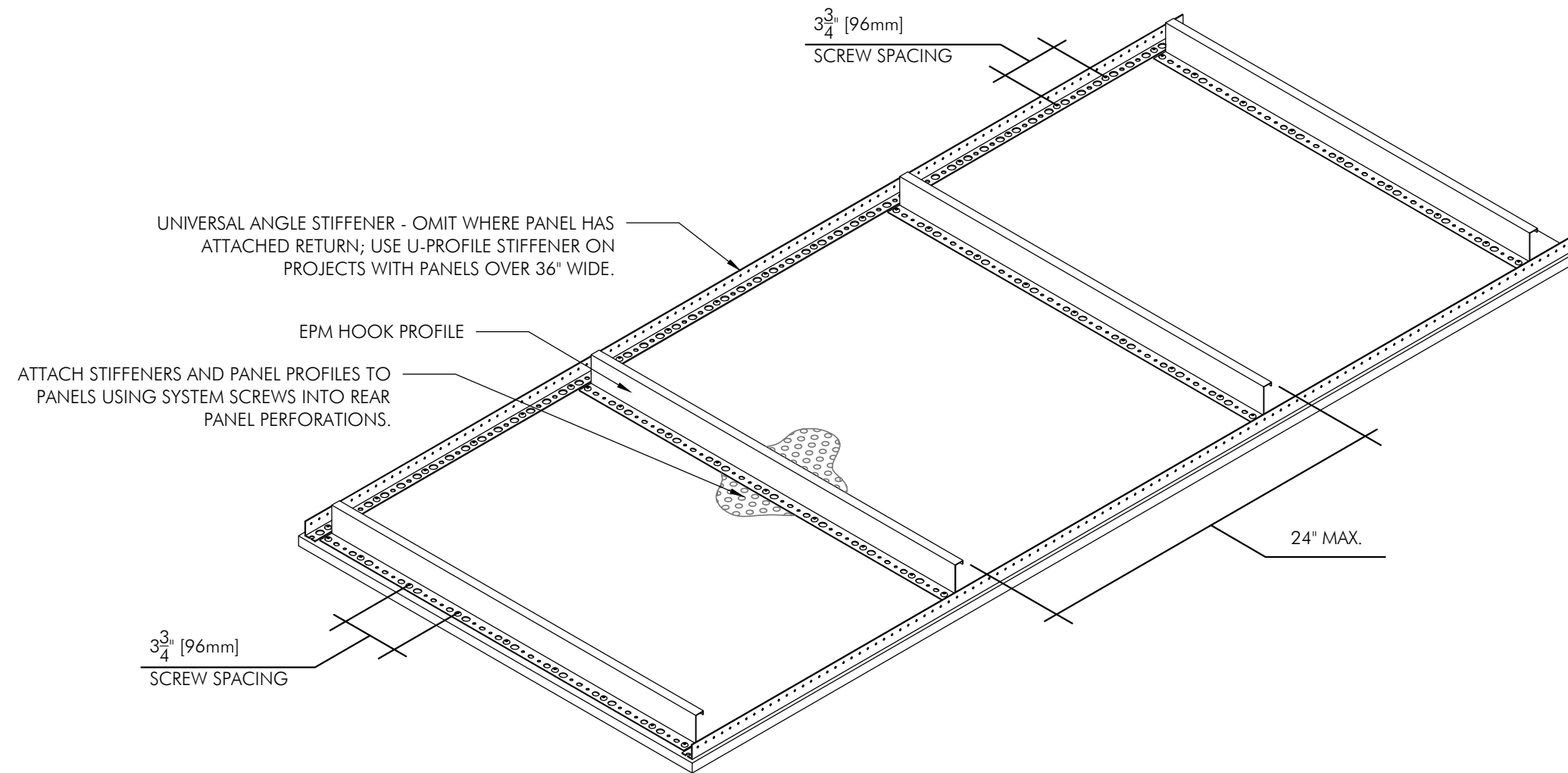
DRYWALL TEE GRID BY INSTALLER -
SUPPORT EPM RECEIVER 36" O.C. MAX.



E REVEAL SECTION 2
SCALE: 6"=1'-0" REF: A/1

TOPAKUSTIK PANEL EPM MOUNT CEILING 2	TOP(A)K(U)S(T)I(K)	SCALE: NOTED PAGE: 2/3 DRAWN BY: WRM DATE: 11/23/2022 3 rd ANG. PROJ.
	(410) 849-4333 www.topakustikusa.com Production Tolerance: ±1/32" PER 36" of product	

These drawings show typical installation conditions for Topakustik® and Topperfo® products. They do not account for the specific requirements of local building codes, laws, etc. that may be applicable for a particular installation. Topakustik® does not warrant, and assumes no liability for the accuracy or completeness of the drawings for a particular installation or their fitness for a particular purpose. The user is advised to consult with a duly licensed architect or engineer in the particular local of the installation to assure compliance with all legal requirements. Topakustik® is not licensed to provide professional engineering design services.



TOPAKUSTIK/TOPPERFO PANEL EPM MOUNT CEILING 3	TOPAKUSTIK	SCALE: NTS PAGE: 3/3 DRAWN BY: WRM DATE: 11/23/2021 3 rd ANG. PROJ.
	(410) 849-4333 www.topakustikusa.com Production Tolerance: ±1/32" PER 36" of product	

These drawings show typical installation conditions for Topakustik® and Topperfo® products. They do not account for the specific requirements of local building codes, laws, etc. that may be applicable for a particular installation. Topakustik® does not warrant, and assumes no liability for the accuracy or completeness of the drawings for a particular installation or their fitness for a particular purpose. The user is advised to consult with a duly licensed architect or engineer in the particular local of the installation to assure compliance with all legal requirements. Topakustik® is not licensed to provide professional engineering design services.