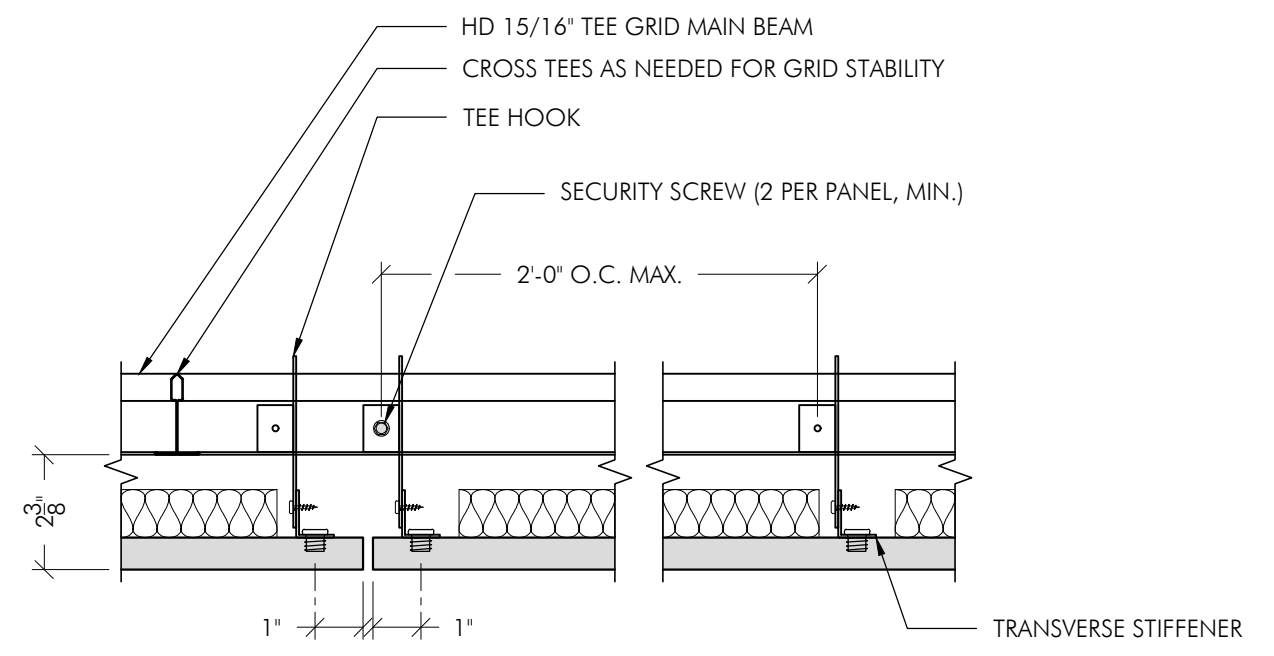
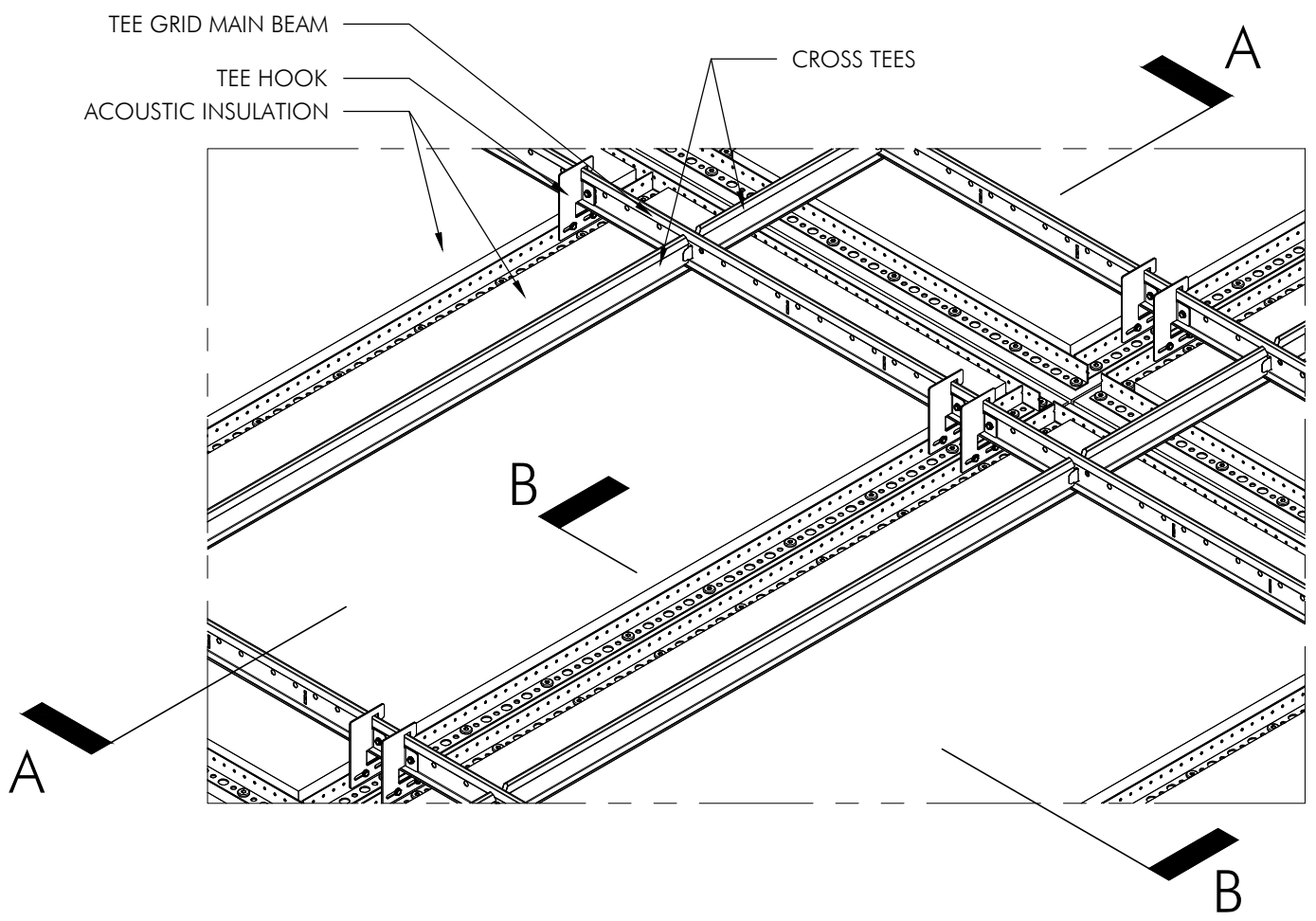


A-A 3" = 1'-0"



B-B 3" = 1'-0"

TOPAKUSTIK PANELS TEE HOOK INSTALLATION	TOPAKUSTIK 	SCALE: 3" = 1'-0" PAGE: 1/1 DRAWN BY: WRM DATE: 08/23/2018 3 rd ANG. PROJ. 
	(410) 849-4333 www.topakustikusa.com Production Tolerance: ±1/32" PER 36" of product	

These drawings show typical installation conditions for Topakustik® and Topperfo® products. They do not account for the specific requirements of local building codes, laws, etc. that may be applicable for a particular installation. Topakustik® does not warrant, and assumes no liability for the accuracy or completeness of the drawings for a particular installation or their fitness for a particular purpose. The user is advised to consult with a duly licensed architect or engineer in the particular local of the installation to assure compliance with all legal requirements. Topakustik® is not licensed to provide professional engineering design services.