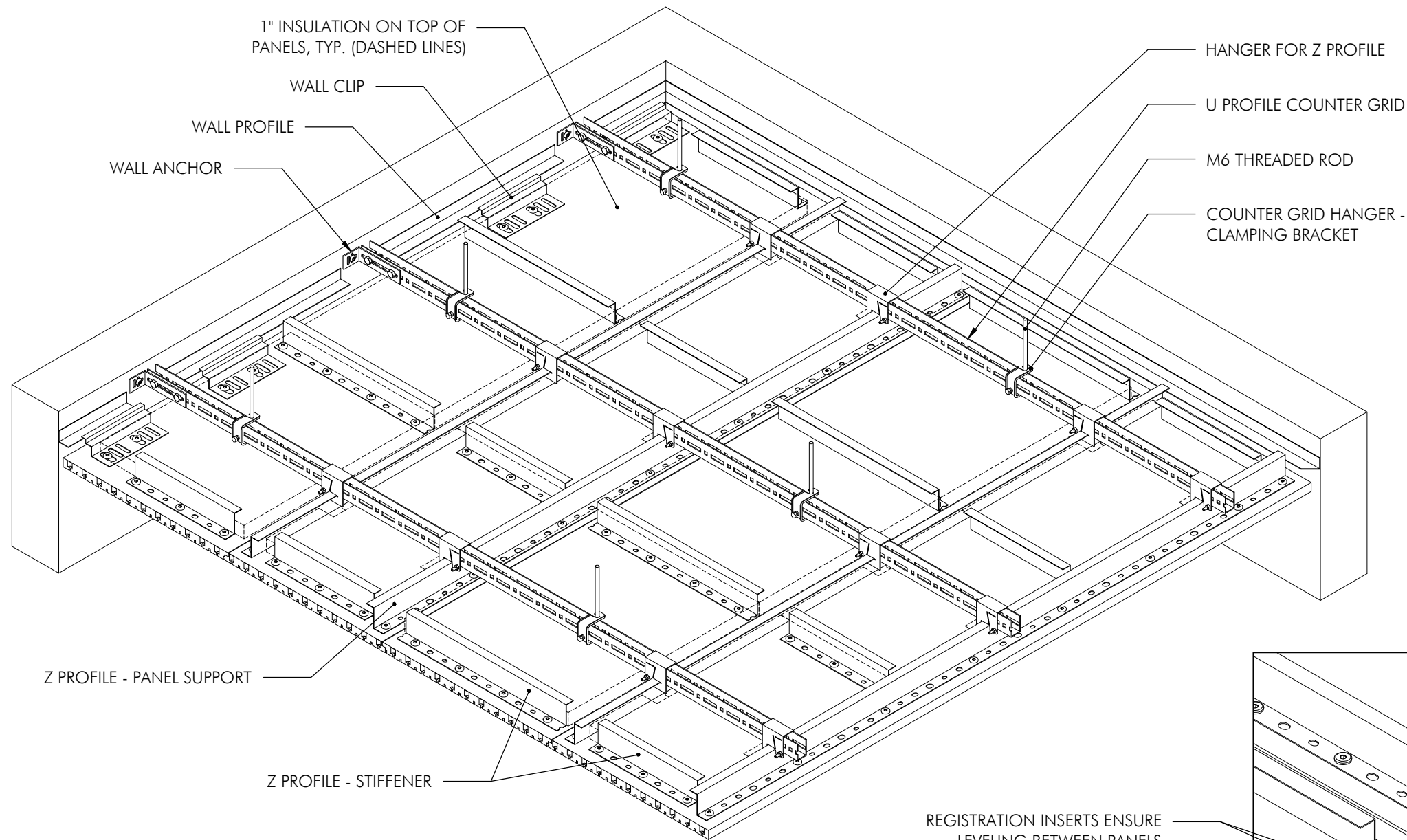
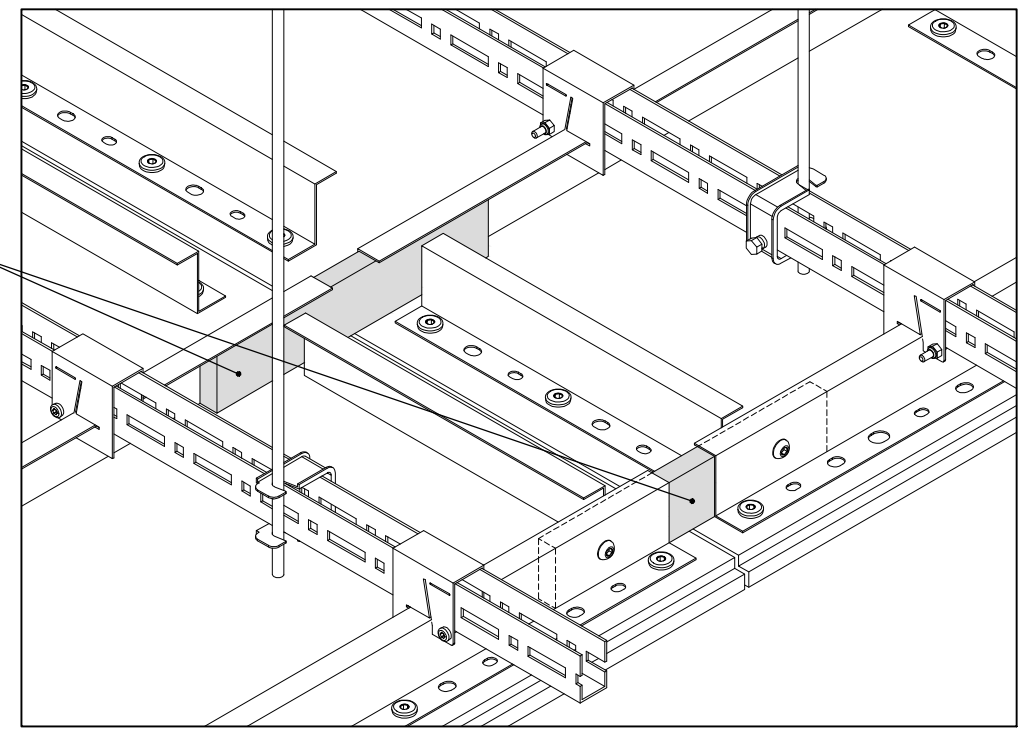


USE FIBERGLASS PER SPECIFICATION.
PROVIDED BY INSTALLER UNLESS NOTED
OTHERWISE.




REGISTRATION INSERTS ENSURE
LEVELING BETWEEN PANELS
(BOLTED TO Z PROFILE)



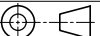
Z GRID

SYSTEM OVERVIEW - ISO VIEW

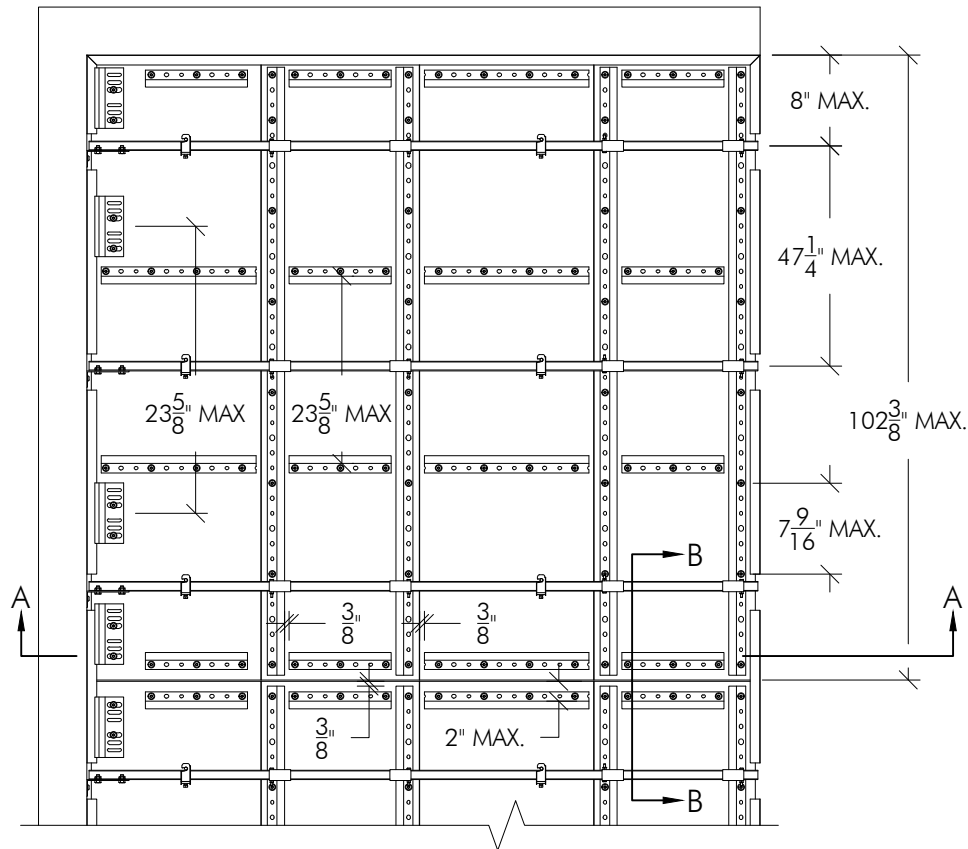
TOPAKUSTIK 

(410) 849-4333 | www.topakustikusa.com

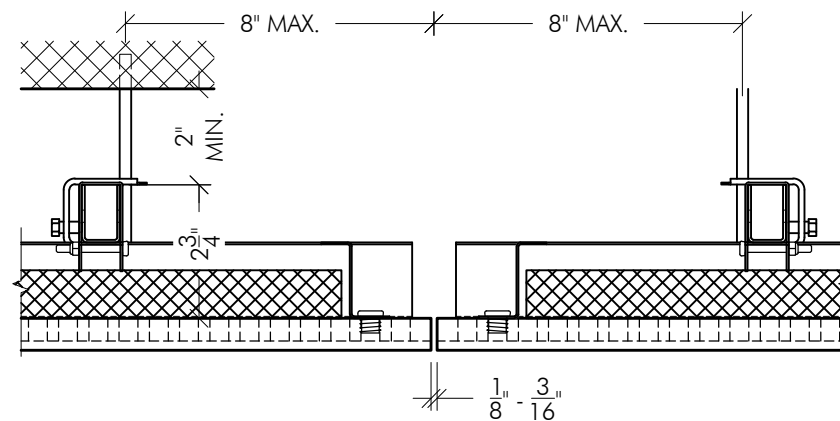
Production Tolerance: ±1/32" PER 36" of product

SCALE:	NTS
PAGE:	1/2
DRAWN BY:	WRM
DATE:	03/24/2016
3 rd ANG. PROJ.	

These drawings show typical installation conditions for Topakustik® and Topperfo® products. They do not account for the specific requirements of local building codes, laws, etc. that may be applicable for a particular installation. Topakustik® does not warrant, and assumes no liability for the accuracy or completeness of the drawings for a particular installation or their fitness for a particular purpose. The user is advised to consult with a duly licensed architect or engineer in the particular local of the installation to assure compliance with all legal requirements. Topakustik® is not licensed to provide professional engineering design services.

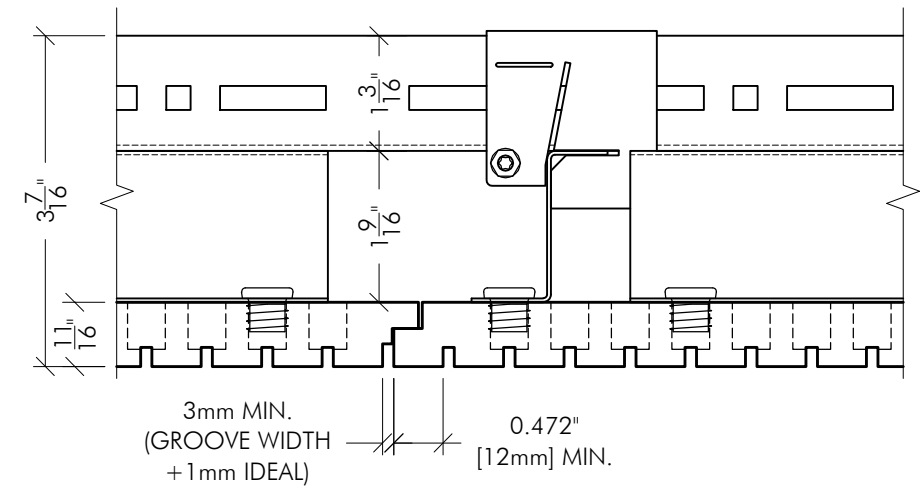


GRID PLAN $\frac{3}{4}''=1'-0''$

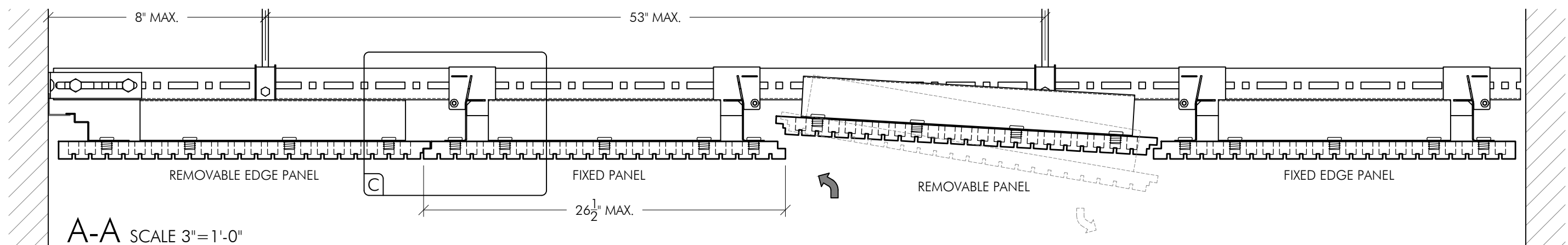


B-B SCALE $3''=1'-0''$

ACTUAL THICKNESS OF
TOPAKUSTIK/TOPPERFO PANEL IS 16mm
(PAINTED) OR 17mm (VENEERED)



C SCALE $6''=1'-0''$



A-A SCALE $3''=1'-0''$

MAX ELEMENT SPACING

COUNTER GRID - $47\frac{1}{4}''$ (1200mm) O.C. 8" FROM EDGE
 HANGERS - $53''$ (1350mm) O.C.
 WALL CLIPS - $23\frac{5}{8}''$ (600mm) O.C. 4" FROM EDGE
 STIFFENERS - $23\frac{3}{8}''$ (600mm) O.C. 2" FROM EDGE

Z PROFILE SCREWS - $7\frac{2}{16}''$ (192mm) O.C.
 STD PANEL LENGTH - $109\frac{1}{2}''$ (2780mm)
 PNL WIDTH STD MDF - $26\frac{1}{2}''$ (672mm) - IDEAL $25\frac{3}{16}''$ (640mm)
 PNL WIDTH NAUF MDF - $26\frac{1}{2}''$ (672mm) - IDEAL $23\frac{15}{16}''$ (608mm)

(IDEAL PANEL WIDTH IS BASED ON MATERIAL YIELD AND PATTERN PITCH)

Z GRID - TOPAKUSTIK PANELS

SYSTEM OVERVIEW - DETAILS

TOPAKUSTIK

(410) 849-4333 | www.topakustikusa.com

Production Tolerance: $\pm 1/32''$ PER 36" of product

SCALE: NOTED

PAGE: 2/2

DRAWN BY: WRM

DATE: 03/24/2016

3rd ANG. PROJ.