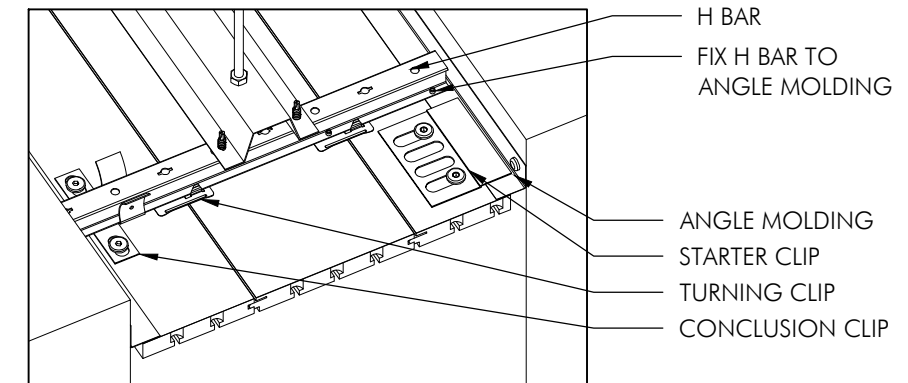
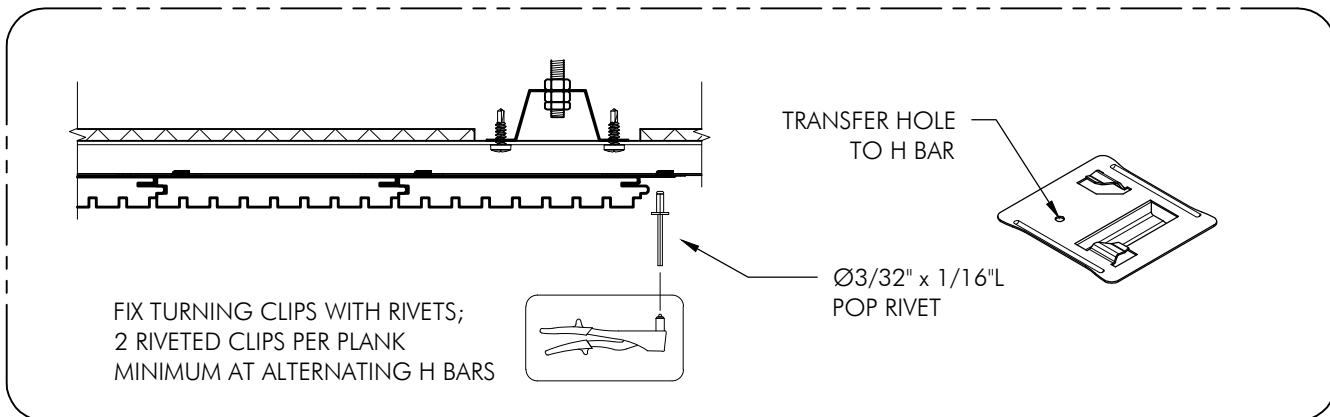
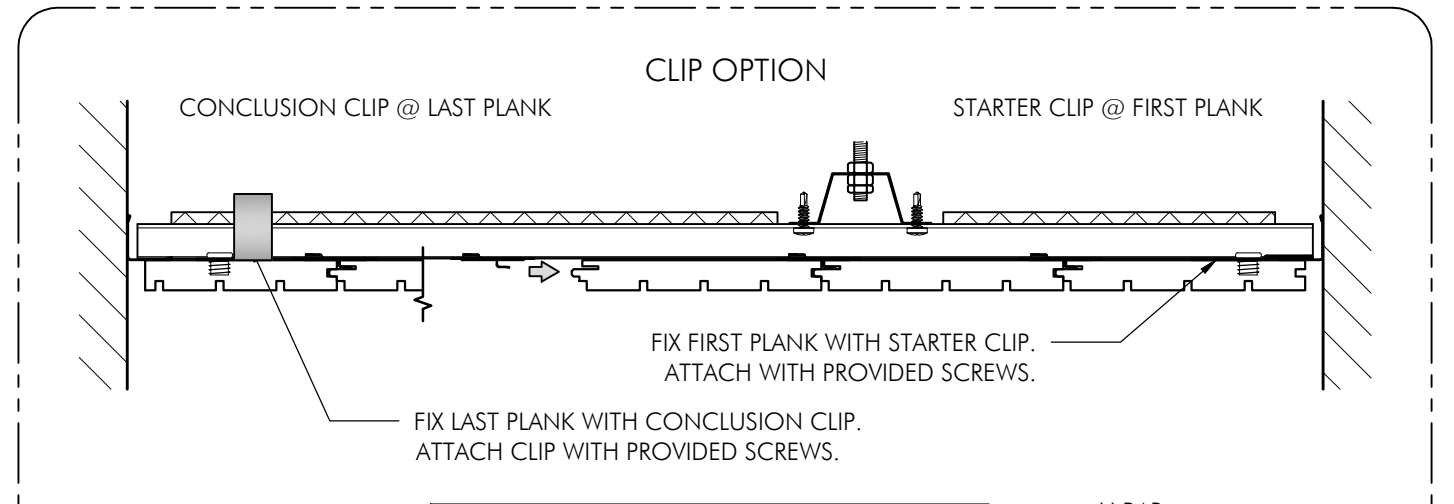
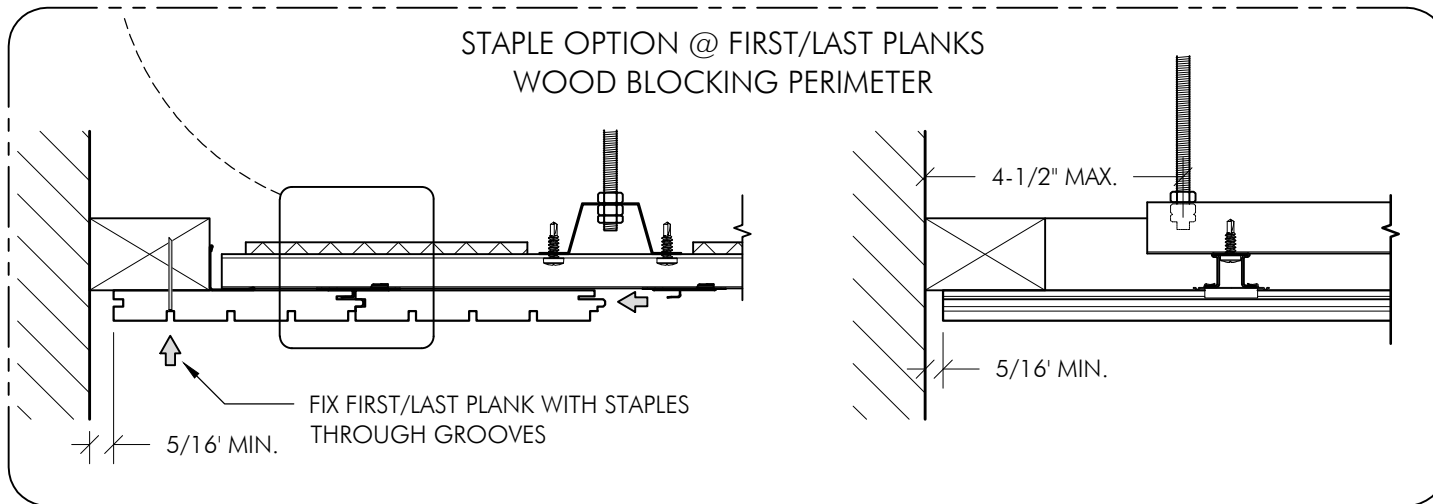


BRACING GRID AT 12' O.C. WILL HELP TO KEEP CEILING SQUARE AND IMPROVE EASE OF INSTALLATION.



TOPAKUSTIK PLANKS

H BAR W/ TURNING CLIPS

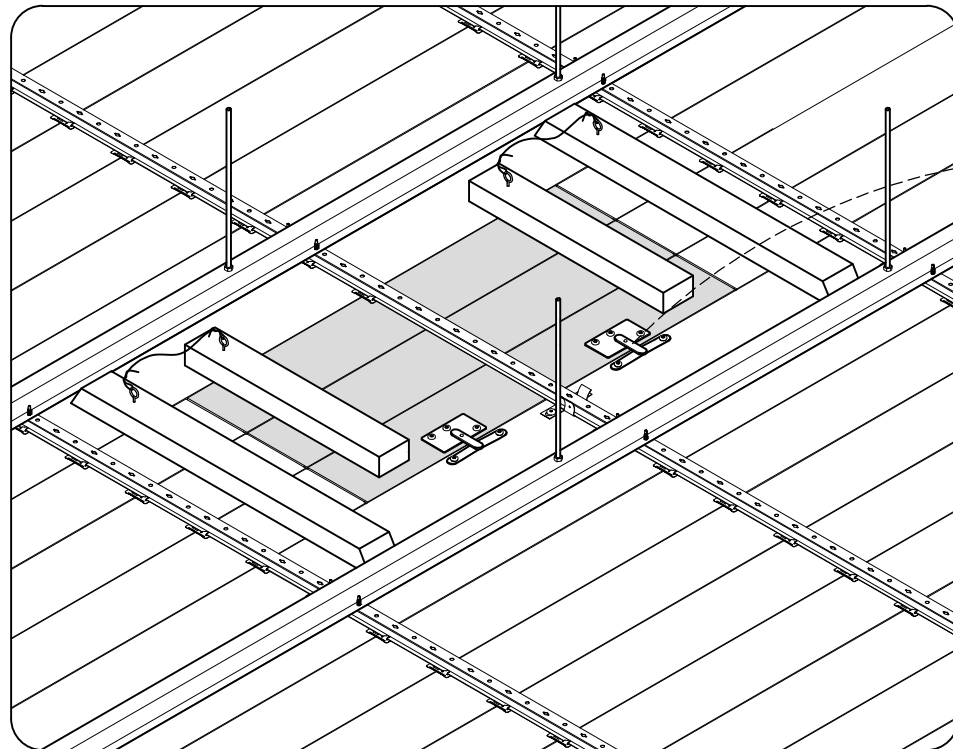
TOP(A)K(U)S(T)I(K)

(410) 849-4333 | www.topakustikusa.com

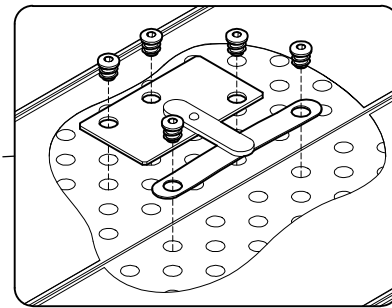
Production Tolerance: ±1/32" PER 36" of product

SCALE:	NTS
PAGE:	1/2
DRAWN BY:	WRM
DATE:	02/25/2019
3 rd ANG. PROJ	

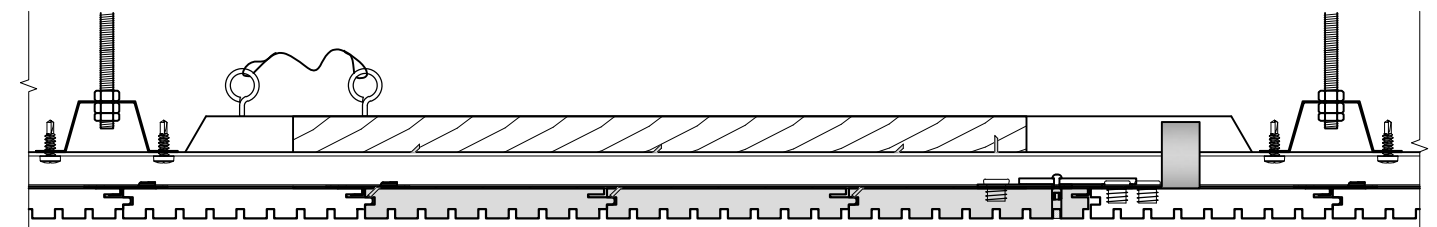
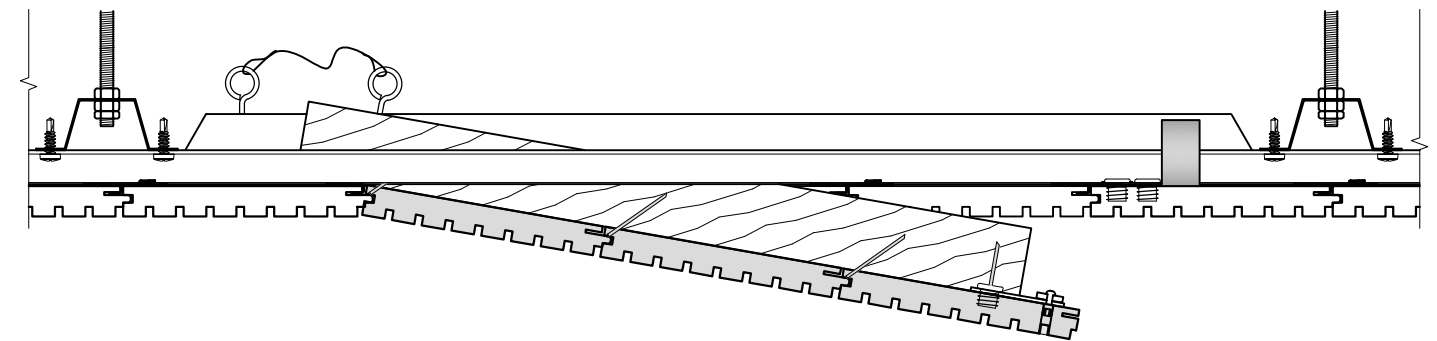
These drawings show typical installation conditions for Topakustik® and Topperfo® products. They do not account for the specific requirements of local building codes, laws, etc. that may be applicable for a particular installation. Topakustik® does not warrant, and assumes no liability for the accuracy or completeness of the drawings for a particular installation or their fitness for a particular purpose. The user is advised to consult with a duly licensed architect or engineer in the particular local of the installation to assure compliance with all legal requirements. Topakustik® is not licensed to provide professional engineering design services.



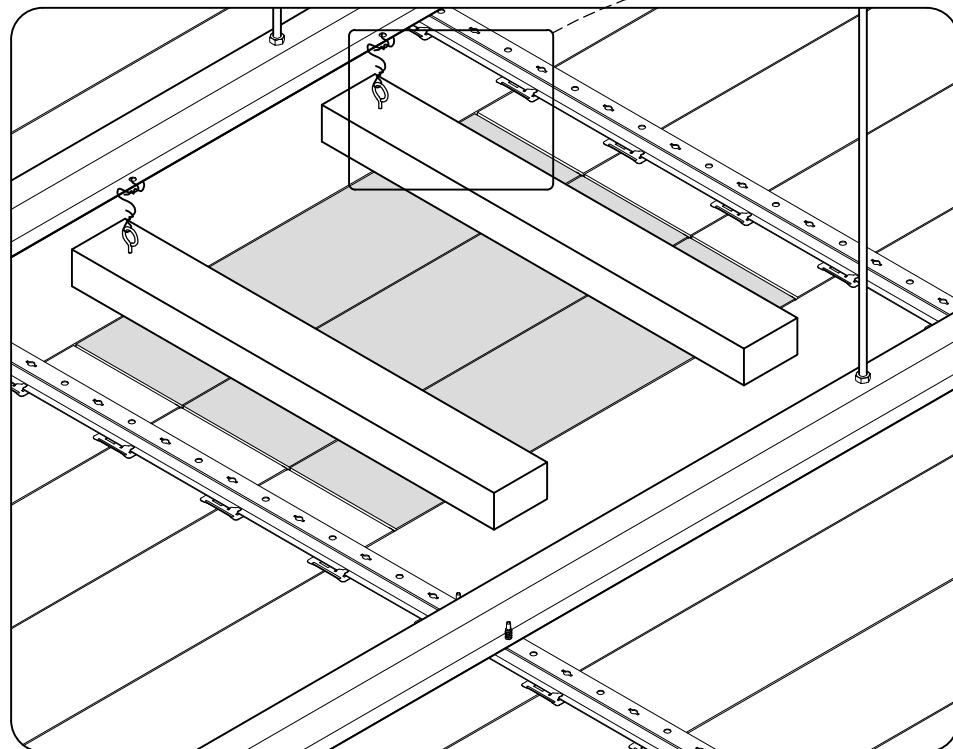
DOWNWARD OPENING HATCH



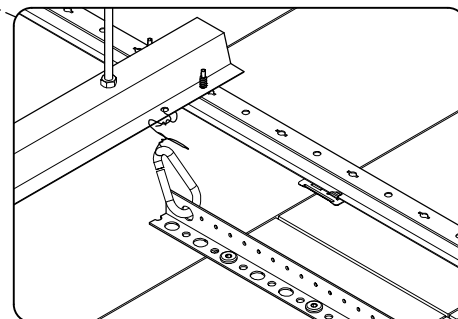
LATCH SET



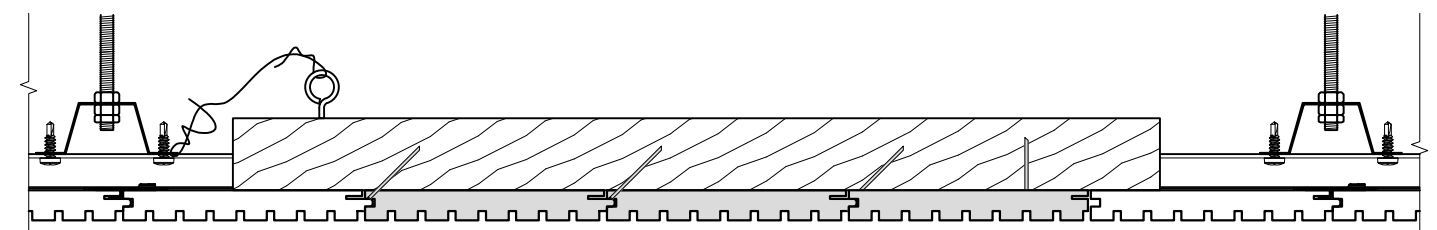
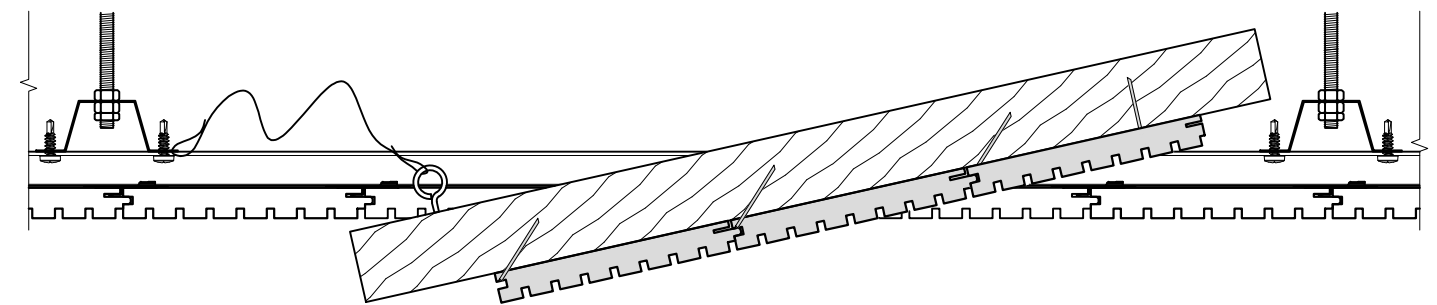
DOWNWARD OPENING HATCH



UPWARD OPENING HATCH



UNIVERSAL ANGLE OPTION



UPWARD OPENING HATCH

CONSTRUCT PANEL OUT OF UP TO 4 PLANKS (20") BY STAPLING TO BLOCKING THROUGH GROOVING. CUT ASSEMBLED PANEL TO LENGTH. CUT OFF TONGUE ON OPERABLE EDGE. USE LATCH HARDWARE WHEN LIFTING AREA IS OBSTRUCTED. TO OPERATE LATCH, INSERT ALLEN KEY (Ø3mm) THROUGH GROOVING AND TURN 1/4 TURN TO RELEASE. DRILL 3mm HOLE WHERE USED WITH 2mm GROOVING.

TOPAKUSTIK PLANKS

H BAR GRID ACCESS PANELS

TOPAKUSTIK

(410) 849-4333 | www.topakustikusa.com

Production Tolerance: ±1/32" PER 36" of product

SCALE:	NTS
PAGE:	2/2
DRAWN BY:	WRM
DATE:	03/24/2016
3 rd ANG. PROJ	

These drawings show typical installation conditions for Topakustik® and Topperfo® products. They do not account for the specific requirements of local building codes, laws, etc. that may be applicable for a particular installation. Topakustik® does not warrant, and assumes no liability for the accuracy or completeness of the drawings for a particular installation or their fitness for a particular purpose. The user is advised to consult with a duly licensed architect or engineer in the particular local of the installation to assure compliance with all legal requirements. Topakustik® is not licensed to provide professional engineering design services.