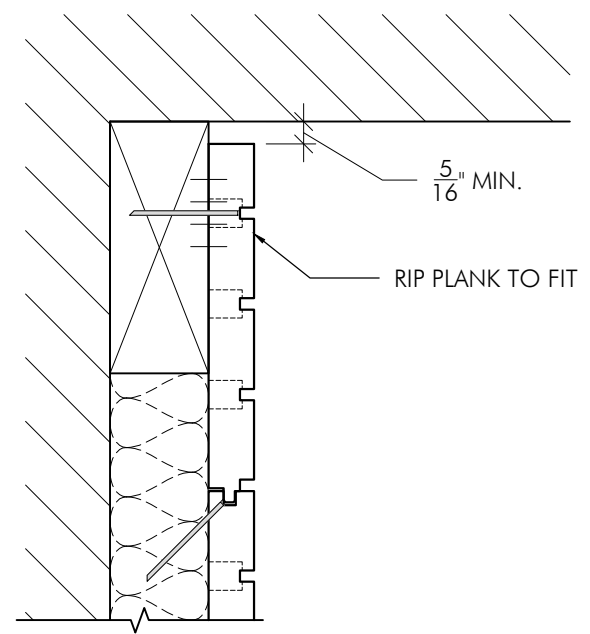
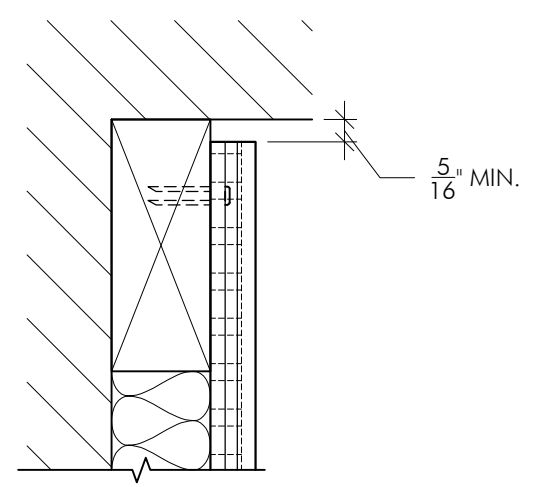


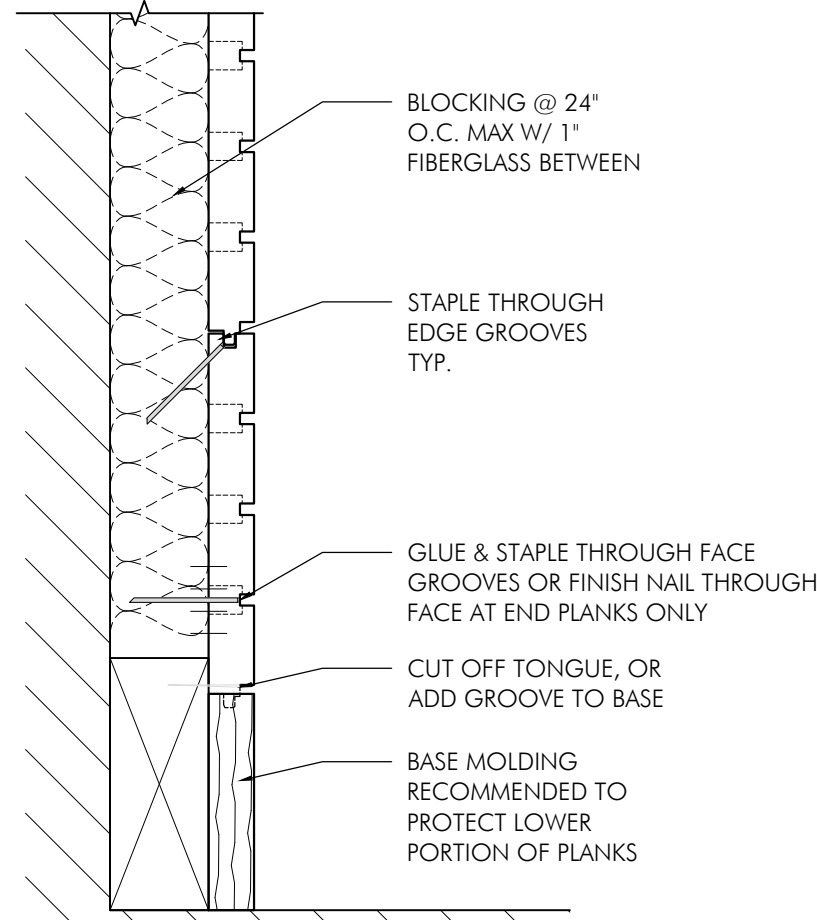
GENERAL NOTES FOR DIRECT MOUNT PLANKS
 ARRANGE TRANSVERSE JOINTS TO FALL ON BLOCKING.
 ARRANGE BLOCKING PERPENDICULAR TO PLANKS. ALLOW
 1/8" - 3/16" AT TRANSVERSE JOINTS FOR EXPANSION. USE
 FIBERGLASS PER SPECIFICATION (PROVIDED BY INSTALLER
 UNLESS NOTED OTHERWISE).



SECTION 'A-A'



SECTION 'B-B'



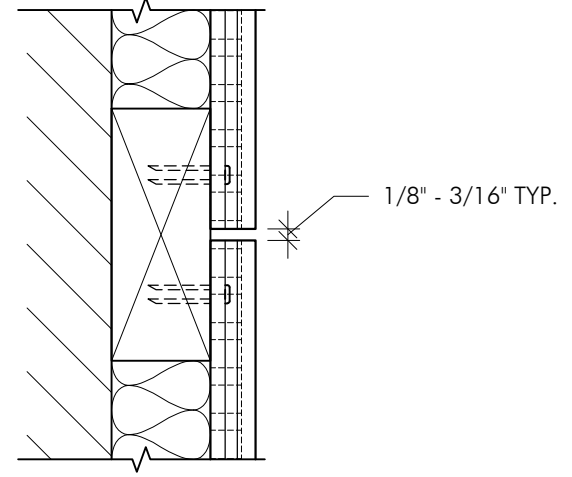
BLOCKING @ 24"
 O.C. MAX W/ 1"
 FIBERGLASS BETWEEN

STAPLE THROUGH
 EDGE GROOVES
 TYP.

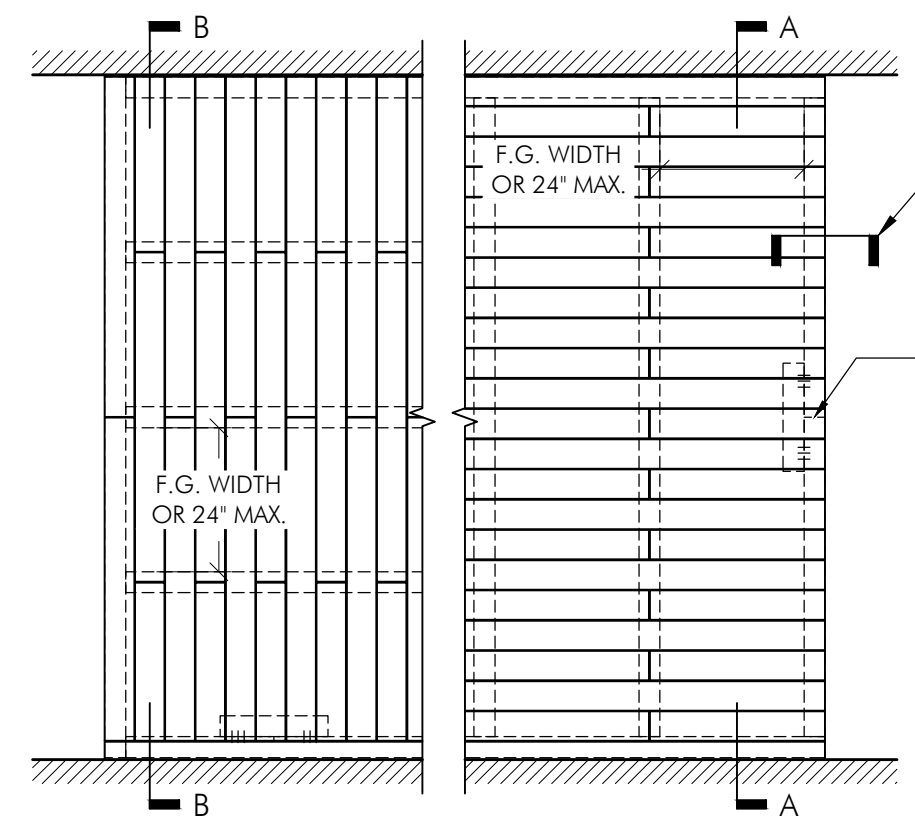
GLUE & STAPLE THROUGH FACE
 GROOVES OR FINISH NAIL THROUGH
 FACE AT END PLANKS ONLY

CUT OFF TONGUE, OR
 ADD GROOVE TO BASE

BASE MOLDING
 RECOMMENDED TO
 PROTECT LOWER
 PORTION OF PLANKS



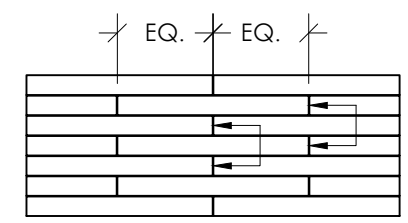
1/8" - 3/16" TYP.



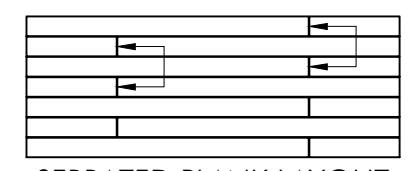
ELEVATION

SEE: 'PERIMETER
 OPTIONS'

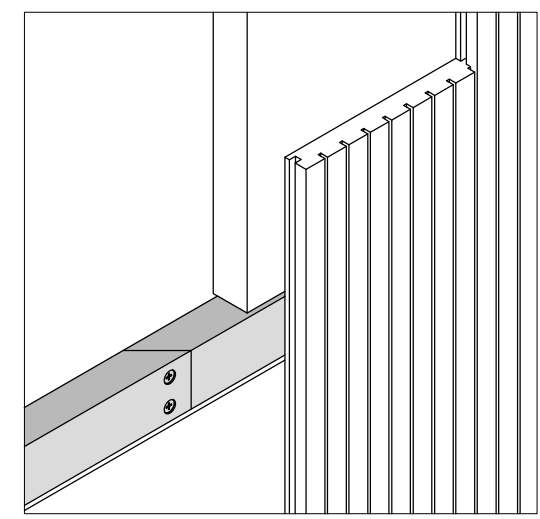
CONSTRAIN ENDS OF
 BLOCKING THAT DOES
 NOT RUN FULL LENGTH
 TO AVOID GAPS DUE
 TO CONTRACTION.



ENGLISH PLANK LAYOUT



SERRATED PLANK LAYOUT



CONSTRAIN ENDS OF BLOCKING
 TO PREVENT GAPS FORMING

TOPAKUSTIK PLANKS STAPLE MOUNTING - WALL	TOPAKUSTIK	SCALE: NTS PAGE: 1/1 DRAWN BY: WRM DATE: 03/30/2020 3 rd ANG. PROJ.
	(410) 849-4333 www.topakustikusa.com Production Tolerance: ±1/32" PER 36" of product	

These drawings show typical installation conditions for Topakustik® and Topperfo® products. They do not account for the specific requirements of local building codes, laws, etc. that may be applicable for a particular installation. Topakustik® does not warrant, and assumes no liability for the accuracy or completeness of the drawings for a particular installation or their fitness for a particular purpose. The user is advised to consult with a duly licensed architect or engineer in the particular local of the installation to assure compliance with all legal requirements. Topakustik® is not licensed to provide professional engineering design services.