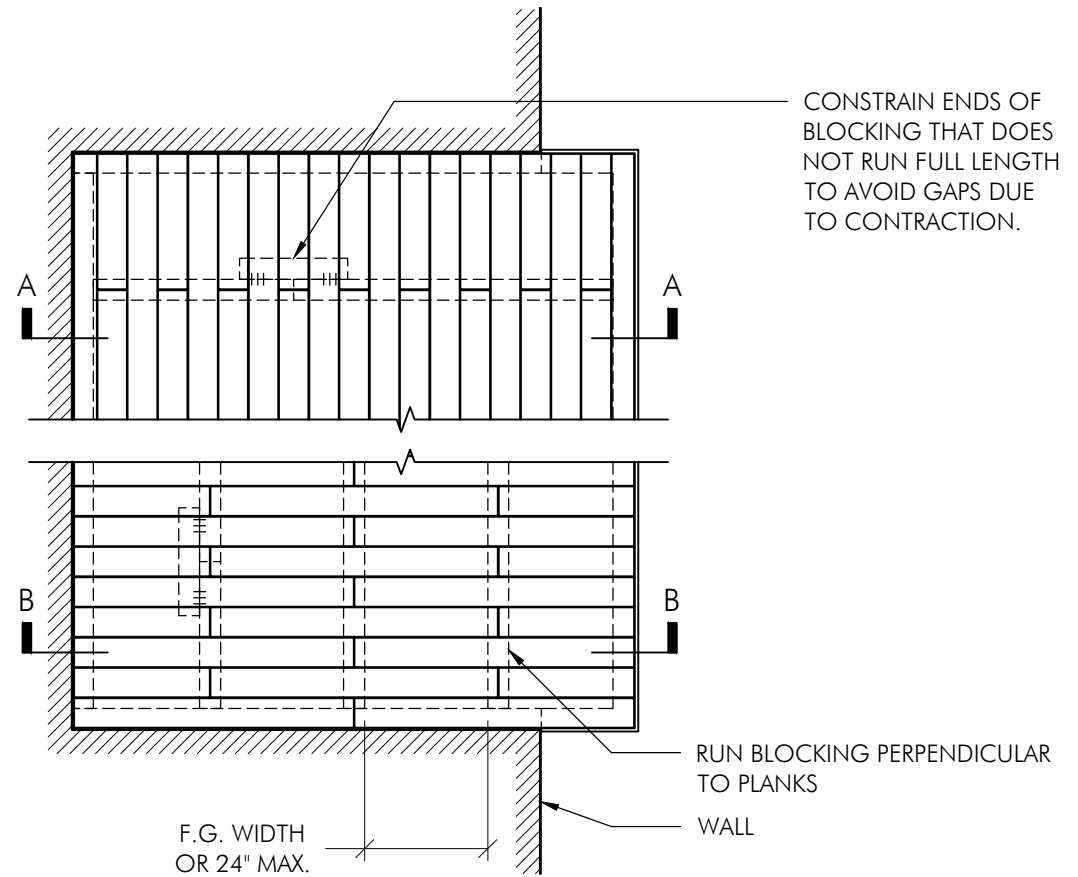
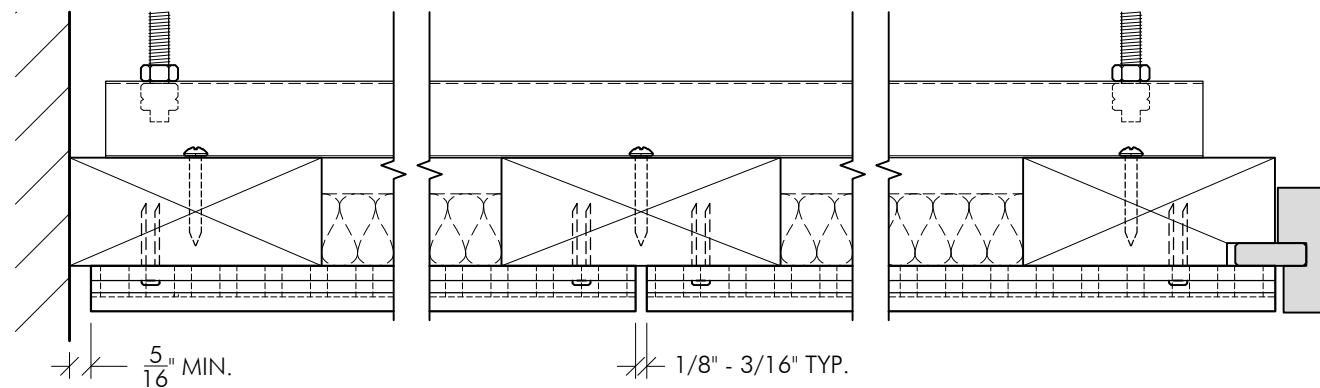


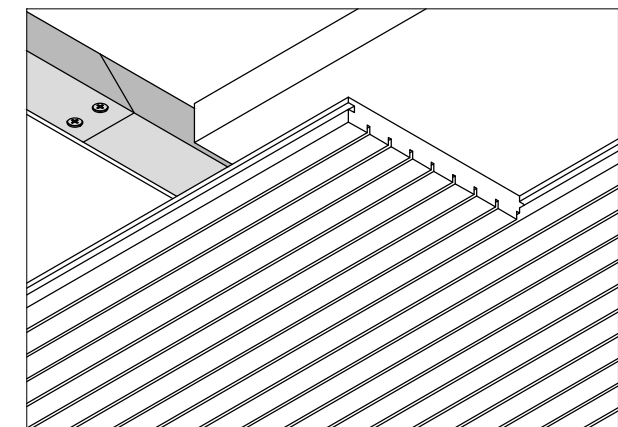
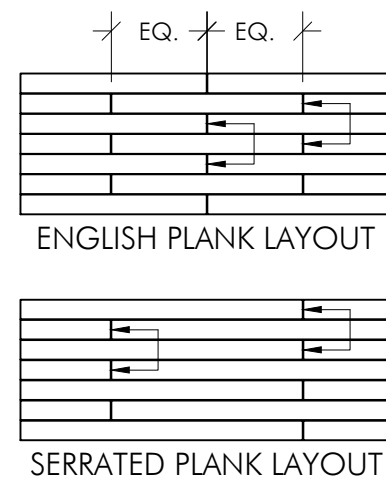
SECTION 'A-A'



REFLECTED CEILING PLAN



SECTION 'B-B'



CONSTRAIN ENDS OF BLOCKING TO PREVENT GAPS FORMING

GENERAL NOTES FOR DIRECT MOUNT PLANKS
 ARRANGE TRANSVERSE JOINTS TO FALL ON BLOCKING.
 ARRANGE BLOCKING PERPENDICULAR TO PLANKS. ALLOW 1/8" - 3/16" AT TRANSVERSE JOINTS FOR EXPANSION.
 ALLOW 5/16" MIN. AT EDGES FOR EXPANSION. USE FIBERGLASS PER SPECIFICATION (PROVIDED BY INSTALLER UNLESS NOTED OTHERWISE).

TOPAKUSTIK PLANKS

STAPLE MOUNTING - CEILING

TOPAKUSTIK

(410) 849-4333 | www.topakustikusa.com

Production Tolerance: ±1/32" PER 36" of product

SCALE:	NTS
PAGE:	1/1
DRAWN BY:	WRM
DATE:	03/24/2016
3 rd ANG. PROJ.	

These drawings show typical installation conditions for Topakustik® and Topperfo® products. They do not account for the specific requirements of local building codes, laws, etc. that may be applicable for a particular installation. Topakustik® does not warrant, and assumes no liability for the accuracy or completeness of the drawings for a particular installation or their fitness for a particular purpose. The user is advised to consult with a duly licensed architect or engineer in the particular local of the installation to assure compliance with all legal requirements. Topakustik® is not licensed to provide professional engineering design services.