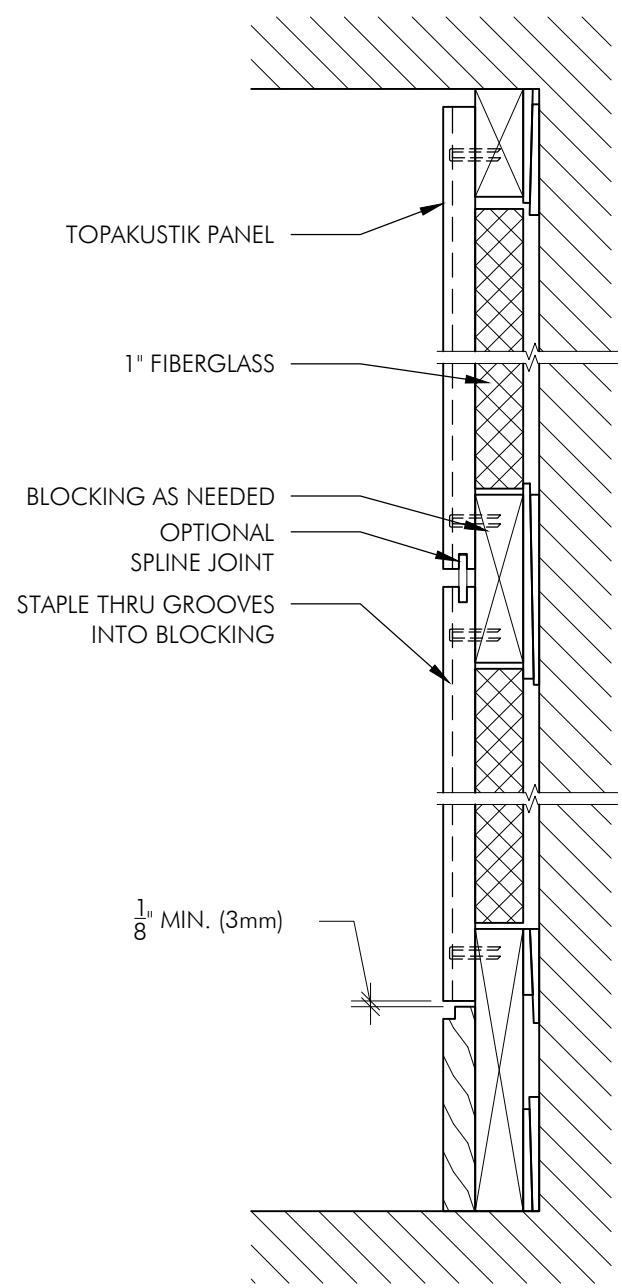
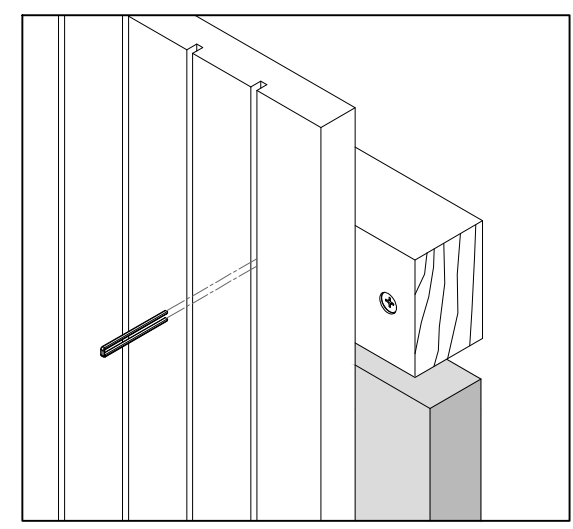


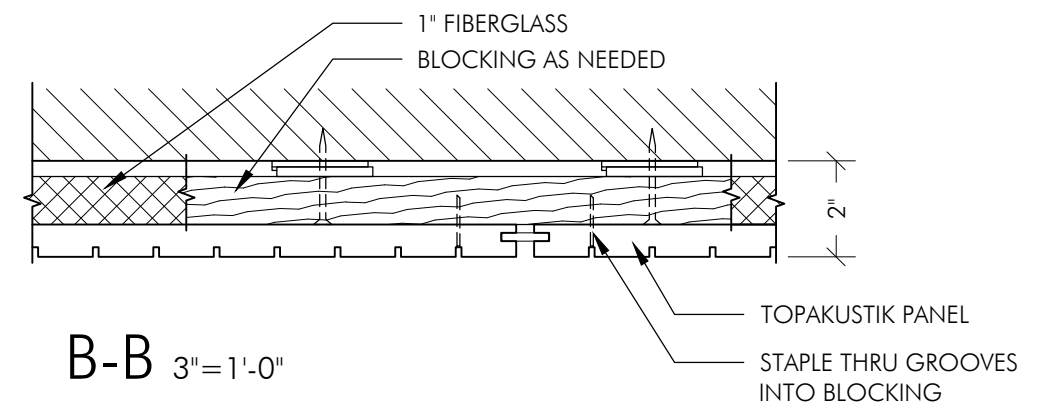
ELEVATION 1"=1'-0"



A-A 3"=1'-0"



ISO DETAIL



B-B 3"=1'-0"

SYSTEM SHOWN WITH TOTAL THICKNESS OF 2" ACHIEVED WITH 1" THICK BLOCKING SHIMMED PLUMB AND FLAT. ACTUAL MATERIAL USED IS DETERMINED BY INSTALLER. ACTUAL THICKNESS OF TOPAKUSTIK PANEL IS 16mm (0.630") PAINTED OR 17mm (0.669") VENEERED. USE FIBERGLASS PER SPECIFICATION (SUPPLIED BY INSTALLER UNLESS NOTED OTHERWISE).

TOPAKUSTIK PANELS STAPLE WALL MOUNT	TOPAKUSTIK	SCALE: NOTED PAGE: 1/1 DRAWN BY: WRM DATE: 03/24/2016 Production Tolerance: ±1/32" PER 36" of product 3 rd ANG. PROJ.
	(410) 849-4333 www.topakustikusa.com <small>These drawings show typical installation conditions for Topakustik® and Topperfo® products. They do not account for the specific requirements of local building codes, laws, etc. that may be applicable for a particular installation. Topakustik® does not warrant, and assumes no liability for the accuracy or completeness of the drawings for a particular installation or their fitness for a particular purpose. The user is advised to consult with a duly licensed architect or engineer in the particular local of the installation to assure compliance with all legal requirements. Topakustik® is not licensed to provide professional engineering design services.</small>	