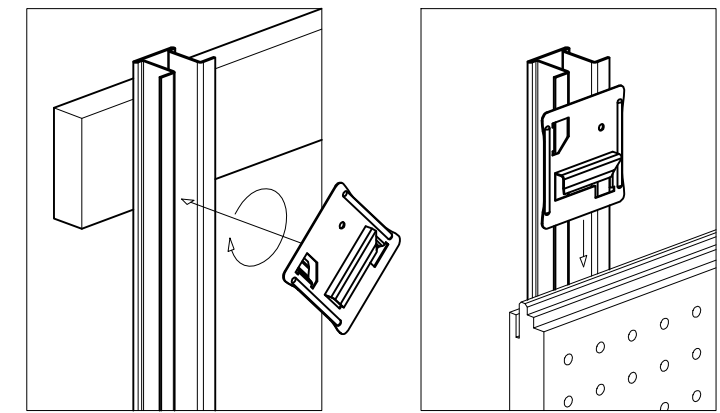
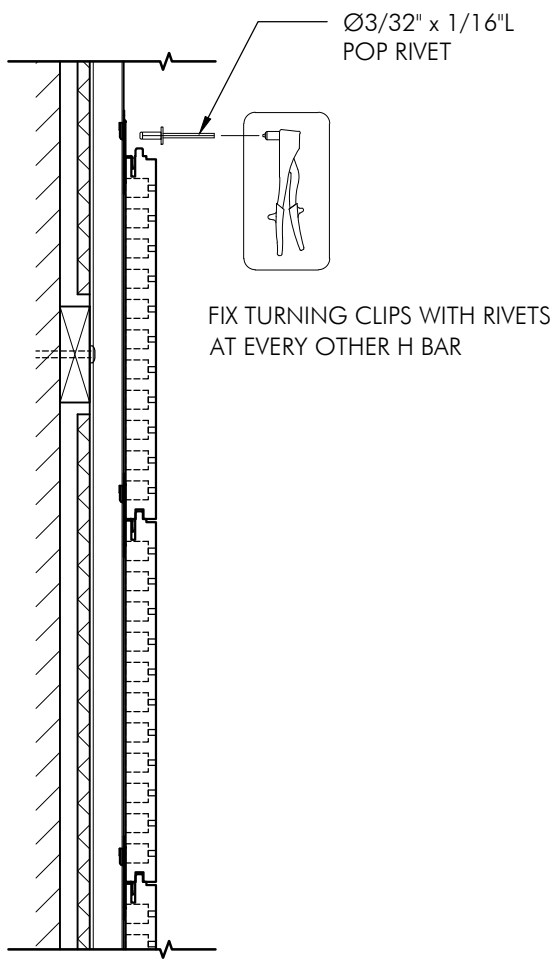
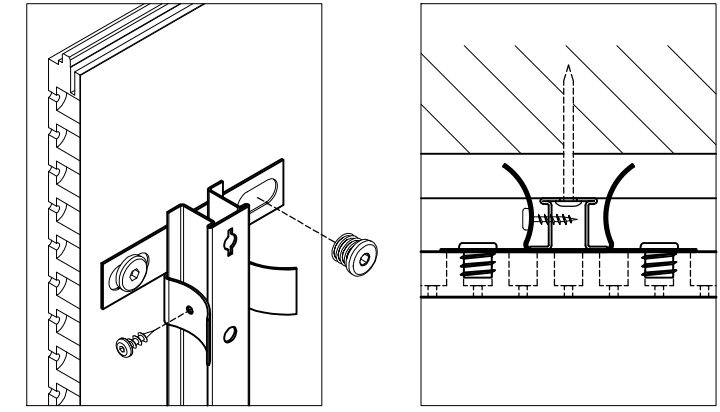


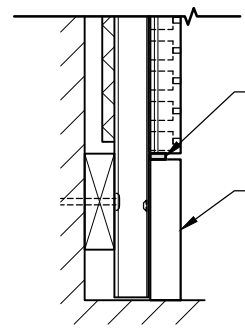
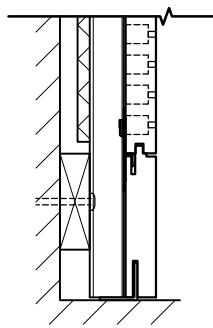
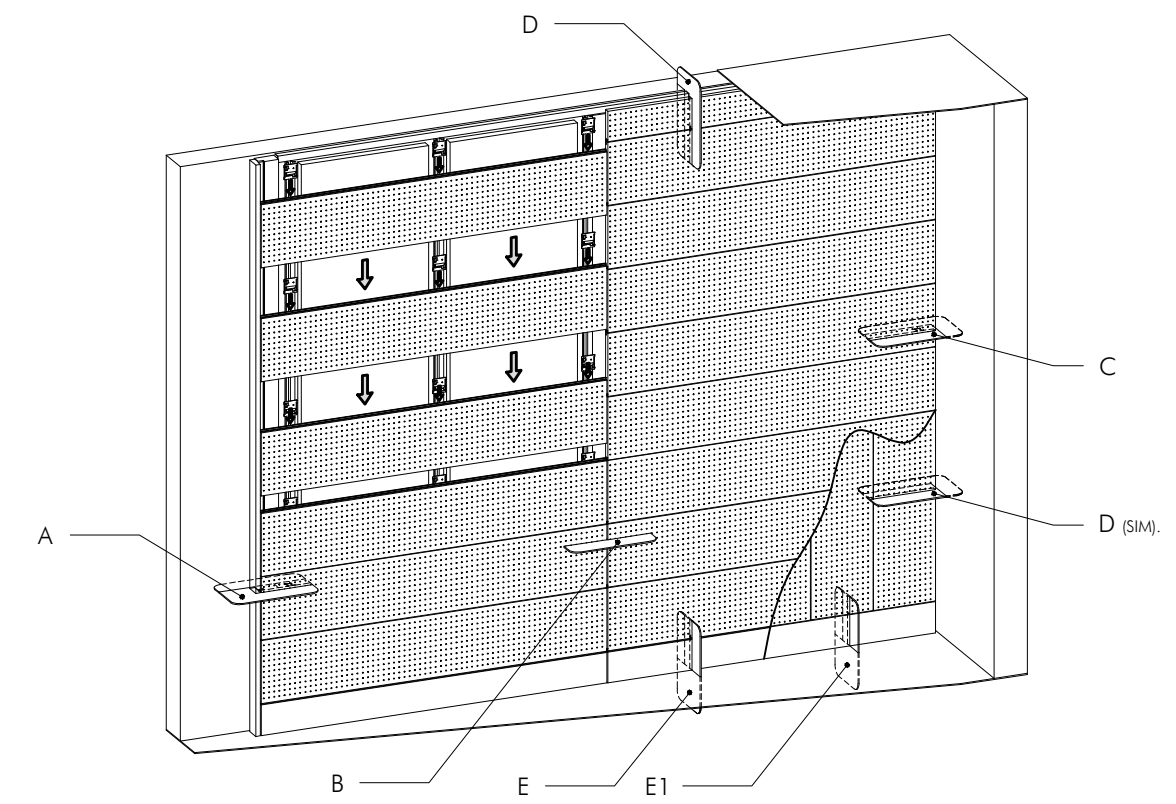
A SEE 'PERIMETER OPTIONS' FOR ADDITIONAL TERMINATION DETAILS



TURNING CLIP



CONCLUSION CLIP



SPACER TO CARRY THE WEIGHT OF THE PLANKS
 BASE MOLDING IS RECOMMENDED TO PROTECT LOWER PORTION OF PLANKS

ARRANGE TRANSVERSE JOINTS TO FALL ON BLOCKING. ARRANGE H BARS PERPENDICULAR TO PLANKS. ALLOW 1/8" - 3/16" AT TRANSVERSE JOINTS FOR EXPANSION. ALLOW 5/16" MIN. AT EDGES FOR EXPANSION. SYSTEM SHOWN WITH TOTAL THICKNESS OF 2" ACHIEVED WITH H BARS ON BLOCKING SHIMMED PLUMB AND FLAT. ACTUAL BLOCKING MATERIAL USED IS DETERMINED BY INSTALLER. ACTUAL THICKNESS OF TOPAKUSTIK PLANK IS 16mm (0.630") PAINTED OR 17mm (0.669") VENEERED. USE FIBERGLASS PER SPECIFICATION (SUPPLIED BY INSTALLER UNLESS NOTED OTHERWISE).

TOPPERFO PLANKS H BAR W/ TURNING CLIPS	TOP)A)K)U)S)T)I)K	SCALE: 3" = 1'-0" PAGE: 1/1 DRAWN BY: WRM DATE: 02/25/2019 3 rd ANG. PROJ.
	(410) 849-4333 www.topakustikusa.com Production Tolerance: ±1/32" PER 36" of product	

These drawings show typical installation conditions for Topakustik® and Topperfo® products. They do not account for the specific requirements of local building codes, laws, etc. that may be applicable for a particular installation. Topakustik® does not warrant, and assumes no liability for the accuracy or completeness of the drawings for a particular installation or their fitness for a particular purpose. The user is advised to consult with a duly licensed architect or engineer in the particular local of the installation to assure compliance with all legal requirements. Topakustik® is not licensed to provide professional engineering design services.