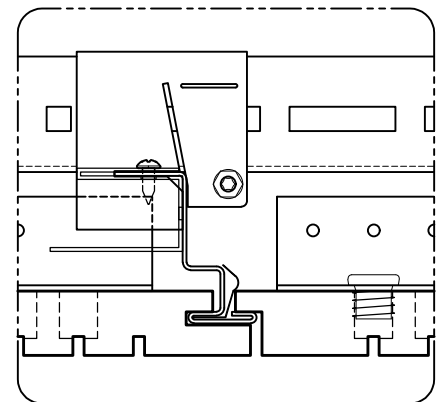


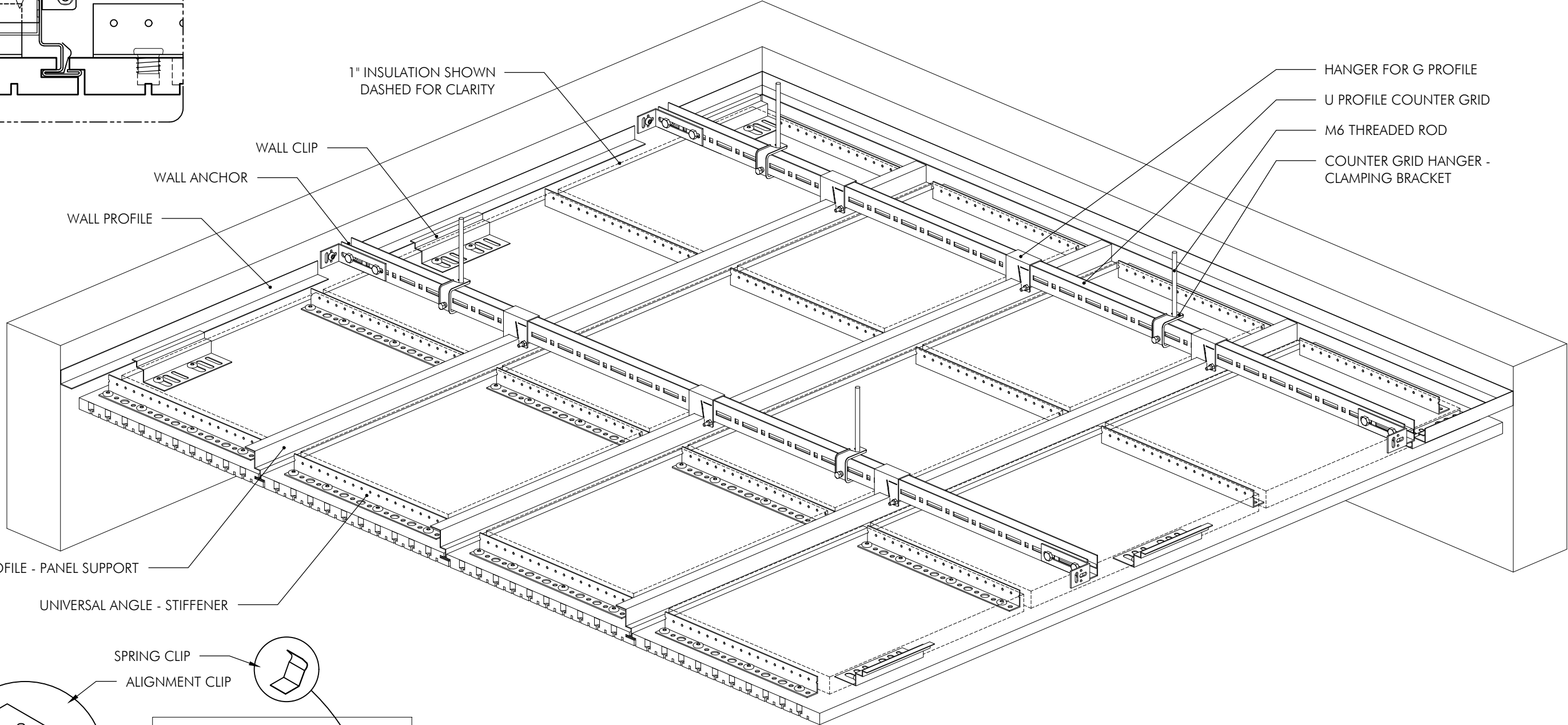
FIBERGLASS BACKING PER SPECIFICATION PROVIDED BY INSTALLER UNLESS NOTED OTHERWISE.



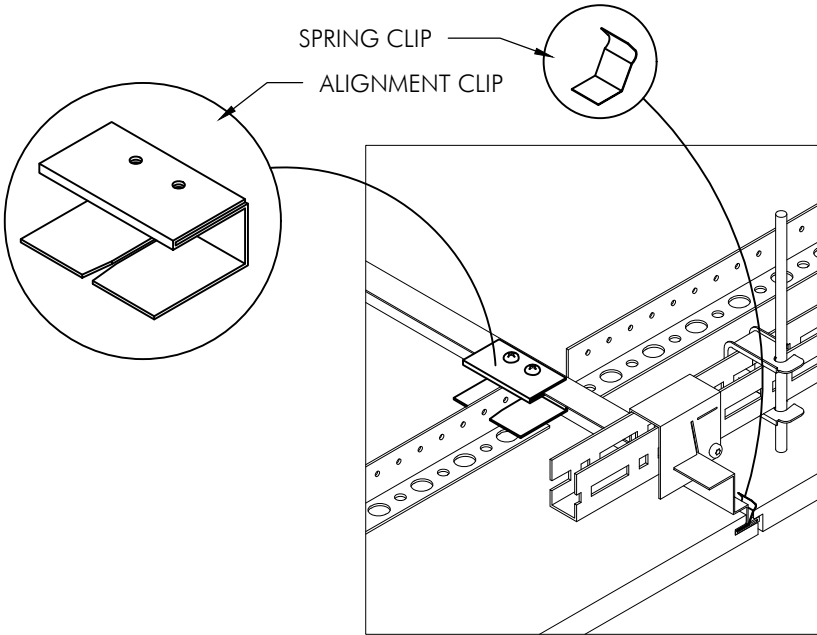
1" INSULATION SHOWN DASHED FOR CLARITY

- HANGER FOR G PROFILE
- U PROFILE COUNTER GRID
- M6 THREADED ROD
- COUNTER GRID HANGER - CLAMPING BRACKET

- WALL CLIP
- WALL ANCHOR
- WALL PROFILE



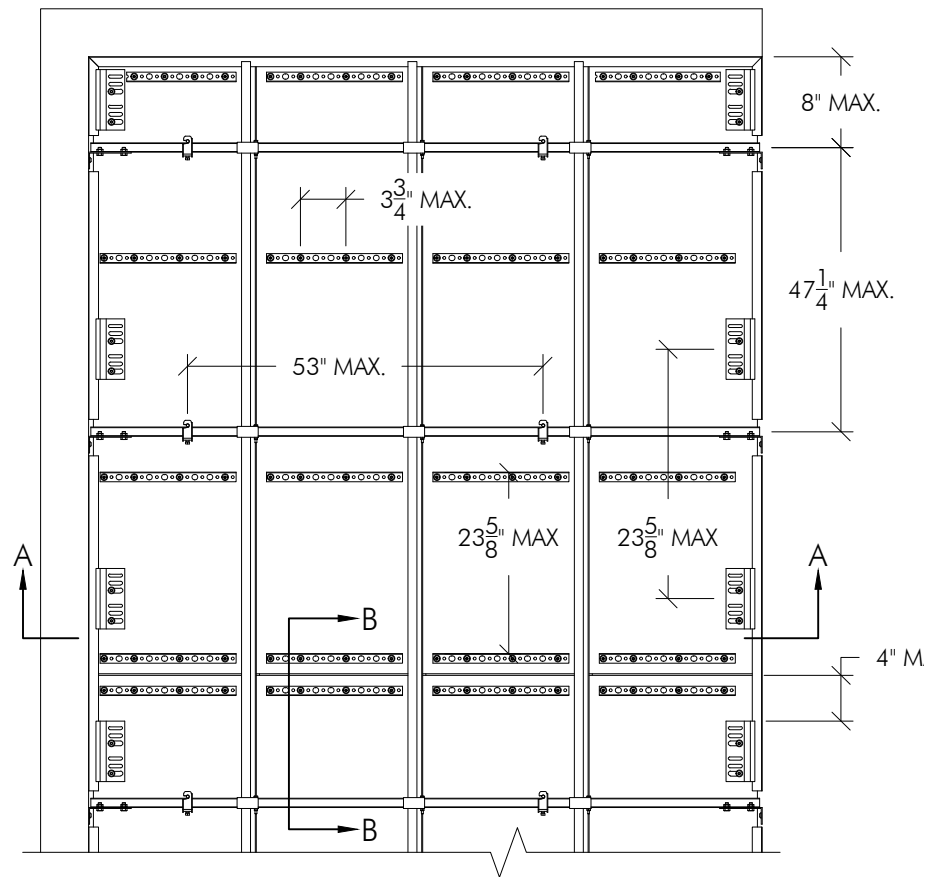
- G PROFILE - PANEL SUPPORT
- UNIVERSAL ANGLE - STIFFENER



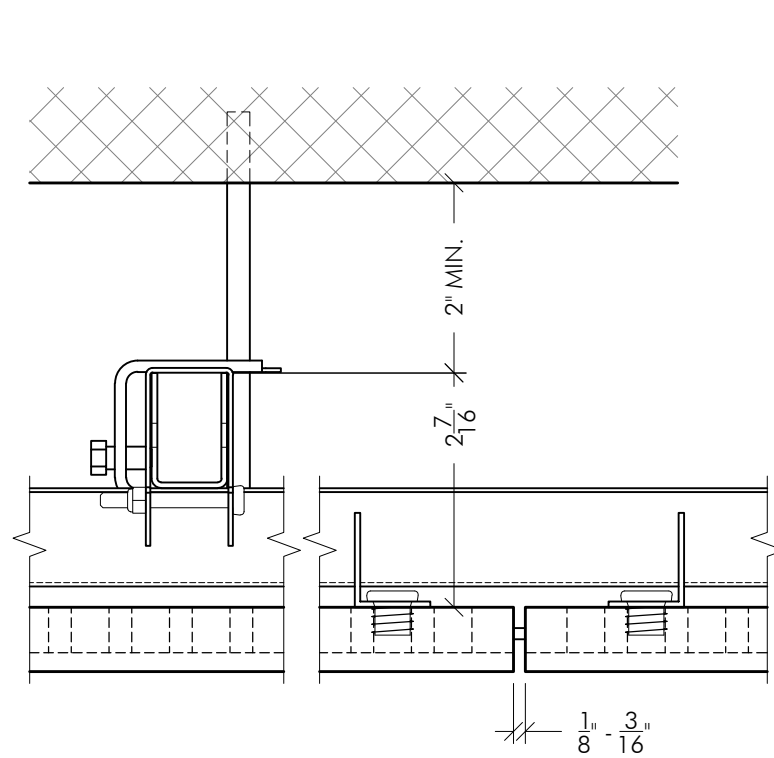
- SPRING CLIP
- ALIGNMENT CLIP

G GRID SYSTEM OVERVIEW - ISO VIEW	TOPAKUSTIK	SCALE:	NTS
	(410) 849-4333 www.topakustikusa.com	PAGE:	1/2
	Production Tolerance: ± 1/32" PER 36" of product	DRAWN BY:	WRM
		DATE:	03/30/2020
		3 rd ANG. PROJ	

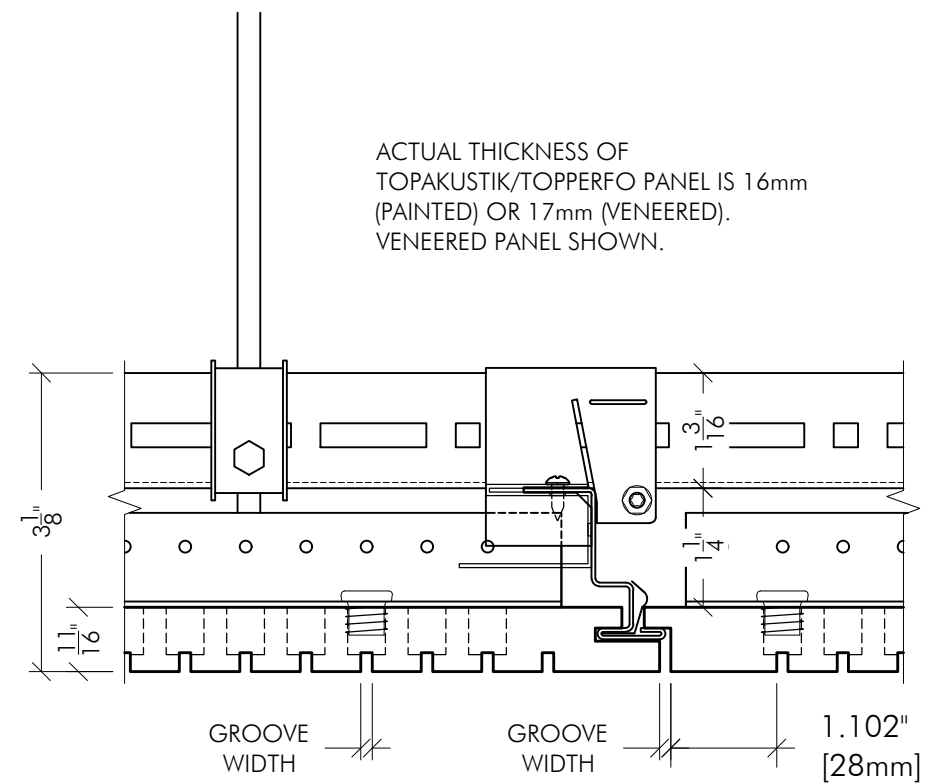
These drawings show typical installation conditions for Topakustik® and Topperfo® products. They do not account for the specific requirements of local building codes, laws, etc. that may be applicable for a particular installation. Topakustik® does not warrant, and assumes no liability for the accuracy or completeness of the drawings for a particular installation or their fitness for a particular purpose. The user is advised to consult with a duly licensed architect or engineer in the particular local of the installation to assure compliance with all legal requirements. Topakustik® is not licensed to provide professional engineering design services.



GRID PLAN $\frac{3}{4}'' = 1'-0''$

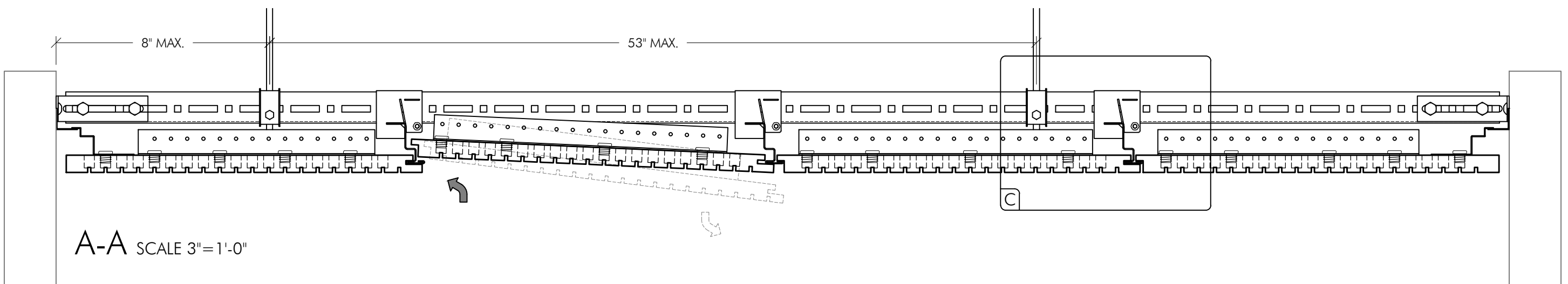


B-B SCALE $6'' = 1'-0''$



C SCALE $6'' = 1'-0''$

ACTUAL THICKNESS OF
TOPAKUSTIK/TOPPERFO PANEL IS 16mm
(PAINTED) OR 17mm (VENEERED).
VENEERED PANEL SHOWN.



A-A SCALE $3'' = 1'-0''$

MAX ELEMENT SPACING

COUNTER GRID HANGERS	- 47 $\frac{1}{4}$ " (1200mm) O.C. 8" FROM EDGE
G PROFILES	- 53" (1350mm) O.C.
WALL CLIPS	- 31 $\frac{1}{2}$ " (800mm) O.C.
STIFFENERS	- 23 $\frac{5}{8}$ " (600mm) O.C. 4" FROM EDGE
	- 23 $\frac{5}{8}$ " (600mm) O.C. 2" FROM EDGE

STIFFENER SCREWS	- 3 $\frac{3}{4}$ " (96mm) O.C.
STD PANEL LENGTH	- 109 $\frac{1}{2}$ " (2780mm)
PNL WIDTH STD MDF	- 31" (800mm) - IDEAL 25 $\frac{3}{8}$ " (640mm)
PNL WIDTH NAUF MDF	- 31" (800mm) - IDEAL 23 $\frac{3}{8}$ " (608mm)

(IDEAL PANEL WIDTH IS BASED ON MATERIAL YIELD AND PATTERN PITCH)

G GRID - TOPAKUSTIK PANELS
SYSTEM OVERVIEW - DETAILS

TOPAKUSTIK
(410) 849-4333 | www.topakustikusa.com
Production Tolerance: $\pm 1/32''$ PER 36" of product

SCALE:	NOTED
PAGE:	2/2
DRAWN BY:	WRM
DATE:	03/30/2020
3 rd ANG. PROJ.	

These drawings show typical installation conditions for Topakustik® and Topperfo® products. They do not account for the specific requirements of local building codes, laws, etc. that may be applicable for a particular installation. Topakustik® does not warrant, and assumes no liability for the accuracy or completeness of the drawings for a particular installation or their fitness for a particular purpose. The user is advised to consult with a duly licensed architect or engineer in the particular local of the installation to assure compliance with all legal requirements. Topakustik® is not licensed to provide professional engineering design services.