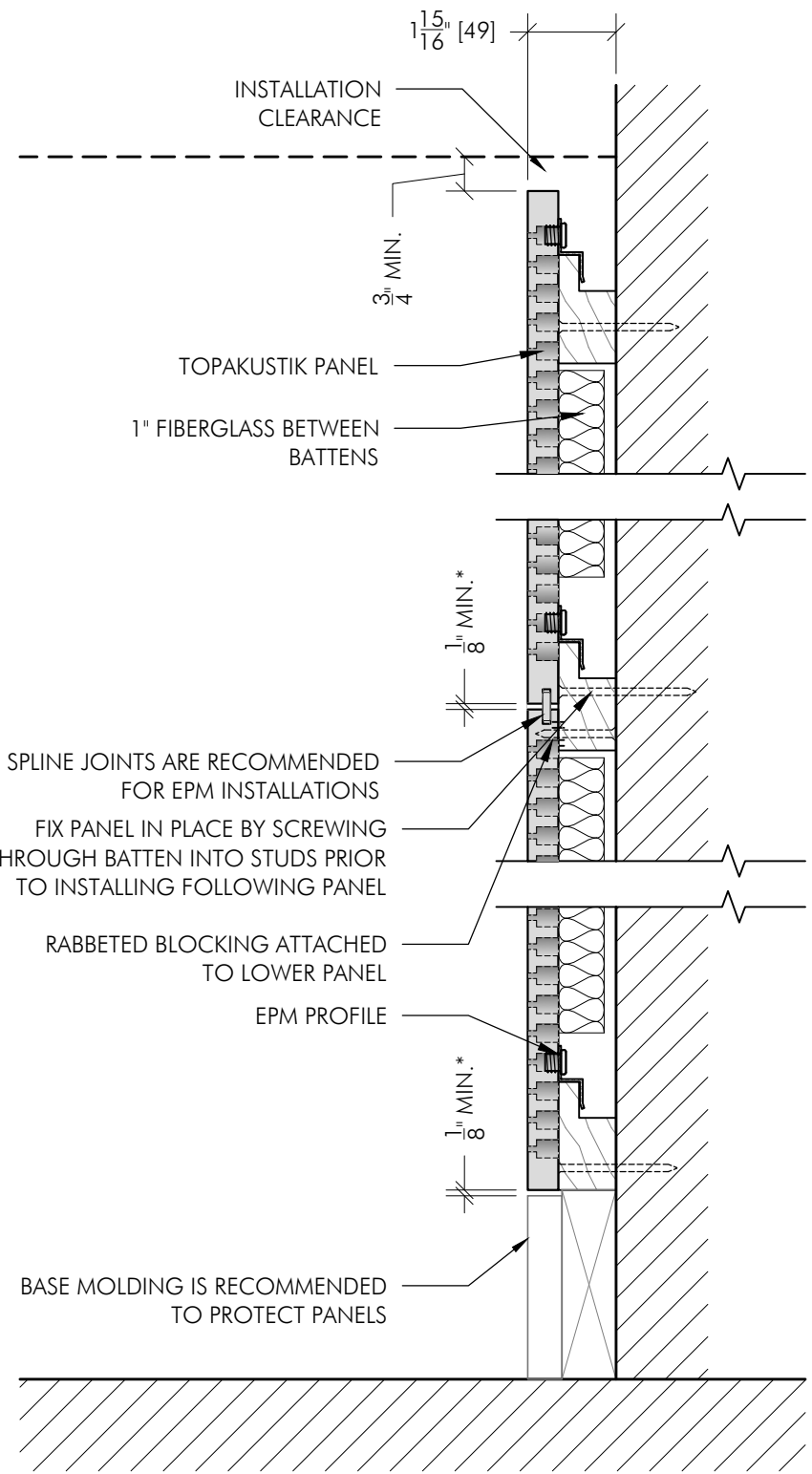
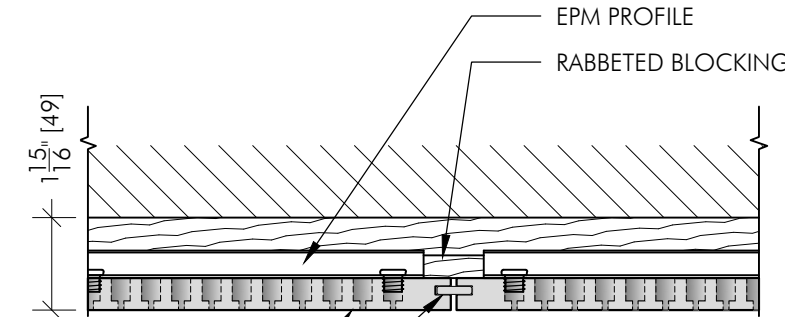
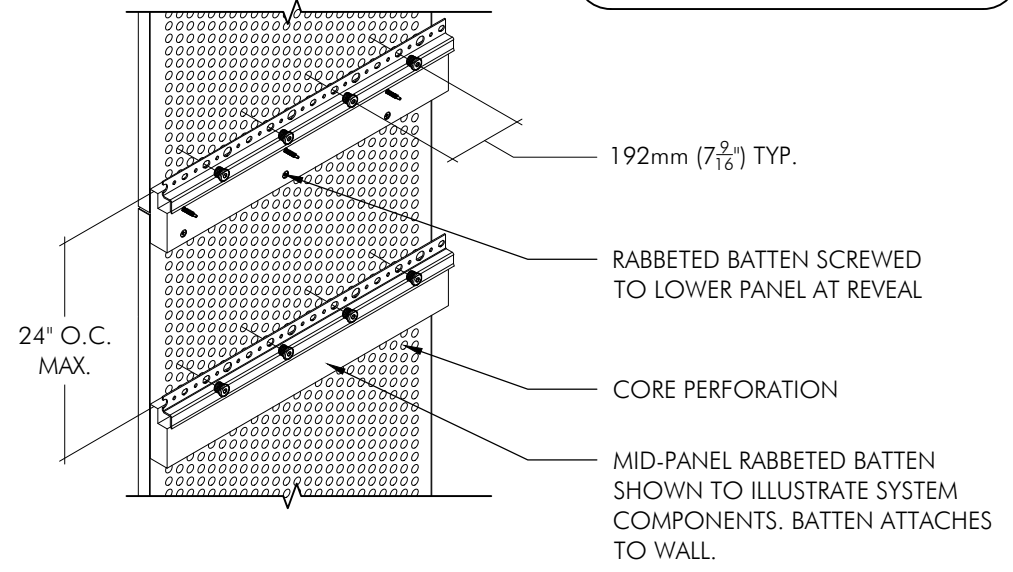
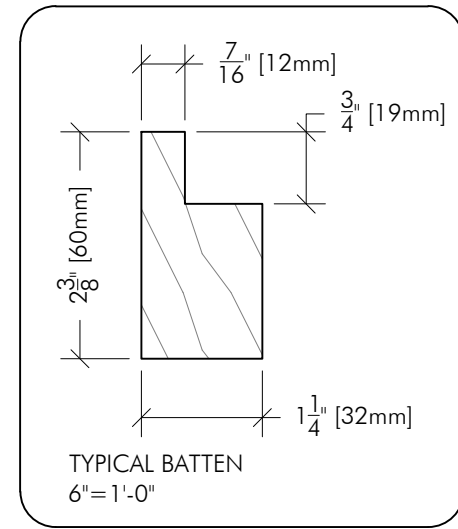


ELEVATION 1"=1'-0"



A-A 3"=1'-0"



B-B 3"=1'-0"

SPLINE JOINTS ALLOW CONTINUOUS SUPPORT BATTENS AND ELIMINATE NEED FOR REVEAL STRIPS

ACTUAL THICKNESS OF TOPAKUSTIK PANEL IS 16mm (5/8") PAINTED, OR 17mm (11/16") VENEERED. RABBETED BATTENS ARE AVAILABLE IN 32mm (1-1/4") OR 16mm (5/8") THICKNESS. ADDITIONAL SYSTEM THICKNESS FOR SHIMS MAY BE ADVISABLE TO ENSURE PLUMB AND FLAT FINISHED SURFACE.

*LARGER REVEALS WILL BE REQUIRED FOR PANELS ON 118" IN LENGTH.

TOPPERFO PANEL EPM WALL MOUNT	TOP(A)K(U)S(T)I(K)	SCALE: NOTED PAGE: 1/1 DRAWN BY: WRM
	(410) 849-4333 www.topakustikusa.com Production Tolerance: ±1/32" PER 36" of product	DATE: 04/09/2020 3 rd ANG. PROJ.

These drawings show typical installation conditions for Topakustik® and Topperfo® products. They do not account for the specific requirements of local building codes, laws, etc. that may be applicable for a particular installation. Topakustik® does not warrant, and assumes no liability for the accuracy or completeness of the drawings for a particular installation or their fitness for a particular purpose. The user is advised to consult with a duly licensed architect or engineer in the particular local of the installation to assure compliance with all legal requirements. Topakustik® is not licensed to provide professional engineering design services.