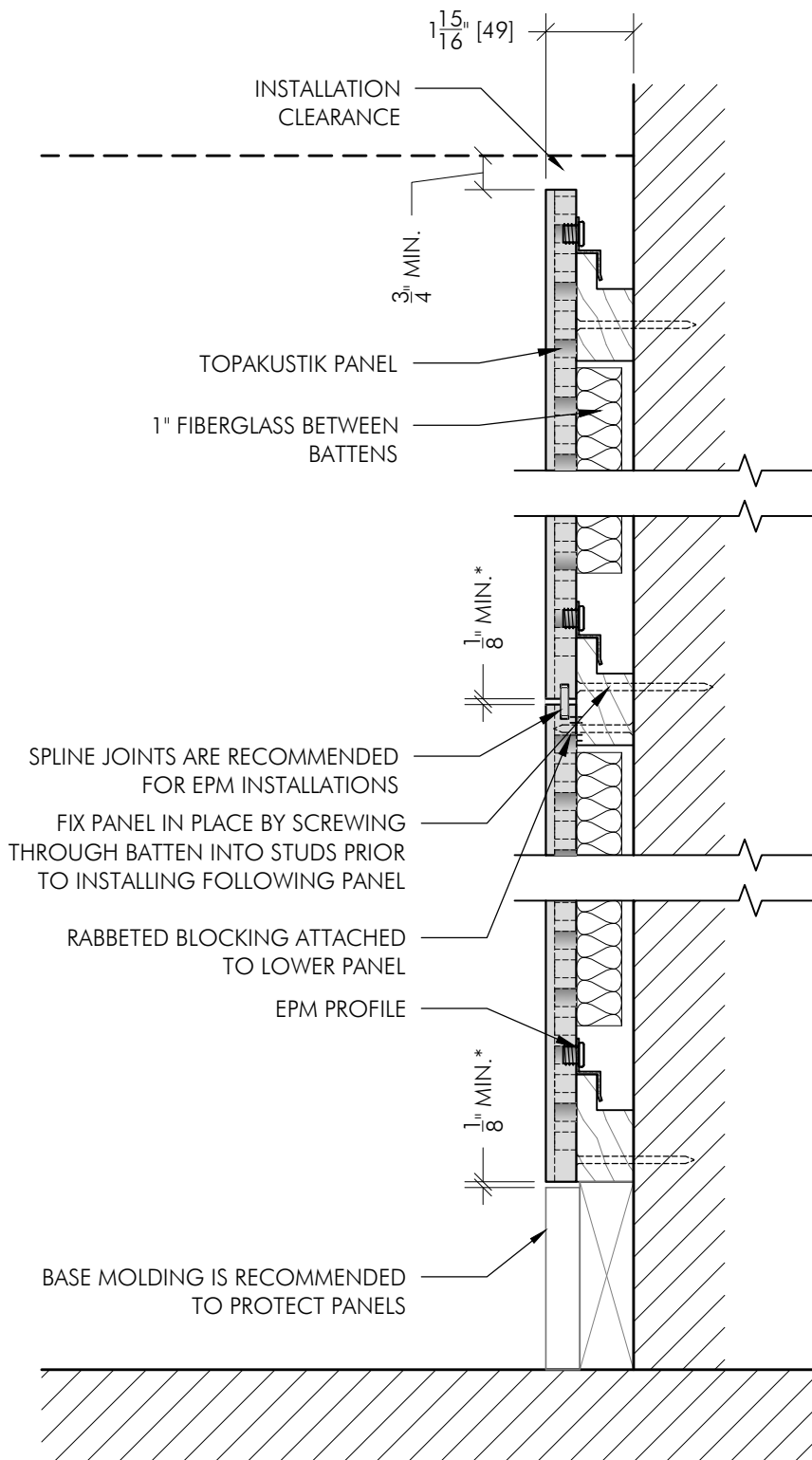
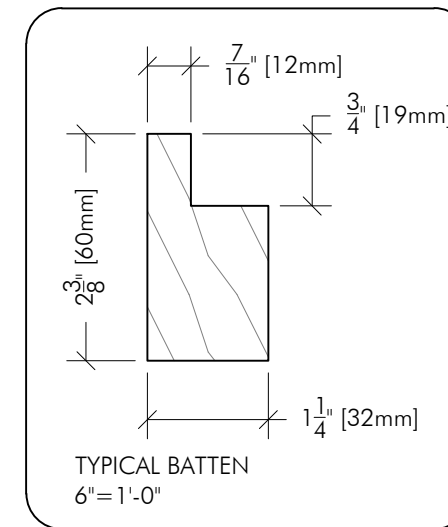


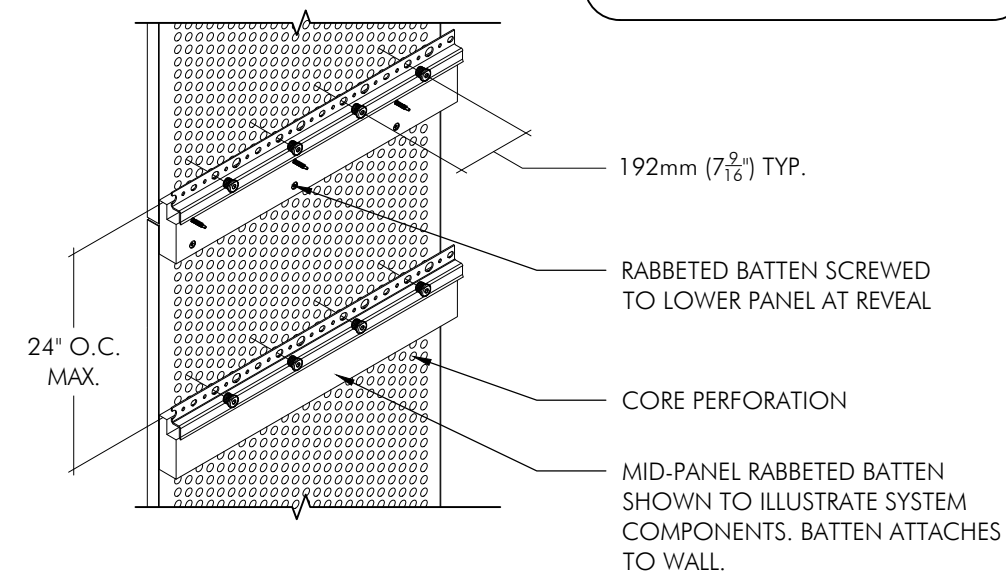
ELEVATION 1" = 1'-0"



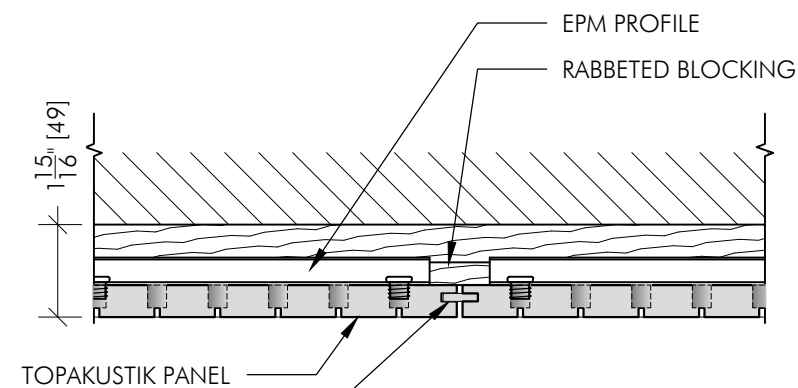
A-A 3" = 1'-0"



TYPICAL BATTEN  
6" = 1'-0"



SPLINE JOINTS ALLOW CONTINUOUS  
SUPPORT BATTENS AND ELIMINATE  
NEED FOR REVEAL STRIPS



B-B 3" = 1'-0"

ACTUAL THICKNESS OF TOPAKUSTIK PANEL IS 16mm (5/8") PAINTED, OR 17mm (11/16") VENEERED. RABBETED BATTENS ARE AVAILABLE IN 32mm (1-1/4") OR 16mm (5/8") THICKNESS. ADDITIONAL SYSTEM THICKNESS FOR SHIMS MAY BE ADVISABLE TO ENSURE PLUMB AND FLAT FINISHED SURFACE.

\*LARGER REVEALS WILL BE REQUIRED FOR PANELS ON 118" IN LENGTH.

TOPAKUSTIK PANEL

EPM WALL MOUNT

TOPAKUSTIK

(410) 849-4333 | www.topakustikusa.com

Production Tolerance: ±1/32" PER 36" OF PRODUCT

SCALE:	NOTED
PAGE:	1/1
DRAWN BY:	WRM
DATE:	04/09/2020
3 <sup>rd</sup> ANG. PROJ.	

These drawings show typical installation conditions for Topakustik® and Topperfo® products. They do not account for the specific requirements of local building codes, laws, etc. that may be applicable for a particular installation. Topakustik® does not warrant, and assumes no liability for the accuracy or completeness of the drawings for a particular installation or their fitness for a particular purpose. The user is advised to consult with a duly licensed architect or engineer in the particular local of the installation to assure compliance with all legal requirements. Topakustik® is not licensed to provide professional engineering design services.