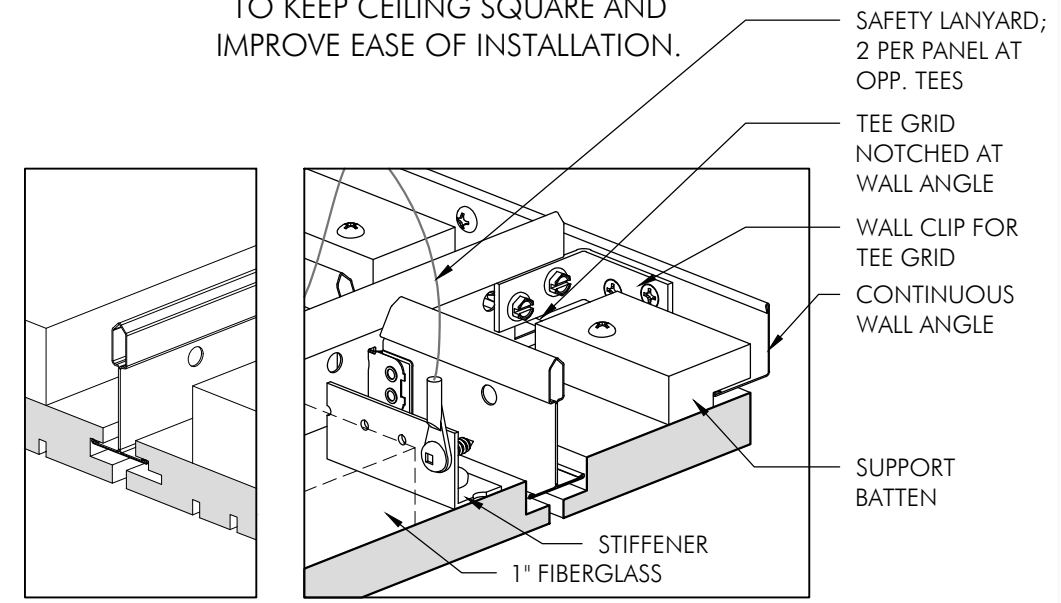
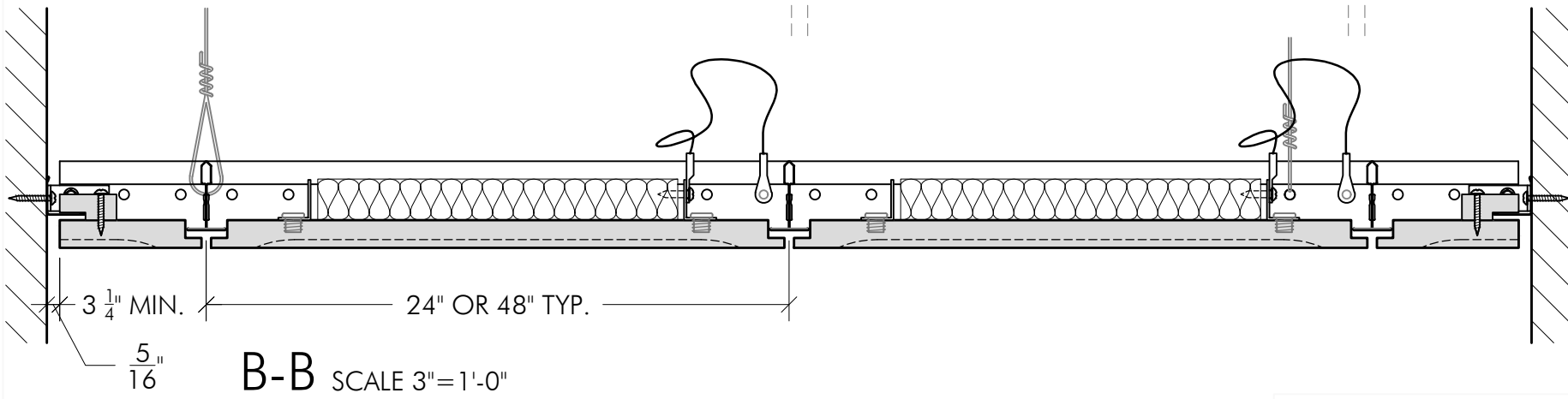
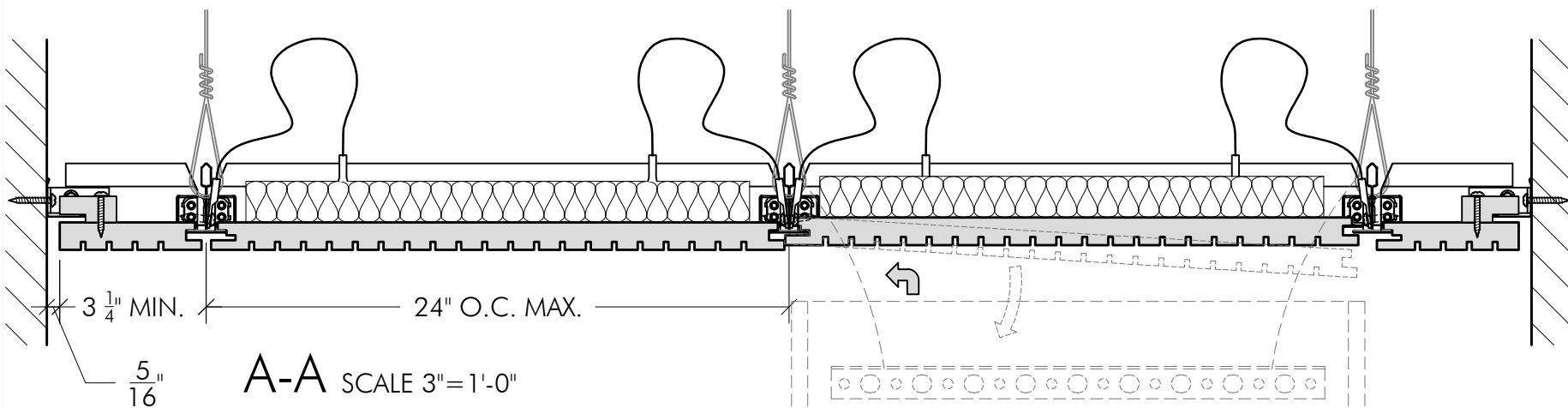
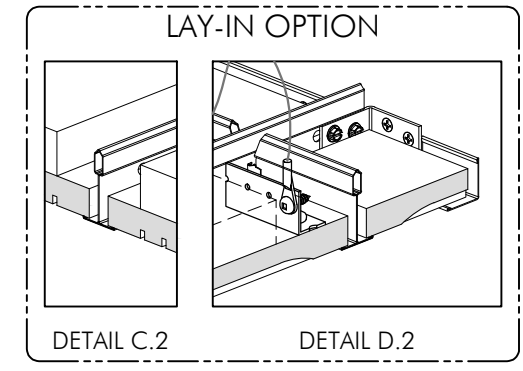
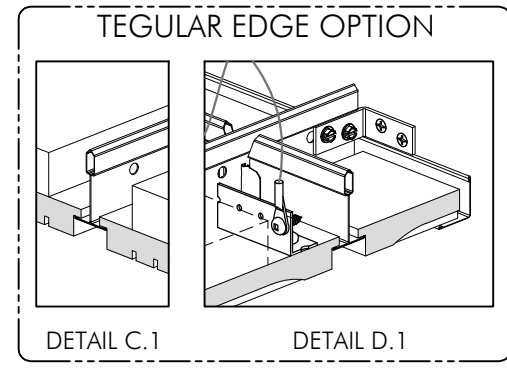


BRACING GRID AT 12' O.C. WILL HELP TO KEEP CEILING SQUARE AND IMPROVE EASE OF INSTALLATION.



DETAIL C

DETAIL D



NOTE:
 24" x 48" PANELS AVAILABLE AS STANDARD OPTION.
 PERIMETER PANELS TYPICALLY CUT TO FIT ON SITE.
 GRID AND FIBERGLASS TYPICALLY PROVIDED BY INSTALLER.
 USE FIBERGLASS PER SPECIFICATION.

TOPAKUSTIK PANELS TEE GRID INSTALLATION	TOP(A)K(U)S(T)I(K)	SCALE: NOTED PAGE: 1/1 DRAWN BY: WRM DATE: 03/31/2020
	(410) 849-4333 www.topakustikusa.com Production Tolerance: ±1/32" PER 36" of product	3 rd ANG. PROJ.