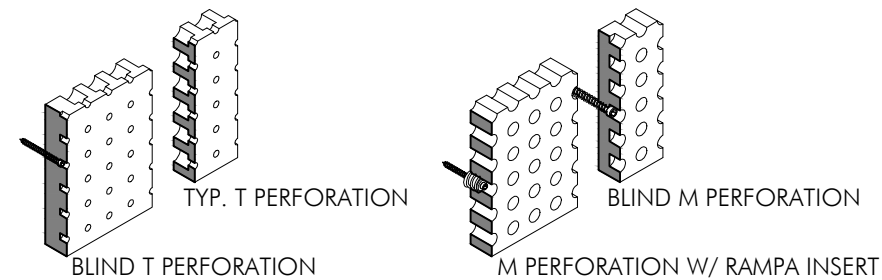


ELEVATION 1"=1'-0"

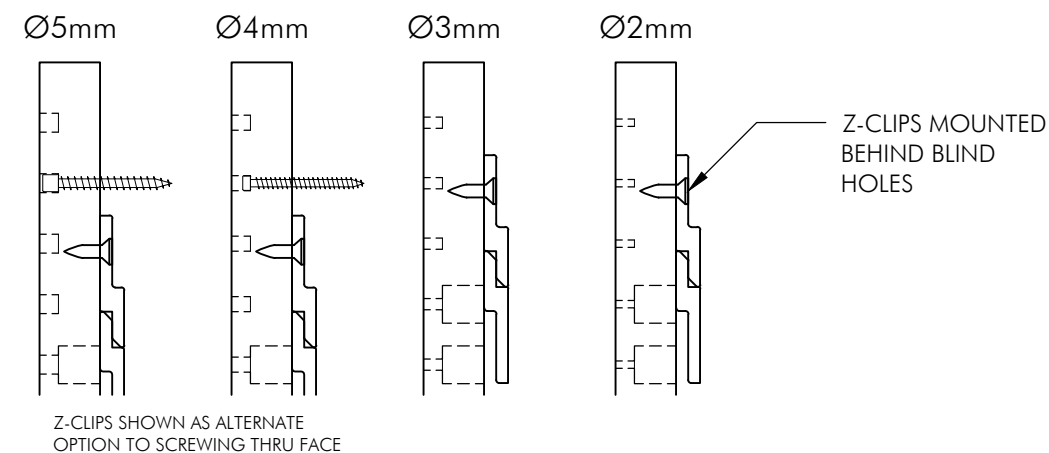
A-A 3"=1'-0"

SYSTEM SHOWN WITH TOTAL THICKNESS OF 2" ACHIEVED WITH 1" THICK BLOCKING SHIMMED PLUMB AND FLAT. ACTUAL MATERIAL USED IS DETERMINED BY INSTALLER. ACTUAL THICKNESS OF TOPPERFO PANEL IS 16mm (PAINTED) OR 17mm VENEERED. USE FIBERGLASS PER SPECIFICATION (SUPPLIED BY INSTALLER UNLESS NOTED OTHERWISE).



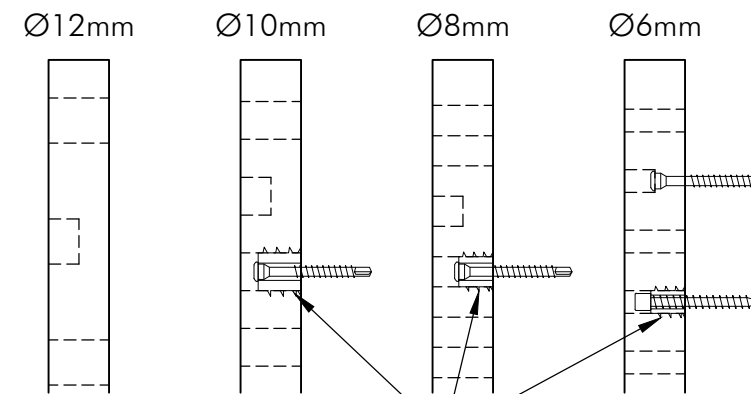
T PERFORATIONS

USE PN: 2.24.1045 FOR 4mm HOLES
 USE PN: 2.24.1056 FOR 5mm HOLES
 SCREWS NOT AVAILABLE FOR PERFORATIONS < 4mm



M PERFORATIONS

USE ANY DESIRED SCREW FOR LARGER DIAMETER HOLES. SCREW HEAD WILL BE MORE VISIBLE IN LARGER HOLES.
 USE PN: 2.24.1056 FOR 5mm HOLES
 USE PN: 2.24.1060 FOR 6mm HOLES



USE RAMPA INSERTS IN 6mm, 8mm OR 10mm M PERFORATIONS TO OMIT BLIND HOLES AND PLACE FASTENERS FREELY

TOPPERFO PANELS

BLIND HOLE WALL MOUNT

TOP(A)K(U)S(T)I(K)

(410) 849-4333 | www.topakustikusa.com

Production Tolerance: ±1/32" PER 36" of product

SCALE:	NOTED
PAGE:	1/1
DRAWN BY:	WRM
DATE:	03/24/2016
3 rd ANG. PROJ.	

These drawings show typical installation conditions for Topakustik® and Topperfo® products. They do not account for the specific requirements of local building codes, laws, etc. that may be applicable for a particular installation. Topakustik® does not warrant, and assumes no liability for the accuracy or completeness of the drawings for a particular installation or their fitness for a particular purpose. The user is advised to consult with a duly licensed architect or engineer in the particular local of the installation to assure compliance with all legal requirements. Topakustik® is not licensed to provide professional engineering design services.