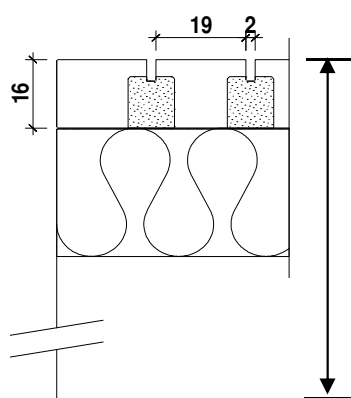


## Acoustical Absorption Coefficient according to ISO 354

Object: TOPAKUSTIK® wall- and ceiling panelling  
type TOPAKUSTIK® 19/2 M 6%

Research: Laboratory: Hochschule Luzern 14.07.2015  
Test area: 12 m<sup>2</sup> Relative atmospheric humidity: 52.6%  
Echo space volume: 214.5 m<sup>3</sup> Temperature: 23.6 degrees



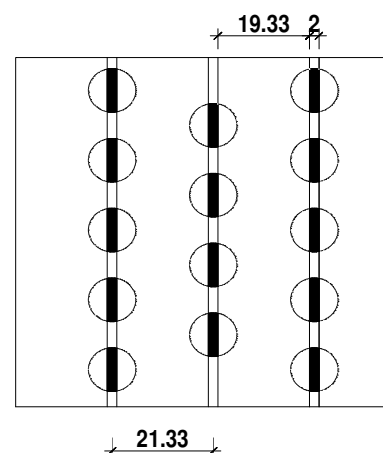
TOPAKUSTIK® 19/2 M, 6 %

Acoustic fleece SP 60 F

Mineral wool 30 mm

60 kg / m<sup>3</sup>

Suspension heights:  
216/56 mm



## Acoustical Absorption - Medium values

Low frequency range: (100-315 Hz): 0.72

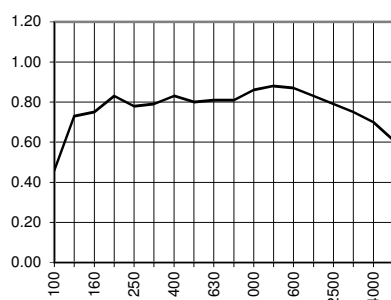
Medium frequency range: (400-1250 Hz): 0.83

High frequency range: (1600-5000 Hz): 0.76

Freq.

| [Hz] | Terz |
|------|------|
| 100  | 0.46 |
| 125  | 0.73 |
| 160  | 0.75 |
| 200  | 0.83 |
| 250  | 0.78 |
| 315  | 0.79 |
| 400  | 0.83 |
| 500  | 0.80 |
| 630  | 0.81 |
| 800  | 0.81 |
| 1000 | 0.86 |
| 1250 | 0.88 |
| 1600 | 0.87 |
| 2000 | 0.83 |
| 2500 | 0.79 |
| 3150 | 0.75 |
| 4000 | 0.70 |
| 5000 | 0.61 |

## Suspension height 216 mm



**a<sub>w</sub>** 0.85 (B)  
**NRC** 0.82

## Acoustical Absorption - Medium values

Low frequency range: (100-315 Hz): 0.49

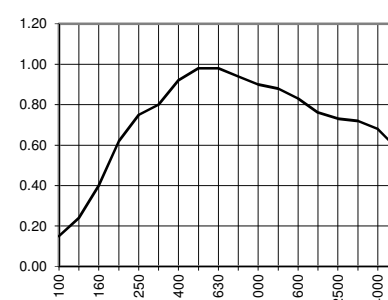
Medium frequency range: (400-1250 Hz): 0.93

High frequency range: (1600-5000 Hz): 0.72

Freq.

| [Hz] | Terz |
|------|------|
| 100  | 0.15 |
| 125  | 0.24 |
| 160  | 0.40 |
| 200  | 0.62 |
| 250  | 0.75 |
| 315  | 0.80 |
| 400  | 0.92 |
| 500  | 0.98 |
| 630  | 0.98 |
| 800  | 0.94 |
| 1000 | 0.90 |
| 1250 | 0.88 |
| 1600 | 0.83 |
| 2000 | 0.76 |
| 2500 | 0.73 |
| 3150 | 0.72 |
| 4000 | 0.68 |
| 5000 | 0.58 |

## Suspension height 56 mm



**a<sub>w</sub>** 0.80 M (B)  
**NRC** 0.85