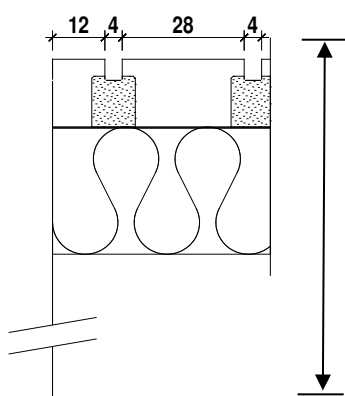


## Acoustical Absorption Coefficient according to ISO 354

Object: TOPAKUSTIK® wall- and ceiling panelling  
type TOPAKUSTIK® R 10.7%  
RP4 = panel with groove 4 mm

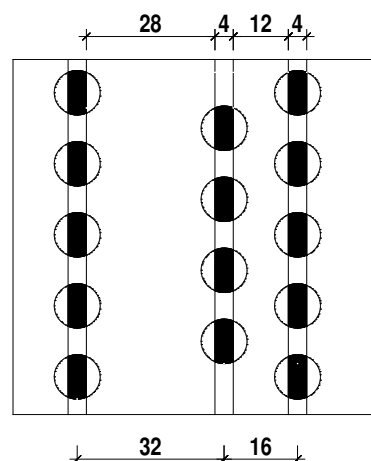
Research: Laboratory: EMPA, Dübendorf 21.12.2017  
Test area: 12 m<sup>2</sup> Relative atmospheric humidity: 57.8%  
Echo space volume: 215 m<sup>3</sup> Temperature: 21.3° C

**TOPAKUSTIK® RP4 M, 10.7 %**

Acoustic fleece SP 60 F

Mineral wool 30 mm, 60 kg / m<sup>3</sup>**Suspension heights:****216/56 mm**

Cavity 170/10 mm



## Acoustical Absorption - Medium values

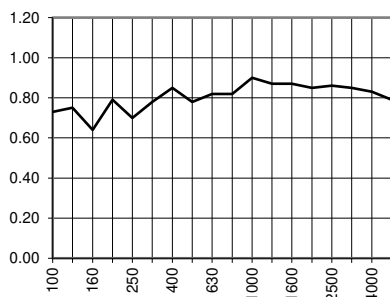
Low frequency range: (100-315 Hz): 0.73

Medium frequency range: (400-1250 Hz): 0.84

High frequency range: (1600-5000 Hz): 0.84

Freq.

[Hz]	Terz
100	0.73
125	0.75
160	0.64
200	0.79
250	0.70
315	0.78
400	0.85
500	0.78
630	0.82
800	0.82
1000	0.90
1250	0.87
1600	0.87
2000	0.85
2500	0.86
3150	0.85
4000	0.83
5000	0.79

**Suspension height 216 mm**

**a<sub>w</sub> 0.85**  
**EN B**  
**NRC 0.81**

## Acoustical Absorption - Medium values

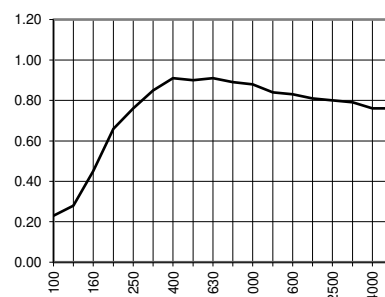
Low frequency range: (100-315 Hz): 0.54

Medium frequency range: (400-1250 Hz): 0.89

High frequency range: (1600-5000 Hz): 0.79

Freq.

[Hz]	Terz
100	0.23
125	0.28
160	0.45
200	0.66
250	0.76
315	0.85
400	0.91
500	0.90
630	0.91
800	0.89
1000	0.88
1250	0.84
1600	0.83
2000	0.81
2500	0.80
3150	0.79
4000	0.76
5000	0.76

**Suspension height 56 mm**

**a<sub>w</sub> 0.85**  
**EN B**  
**NRC 0.84**