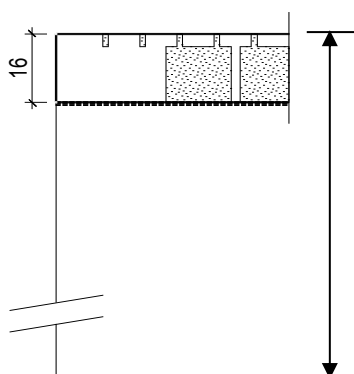


Acoustical Absorption Coefficient according to ISO 354

Object: TOPPERFO® wall- and ceiling panelling  
Type TOPPERFO® CLOU 8/8/1.2

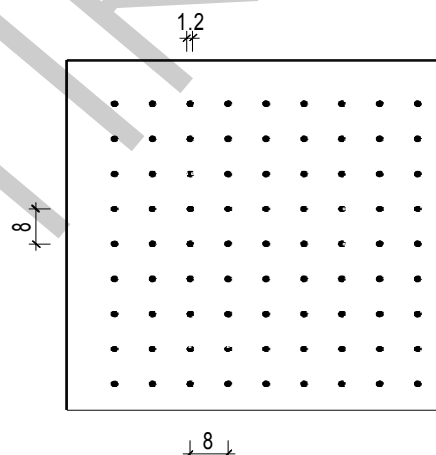


Research: Laboratory: SWISSCOM AG 09.02.1998  
Test area: 4.08 m<sup>2</sup> Relative atmospheric humidity: 50%  
Echo space volume: 214.3 m<sup>3</sup> Temperature: 19 degrees



CLOU 8/8/1.2  
Acoustic fleece

**Suspension heights:**  
**216/56 mm**  
Cavity 200/40 mm



Acoustical Absorption - Medium values

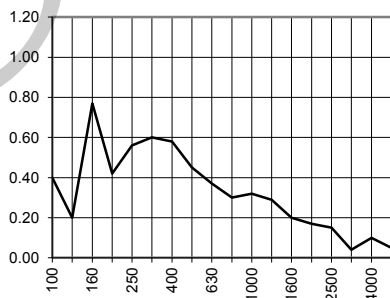
Low frequency range (100-315 Hz): 0.49  
Medium frequency range (400-1250 Hz): 0.39  
High frequency range (1600-5000 Hz): 0.12

Acoustical Absorption - Medium values

Low frequency range (100-315 Hz): 0.33  
Medium frequency range (400-1250 Hz): 0.56  
High frequency range (1600-5000 Hz): 0.08

Freq. [Hz]	Terz
100	0.40
125	0.20
160	0.77
200	0.42
250	0.56
315	0.60
400	0.58
500	0.45
630	0.37
800	0.30
1000	0.32
1250	0.29
1600	0.20
2000	0.17
2500	0.15
3150	0.04
4000	0.10
5000	0.05

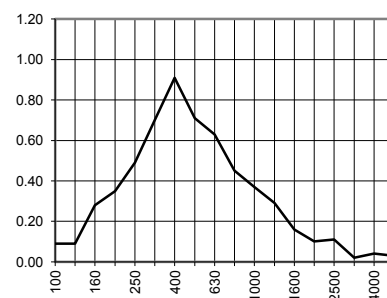
**Suspension height 216 mm**



**NRC**  
**0.38**

Freq. [Hz]	Terz
100	0.09
125	0.09
160	0.28
200	0.35
250	0.49
315	0.70
400	0.91
500	0.71
630	0.63
800	0.45
1000	0.37
1250	0.29
1600	0.16
2000	0.10
2500	0.11
3150	0.02
4000	0.04
5000	0.03

**Suspension height 56 mm**



**NRC**  
**0.42**