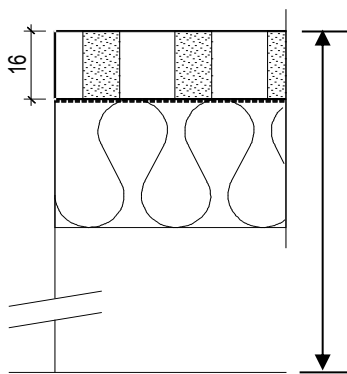
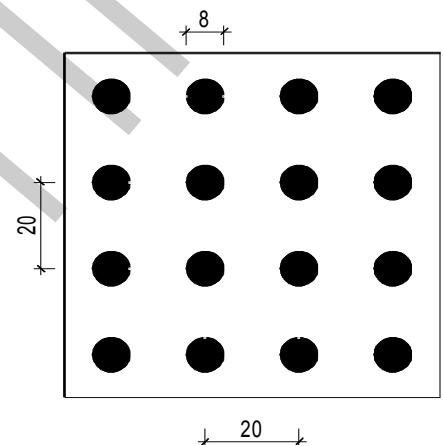


Acoustical Absorption Coefficient according to ISO 354

Object: TOPPERFO® wall- and ceiling panelling
Type TOPPERFO® M 20/20/8 12%Research: Laboratory: SWISSCOM AG
Test area: 12 m²
Echo space volume: 214.3 m³11.08.2000
Relative atmospheric humidity: 57%
Temperature: 19 degreesTOPPERFO® M 20/20/8
Acoustic fleece

Mineral wool 30 mm

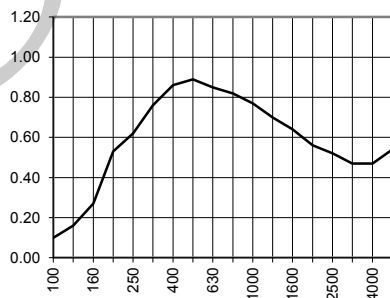
Suspension height:
56 mm
Cavity 10 mm

Acoustical Absorption - Medium values

Low frequency range (100-315 Hz): 0.41
Medium frequency range (400-1250 Hz): 0.82
High frequency range (1600-5000 Hz): 0.53

Freq.

[Hz]	Terz
100	0.10
125	0.16
160	0.27
200	0.53
250	0.62
315	0.76
400	0.86
500	0.89
630	0.85
800	0.82
1000	0.77
1250	0.70
1600	0.64
2000	0.56
2500	0.52
3150	0.47
4000	0.47
5000	0.54

Suspension height 56 mm**NRC**
0.71