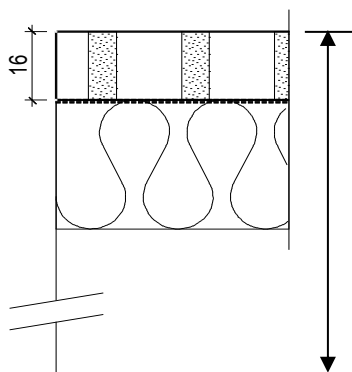


Acoustical Absorption according to ISO 354

Object: TOPPERFO® wall- and ceiling panelling
Type TOPPERFO® M 20/20/6 7%



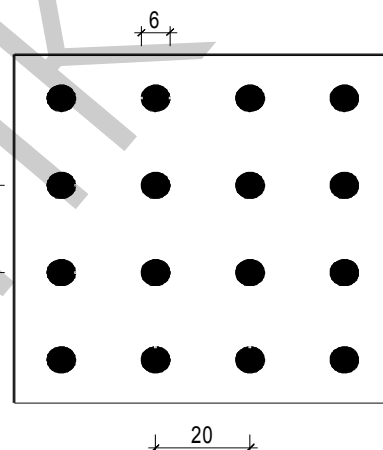
Research: Laboratory: SWISSCOM AG 11.08.2000
Test area: 12 m² Relative atmospheric humidity: 58%
Echo space volume: 214.3 m³ Temperature: 19 degrees



TOPPERFO® M 20/20/6
Acoustic fleece

Mineral wool 30 mm

Suspension heights:
216/76 mm
Cavity 170/30 mm



Acoustical Absorption - Medium values

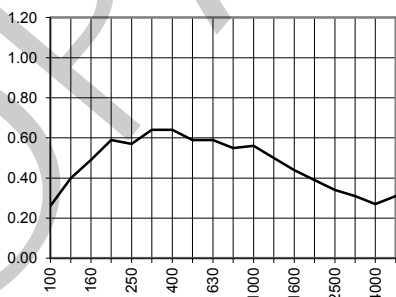
Low frequency range: (100-315 Hz): 0.49
Medium frequency range: (400-1250 Hz): 0.57
High frequency range: (1600-5000 Hz): 0.34

Acoustical Absorption - Medium values

Low frequency range: (100-315 Hz): 0.42
Medium frequency range: (400-1250 Hz): 0.63
High frequency range: (1600-5000 Hz): 0.35

Freq. [Hz]	Terz
100	0.26
125	0.40
160	0.49
200	0.59
250	0.57
315	0.64
400	0.64
500	0.59
630	0.59
800	0.55
1000	0.56
1250	0.50
1600	0.44
2000	0.39
2500	0.34
3150	0.31
4000	0.27
5000	0.31

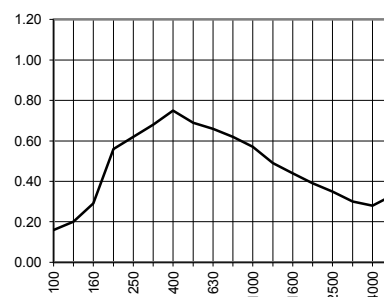
Suspension height 216 mm



NRC
0.53

Freq. [Hz]	Terz
100	0.16
125	0.20
160	0.29
200	0.56
250	0.62
315	0.68
400	0.75
500	0.69
630	0.66
800	0.62
1000	0.57
1250	0.49
1600	0.44
2000	0.39
2500	0.35
3150	0.30
4000	0.28
5000	0.33

Suspension height 76 mm



NRC
0.57