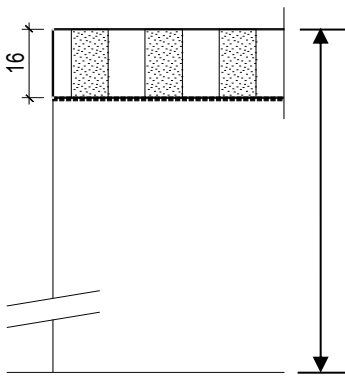


Acoustical Absorption Coefficient according to ISO 354

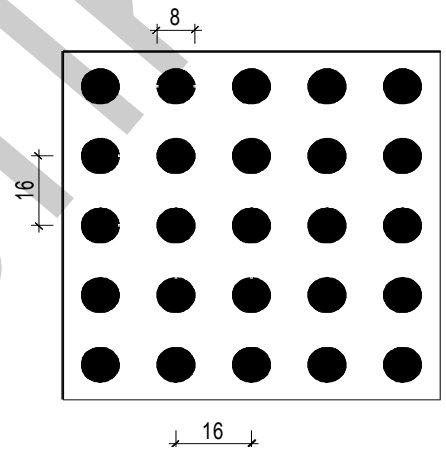
Object: TOPPERFO® wall- and ceiling panelling  
Type TOPPERFO® M 16/16/8 19%

Research: Laboratory: ITA 19.12.1994  
Test area: 10 m<sup>2</sup> Relative atmospheric humidity: 80%  
Echo space volume: 218 m<sup>3</sup> Temperature: 13 degrees



TOPPERFO® M 16/16/8  
Acoustic fleece

Suspension heights:  
216/46 mm  
Cavity 200/25 mm

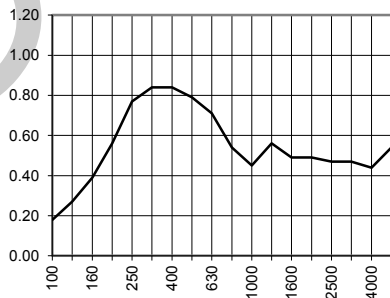


Acoustical Absorption - Medium values

Low frequency range (100-315 Hz): 0.50  
Medium frequency range (400-1250 Hz): 0.65  
High frequency range (1600-5000 Hz): 0.48

Freq. [Hz]	Terz
100	0.18
125	0.27
160	0.39
200	0.56
250	0.77
315	0.84
400	0.84
500	0.79
630	0.71
800	0.54
1000	0.45
1250	0.56
1600	0.49
2000	0.49
2500	0.47
3150	0.47
4000	0.44
5000	0.54

Suspension height 216 mm



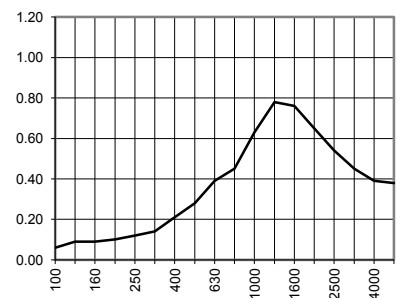
**NRC**  
**0.63**

Acoustical Absorption - Medium values

Low frequency range (100-315 Hz): 0.10  
Medium frequency range (400-1250 Hz): 0.46  
High frequency range (1600-5000 Hz): 0.53

Freq. [Hz]	Terz
100	0.06
125	0.09
160	0.09
200	0.10
250	0.12
315	0.14
400	0.21
500	0.28
630	0.39
800	0.45
1000	0.63
1250	0.78
1600	0.76
2000	0.65
2500	0.54
3150	0.45
4000	0.39
5000	0.38

Suspension height 46 mm



**NRC**  
**0.42**