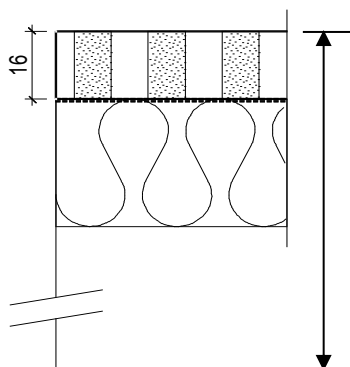


Acoustical Absorption Coefficient according to ISO 354

Object: TOPPERFO® wall- and ceiling panelling
Type TOPPERFO® M 16/16/8 19%

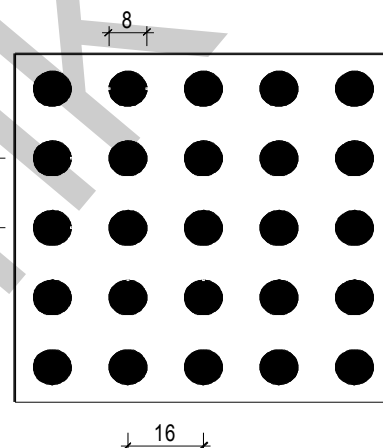
Research: Laboratory: ITA 19.12.1994
Test area: 10 m² Relative atmospheric humidity: 80%
Echo space volume: 218 m³ Temperature: 13 degrees



TOPPERFO® M 16/16/8
Acoustic fleece

Mineral wool 30 mm

Suspension heights:
216/46 mm
Cavity 170/00 mm



Acoustical Absorption - Medium values

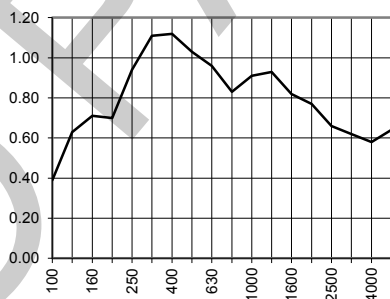
Low frequency range: (100-315 Hz): 0.75
Medium frequency range: (400-1250 Hz): 0.96
High frequency range: (1600-5000 Hz): 0.68

Acoustical Absorption - Medium values

Low frequency range: (100-315 Hz): 0.31
Medium frequency range: (400-1250 Hz): 1.00
High frequency range: (1600-5000 Hz): 0.69

Freq. [Hz]	Terz
100	0.39
125	0.63
160	0.71
200	0.70
250	0.94
315	1.11
400	1.12
500	1.03
630	0.96
800	0.83
1000	0.91
1250	0.93
1600	0.82
2000	0.77
2500	0.66
3150	0.62
4000	0.58
5000	0.64

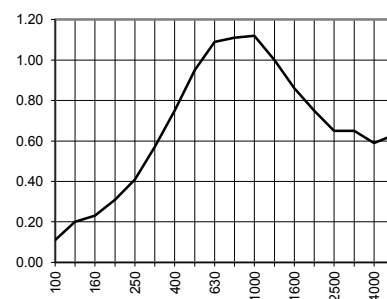
Suspension height 216 mm



EN C **alpha_w** **NRC**
0.75 (LM) **0.91**

Freq. [Hz]	Terz
100	0.11
125	0.20
160	0.23
200	0.31
250	0.41
315	0.57
400	0.75
500	0.95
630	1.09
800	1.11
1000	1.12
1250	1.00
1600	0.86
2000	0.75
2500	0.65
3150	0.65
4000	0.59
5000	0.63

Suspension height 46 mm



EN C **alpha_w** **NRC**
0.70 (M) **0.81**