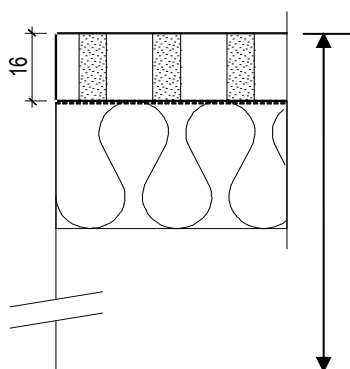


Acoustical Absorption Coefficient according to ISO 354

Object: TOPPERFO® wall- and ceiling panelling
Type TOPPERFO® M 16/16/6 11%



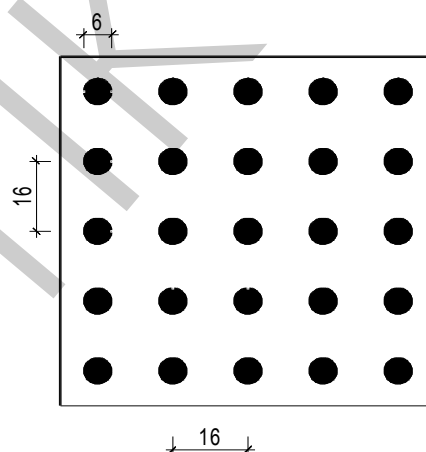
Research: Laboratory: ITA 19.12.1994
Test area: 10 m² Relative atmospheric humidity: 80%
Echo space volume: 218 m³ Temperature: 13 degrees



TOPPERFO® M 16/16/6
Acoustic fleece

Mineral wool 30 mm

Suspension heights:
216/46 mm
Cavity 170/00 mm



Acoustical absorption - Medium values

Low frequency range: (100-315 Hz): 0.71
Medium frequency range: (400-1250 Hz): 0.84
High frequency range: (1600-5000 Hz): 0.44

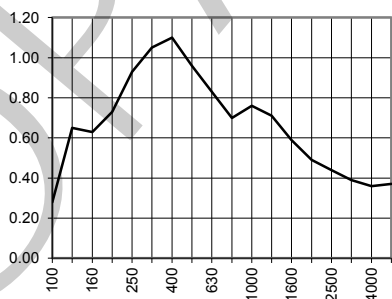
Acoustical absorption - Medium values

Low frequency range: (100-315 Hz): 0.34
Medium frequency range: (400-1250 Hz): 0.95
High frequency range: (1600-5000 Hz): 0.43

Freq.

| [Hz] | Terz |
|------|------|
| 100 | 0.28 |
| 125 | 0.65 |
| 160 | 0.63 |
| 200 | 0.73 |
| 250 | 0.93 |
| 315 | 1.05 |
| 400 | 1.10 |
| 500 | 0.96 |
| 630 | 0.83 |
| 800 | 0.70 |
| 1000 | 0.76 |
| 1250 | 0.71 |
| 1600 | 0.59 |
| 2000 | 0.49 |
| 2500 | 0.44 |
| 3150 | 0.39 |
| 4000 | 0.36 |
| 5000 | 0.37 |

Suspension height 216 mm

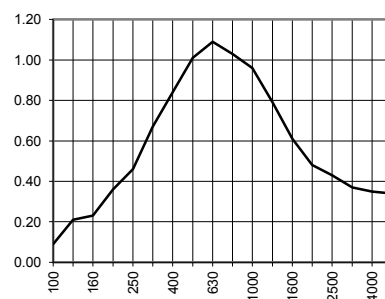


EN **alpha_w** **NRC**
D 0.50 (LM) 0.79

Freq.

| [Hz] | Terz |
|------|------|
| 100 | 0.09 |
| 125 | 0.21 |
| 160 | 0.23 |
| 200 | 0.36 |
| 250 | 0.46 |
| 315 | 0.67 |
| 400 | 0.84 |
| 500 | 1.01 |
| 630 | 1.09 |
| 800 | 1.03 |
| 1000 | 0.96 |
| 1250 | 0.79 |
| 1600 | 0.61 |
| 2000 | 0.48 |
| 2500 | 0.43 |
| 3150 | 0.37 |
| 4000 | 0.35 |
| 5000 | 0.34 |

Suspension height 46 mm



EN **alpha_w** **NRC**
D 0.50 (M) 0.73