

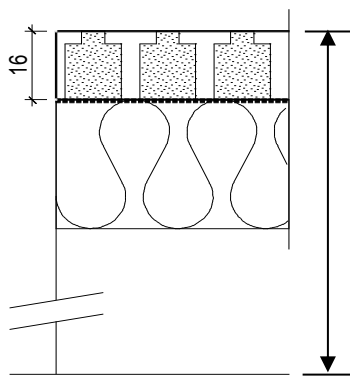
Acoustical Absorption Coefficient according to ISO 354

Object: TOPPERFO® wall- and ceiling panelling
Type TOPPERFO® T 16/16/10-4Research: Laboratory: SWISSCOM AG
Test area: 12 m²
Echo space volume: 214.3 m³

01.06.2007

Relative atmospheric humidity: 50%

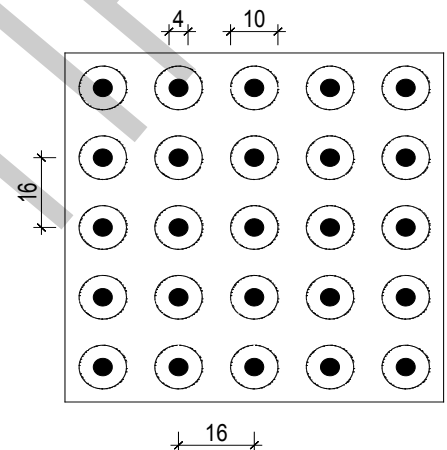
Temperature: 20 degree

TOPPERFO® T 16/16/10-4
Acoustic fleece

Mineral wool 30 mm

Suspension height:**56 mm**

Cavity 10 mm



Acoustical Absorption - Medium values

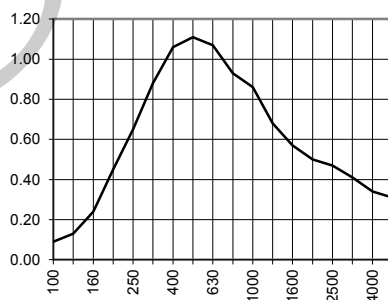
Low frequency range (100-315 Hz): 0.41

Medium frequency range (400-1250 Hz): 0.95

High frequency range (1600-5000 Hz): 0.43

Freq.

[Hz]	Terz
100	0.09
125	0.13
160	0.24
200	0.45
250	0.65
315	0.88
400	1.06
500	1.11
630	1.07
800	0.93
1000	0.86
1250	0.68
1600	0.57
2000	0.50
2500	0.47
3150	0.41
4000	0.34
5000	0.31

Suspension height 56 mm**NRC****0.78**