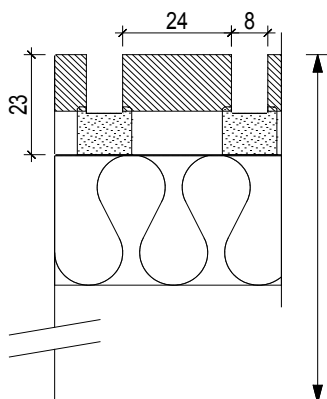
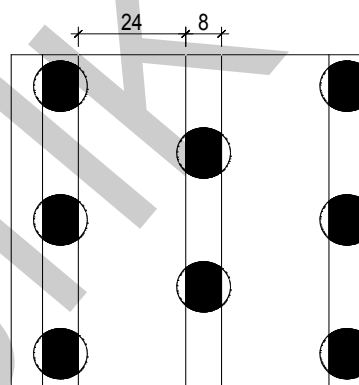


Acoustical Absorption Coefficient according to ISO 354

Object: TOPAKUSTIK® wall- and ceiling panelling  
Type TOPAKUSTIK® **Aria 24/8M** **9.3%**Research: Laboratory: SWISSCOM 09.12.2008  
Test area: 12 m<sup>2</sup> Relative atmospheric humidity: 36.5 %  
Echo space volume: 214.3 m<sup>3</sup> Temperature: 22.7 degreesTOPAKUSTIK® Aria 24/8 M  
Acoustic fleece

Mineral wool 30 mm

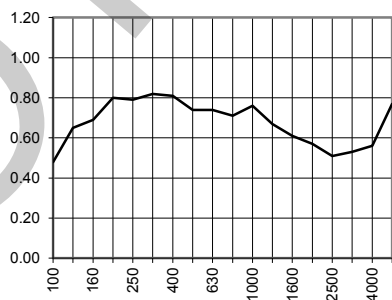
**Suspension heights:**  
**223/83 mm**  
Cavity 170/30 mm

Acoustical Absorption - Medium values

Low frequency range: (100-315 Hz): 0.71  
Medium frequency range: (400-1250 Hz): 0.74  
High frequency range: (1600-5000 Hz): 0.59

Freq.

[Hz]	Terz
100	0.48
125	0.65
160	0.69
200	0.80
250	0.79
315	0.82
400	0.81
500	0.74
630	0.74
800	0.71
1000	0.76
1250	0.67
1600	0.61
2000	0.57
2500	0.51
3150	0.53
4000	0.56
5000	0.77

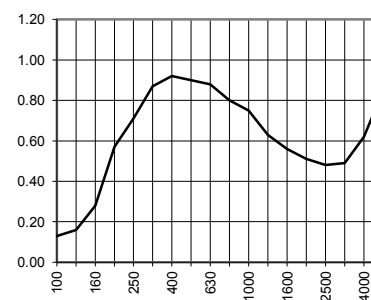
**Suspension height 223 mm****EN** **alpha\_w** **NRC**  
**C** **0.65(L)** **0.72**

Acoustical Absorption - Medium values

Low frequency range: (100-315 Hz): 0.45  
Medium frequency range: (400-1250 Hz): 0.81  
High frequency range: (1600-5000 Hz): 0.59

Freq.

[Hz]	Terz
100	0.13
125	0.16
160	0.28
200	0.57
250	0.71
315	0.87
400	0.92
500	0.90
630	0.88
800	0.80
1000	0.75
1250	0.63
1600	0.56
2000	0.51
2500	0.48
3150	0.49
4000	0.62
5000	0.85

**Suspension height 83 mm****EN** **alpha\_w** **NRC**  
**C** **0.60 (LM)** **0.72**