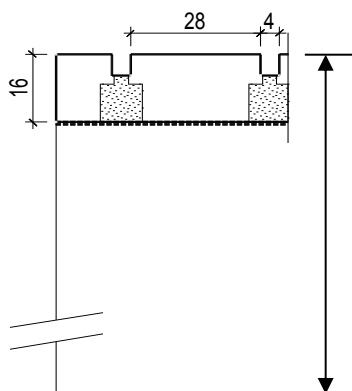


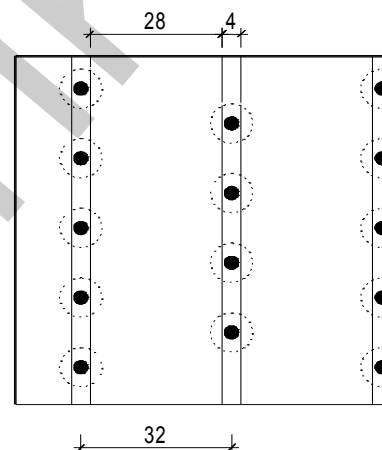
Acoustical Absorption Coefficient according to ISO 354

Object: TOPAKUSTIK® wall- and ceiling panelling
Type TOPAKUSTIK® 28/4 T 12 / 1.4 %

Research: Laboratory: SWISSCOM AG 31.05.2007 / 01.06.2007
 Test area: 12 m² Relative atmospheric humidity: 50.6%
 Echo space volume: 214.3 m³ Temperature: 20 degrees

TOPAKUSTIK® 28/4 T
Acoustic fleece

Suspension heights:
216/76 mm
 Cavity 200/60 mm

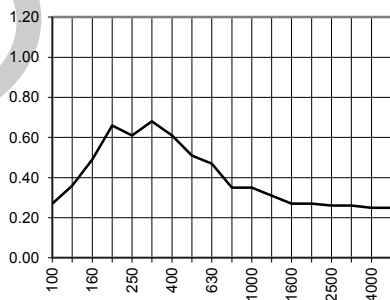


Acoustical Absorption - Medium values

Low frequency range (100-315 Hz): 0.51
 Medium frequency range (400-1250 Hz): 0.43
 High frequency range (1600-5000 Hz): 0.26

Freq.

[Hz]	Terz
100	0.27
125	0.36
160	0.49
200	0.66
250	0.61
315	0.68
400	0.61
500	0.51
630	0.47
800	0.35
1000	0.35
1250	0.31
1600	0.27
2000	0.27
2500	0.26
3150	0.26
4000	0.25
5000	0.25

Suspension height 216 mm

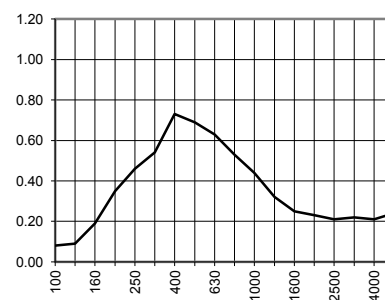
NRC
0.44

Acoustical Absorption - Medium values

Low frequency range (100-315 Hz): 0.29
 Medium frequency range (400-1250 Hz): 0.56
 High frequency range (1600-5000 Hz): 0.23

Freq.

[Hz]	Terz
100	0.08
125	0.09
160	0.19
200	0.35
250	0.46
315	0.54
400	0.73
500	0.69
630	0.63
800	0.53
1000	0.44
1250	0.32
1600	0.25
2000	0.23
2500	0.21
3150	0.22
4000	0.21
5000	0.24

Suspension height 76 mm

NRC
0.46