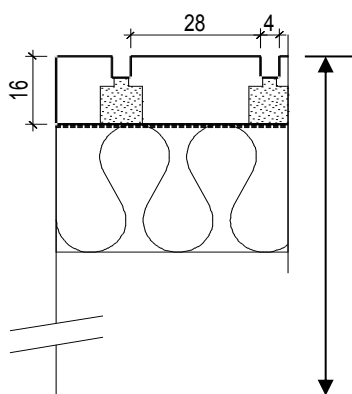
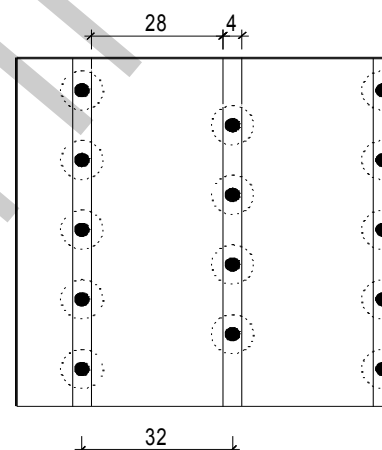


Acoustical Absorption Coefficient according to ISO 354

Objet: TOPAKUSTIK® wall- and ceiling panelling
Type TOPAKUSTIK® 28/4 T 15 / 1.4 %Research: Laboratory: SWISSCOM AG 11.08.2000
Test area: 12 m² Relative atmospheric humidity: 57%
Echo space volume: 214.3 m³ Temperature: 19 degreesTOPAKUSTIK® 28/4 T
Acoustic fleece

Mineral wool 30 mm

Suspension heights:
216/76 mm
Cavity 170/30 mm

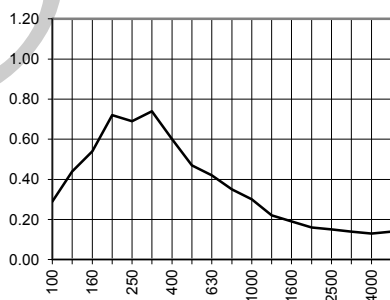
Acoustical absorption - Medium values

Low frequency range: (100-315 Hz): 0.57
Medium frequency range: (400-1250 Hz): 0.39
High frequency range: (1600-5000 Hz): 0.15

Freq.

[Hz]	Terz
100	0.29
125	0.44
160	0.54
200	0.72
250	0.69
315	0.74
400	0.60
500	0.47
630	0.42
800	0.35
1000	0.30
1250	0.22
1600	0.19
2000	0.16
2500	0.15
3150	0.14
4000	0.13
5000	0.14

Suspension height 216 mm

NRC
0.41

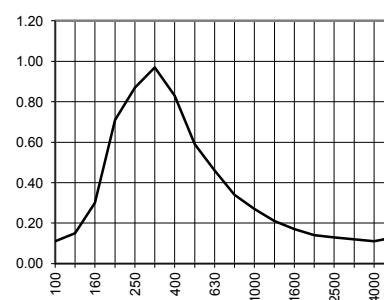
Acoustical Absorption - Medium values

Low frequency range: (100-315 Hz): 0.52
Medium frequency range: (400-1250 Hz): 0.45
High frequency range: (1600-5000 Hz): 0.13

Freq.

[Hz]	Terz
100	0.11
125	0.15
160	0.30
200	0.71
250	0.87
315	0.97
400	0.83
500	0.59
630	0.46
800	0.34
1000	0.27
1250	0.21
1600	0.17
2000	0.14
2500	0.13
3150	0.12
4000	0.11
5000	0.13

Suspension height 76 mm

NRC
0.47

TOPAKKUSTIK®