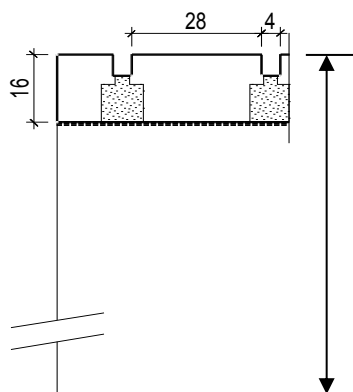
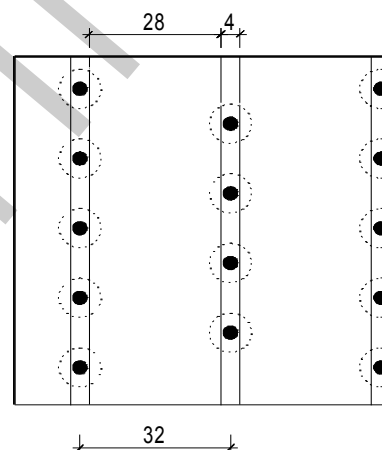


Acoustical Absorption Coefficient according to ISO 354

Objet: TOPAKUSTIK® wall- and ceiling panelling
Type TOPAKUSTIK® 28/4 T 12 / 1.4 %

Research: Laboratory: SWISSCOM AG 01.06.2007
 Test area: 12 m² Relative atmospheric humidity: 49.3%
 Echo space volume: 214.3 m³ Temperature: 20 degrees

TOPAKUSTIK® 28/4 T
Acoustic fleeceSuspension height:
56 mm
Cavity 40 mm

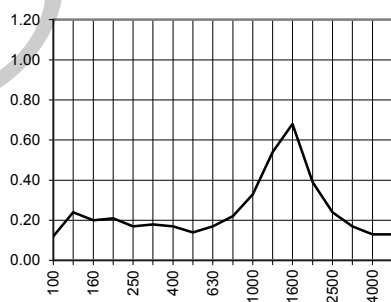
Acoustical Absorption - Medium values

Low frequency range: (100-315 Hz): 0.26
 Medium frequency range: (400-1250 Hz): 0.57
 High frequency range: (1600-5000 Hz): 0.22

Freq.

[Hz]	Terz
100	0.07
125	0.09
160	0.20
200	0.32
250	0.42
315	0.48
400	0.71
500	0.70
630	0.64
800	0.54
1000	0.46
1250	0.35
1600	0.27
2000	0.25
2500	0.20
3150	0.19
4000	0.20
5000	0.21

Suspension height 56 mm

NRC
0.46

TOPAKKUSTIK®