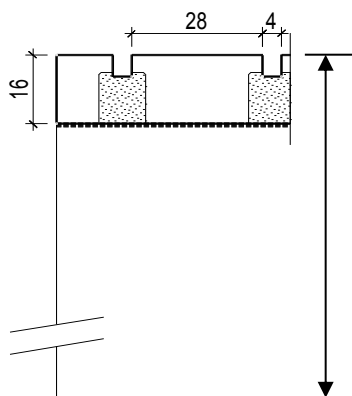
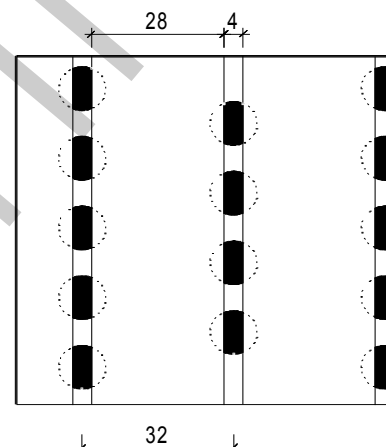


Acoustical Absorption Coefficient according to ISO 354

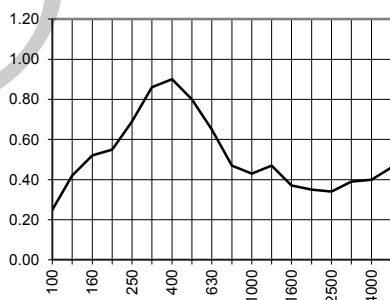
Object: TOPAKUSTIK® wall- and ceiling panelling
Type TOPAKUSTIK® 28/4 M 7.5%Research: Laboratory: ITA
Test area: 10 m²
Echo space volume: 218 m³19.12.1994
Relative atmospheric humidity: 80%
Temperature: 13 degreesTOPAKUSTIK® 28/4 M
Acoustic fleeceSuspension heights:
216/41 mm
Cavity 200/25 mm

Acoustical Absorption - Medium values

Low frequency range (100-315 Hz): 0.55
Medium frequency range (400-1250 Hz): 0.62
High frequency range (1600-5000 Hz): 0.39

Freq.	[Hz]	Terz
100	0.25	
125	0.42	
160	0.52	
200	0.55	
250	0.69	
315	0.86	
400	0.90	
500	0.80	
630	0.65	
800	0.47	
1000	0.43	
1250	0.47	
1600	0.37	
2000	0.35	
2500	0.34	
3150	0.39	
4000	0.40	
5000	0.46	

Suspension height 216 mm

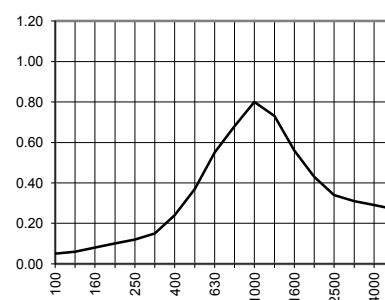
**NRC**
0.57

Acoustical Absorption - Medium values

Low frequency range (100-315 Hz): 0.09
Medium frequency range (400-1250 Hz): 0.56
High frequency range (1600-5000 Hz): 0.37

Freq.	[Hz]	Terz
100	0.05	
125	0.06	
160	0.08	
200	0.10	
250	0.12	
315	0.15	
400	0.24	
500	0.37	
630	0.55	
800	0.68	
1000	0.80	
1250	0.73	
1600	0.56	
2000	0.43	
2500	0.34	
3150	0.31	
4000	0.29	
5000	0.27	

Suspension height 41 mm

**NRC**
0.43