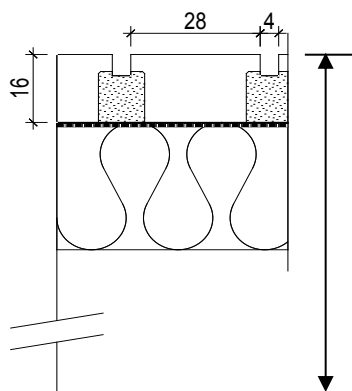


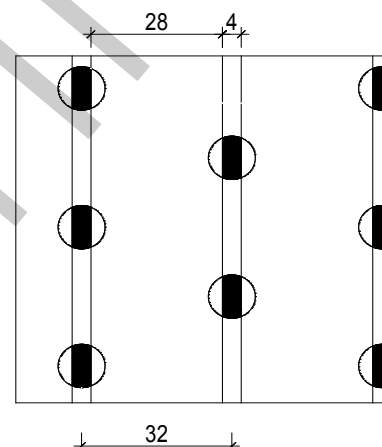
Acoustical Absorption Coefficient according to ISO 354

Object: TOPAKUSTIK® wall- and ceiling panelling  
Type TOPAKUSTIK® 28/4 M 4.7%

Research: Laboratory: SWISSCOM AG 03.02.2004  
 Test area: 12 m<sup>2</sup> Relative atmospheric humidity: 28.9%  
 Echo volume space: 214.3 m<sup>3</sup> Temperature: 19.5 degrees

TOPAKUSTIK® 28/4 M  
Acoustic fleece

Mineral wool 30 mm

Suspension height:  
56 mm  
Cavity 10 mm

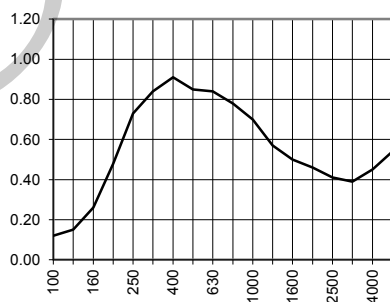
Acoustical Absorption - Medium values

Low frequency range (100-315 Hz): 0.43  
 Medium frequency range (400-1250 Hz): 0.78  
 High frequency range (1600-5000 Hz): 0.46

Freq.

[Hz]	Terz
100	0.12
125	0.15
160	0.26
200	0.48
250	0.73
315	0.84
400	0.91
500	0.85
630	0.84
800	0.78
1000	0.70
1250	0.57
1600	0.50
2000	0.46
2500	0.41
3150	0.39
4000	0.45
5000	0.54

Suspension height 56 mm

NRC  
0.69